

# GLOBAL DELFOR

**BASED ON DELFOR - DELIVERY SCHEDULE MESSAGE  
UN D.04A S3**

Version: JAI 1.1  
Variant: 2009 Vitesco Technologies  
Issue date: 01.03.2010  
Author: Vitesco Technologies

## CONTENTS

1 Message Structure .....	3
2 Branching Diagram .....	5
3 Segments.....	13
4 Example .....	77

1. STRUCTURE / TABLE OF CONTENTS

Tag	St	MaxOcc	Content	
UNA	C	1	Service string advice	UNA:+.? '
UNB	M	1	Interchange header	UNB+UNOC:3+OD012345:59:123+987654321:1 :X+071205:1446+144659+++++1'
UNH	M	1	Message header	UNH+123456+DELFOR:D:04A:UN:GA0511'
BGM	M	1	Beginning of message	BGM+241:::text+231234:02:A+5'
DTM	R	1	Document Issue Date	DTM+137:20040523:102'
DTM	O	1	Calculation Date	DTM+161:20040523:102'
DTM	O	1	Effective From Date	DTM+158:20040101:102'
DTM	O	1	Effective To Date	DTM+159:20041231:102'
DTM	O	1	Validity Start Date	DTM+157:20040101:102'
DTM	O	1	Expiry Date	DTM+36:20040101:102'
FTX	O	5	Terms of delivery	FTX+AAR+++Inco-Terms:::X+DE'
SG1	O	99	Blanket order number	
RFF	M	1	Reference	RFF+BO:X:X'
SG1	O	99	Previous delivery instruction number	
RFF	M	1	Reference	RFF+AIF:X:X'
SG2	R	1	Buyer	
NAD	M	1	Buyer's Name and Address	NAD+BY+88012::92+X:::X+OEM INC:X+Indu stry Road 13:X+Smalltown++12345+DE'
SG4	O	1	Delivery Contact	
CTA	M	1	Delivery Contact	CTA+DL+ACCT'
COM	O	5	Communication contact	COM+0123456789012:TE'
SG4	O	1	Scheduling contact	
CTA	M	1	Scheduling Contact	CTA+SC+:Scheduling'
COM	O	5	Communication contact	COM+0123456789012:TE'
SG2	R	1	Seller	
NAD	M	1	Seller's Name and Address	NAD+SU+88012::92+ABC OEM:X:X:X:X+X+X :X+X+AE-AJ+X+DE'
SG2	O	1	Ship From	
NAD	M	1	Ship From's Name and Address	NAD+SF+88012::92+ABC OEM:X:X:X:X+X+X :X+X+AE-AJ+X+DE'
SG6	R	9999	Ship-to level	
GEI	M	1	Processing information	GEI+3+37'
SG7	O	1	Ship-to	
NAD	M	1	Ship-to	NAD+ST+082864711::92'
LOC	O	1	Place of discharge	LOC+11+DOCK 5::92:X'
LOC	O	4	Place of delivery / Internal place of destination	LOC+18+DOCK 5::92:X'
SG12	R	9999	Scheduled Article Details	
LIN	M	1	Line item	LIN+1+1+PN-32212:IN'
PIA	O	1	Additional product id	PIA+1+C2:VN'
PIA	O	1	Additional product id	PIA+1+C2:UA'
IMD	O	10	Item short description	IMD+F+4::10+01::10:X:X:AA'
FTX	O	5	Third Party: Customer Usages Indicator	FTX+PRD+++X:X:X:X+AA'

MaxOcc = Maximum occurrence of the segment/  
 group

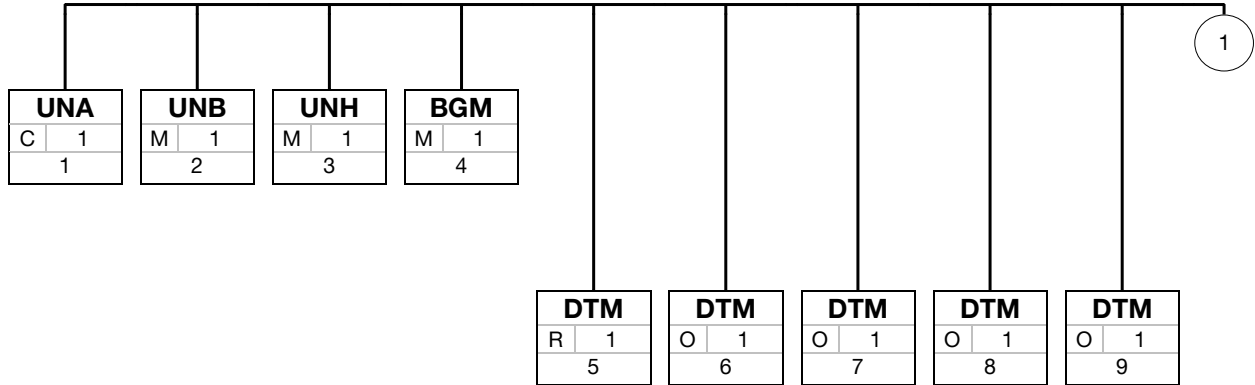
St = Status: M=Mandatory, C=Conditional, R=Required, O=Optional,  
 D=Dependent, A=Advised, N=Not used

Tag	St	MaxOcc	Content	
SG16	O	2	Delivery balance	
QTY	M	1	Delivery balance quantity	QTY+83:5000:05'
SG16	O	99	Cumulative quantity received	
QTY	M	1	Cumulative quantity received	QTY+70:100000:C62'
DTM	O	2	Cumulative quantity date(s)/Reconciliation Date	DTM+51:20050101:102'
SG16	O	1	Received quantity	
QTY	M	1	Despatched and received quantities	QTY+48:10000:C62'
DTM	O	2	Despatch and/or receipt date	DTM+310:20040528:102'
SG17	O	99	Despatch / receiving document reference	
RFF	M	1	Reference	RFF+AAU:12345'
DTM	O	1	Referenced document's date	DTM+171:X:102'
SG18	D	999	Scheduling data Firm	
SCC	M	1	Scheduling conditions	SCC+1'
SG19	R	999	Scheduled quantity	
QTY	M	1	Quantity	QTY+113:4500:C62'
DTM	O	9	Scheduled date(s)	DTM+2:20040610:102'
DTM	R	9	Delivery date/time, earliest	DTM+64:20040610:102'
DTM	R	9	Delivery date time, last	DTM+63:20040610:102'
SG18	O	999	Commitment for manufacturing and material	
SCC	M	1	Scheduling conditions	SCC+2'
SG19	R	999	Quantity to be delivered	
QTY	M	1	Quantity	QTY+113:4500:C62'
DTM	R	9	Delivery date/time, earliest	DTM+64:20040610:102'
DTM	R	9	Delivery date time, last	DTM+63:20040610:102'
DTM	O	9	Delivery date/time, requested	DTM+2:20040610:102'
SG19	O	999	Latest cumulative quantity	
QTY	M	1	Quantity	QTY+74:10000:C62'
DTM	R	9	Authorization date	DTM+160:20040610:102'
SG18	D	999	Scheduling data Planning/forecast	
SCC	M	1	Scheduling conditions	SCC+4'
SG19	R	999	Scheduled quantity	
QTY	M	1	Quantity	QTY+113:4500:C62'
DTM	O	9	Scheduled date(s)	DTM+2:20040610:102'
DTM	R	9	Delivery date time, last	DTM+63:20040610:102'
DTM	R	9	Delivery date/time, earliest	DTM+64:20040610:102'
UNT	M	1	Message trailer	UNT+122+123456'
UNZ	M	1	Interchange trailer	UNZ+1+144659'

MaxOcc = Maximum occurrence of the segment/  
 group

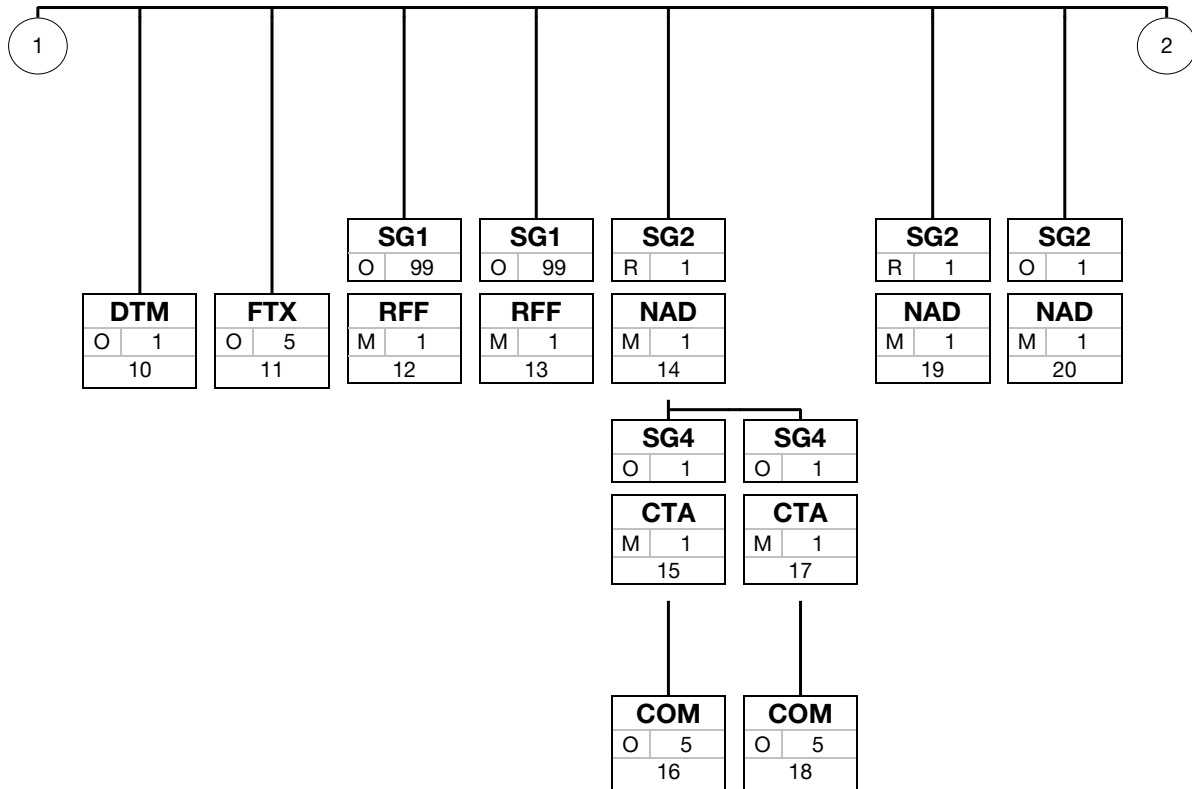
St = Status: M=Mandatory, C=Conditional, R=Required, O=Optional,  
 D=Dependent, A=Advised, N=Not used

2. BRANCHING DIAGRAM OF USED SEGMENTS/GROUPS



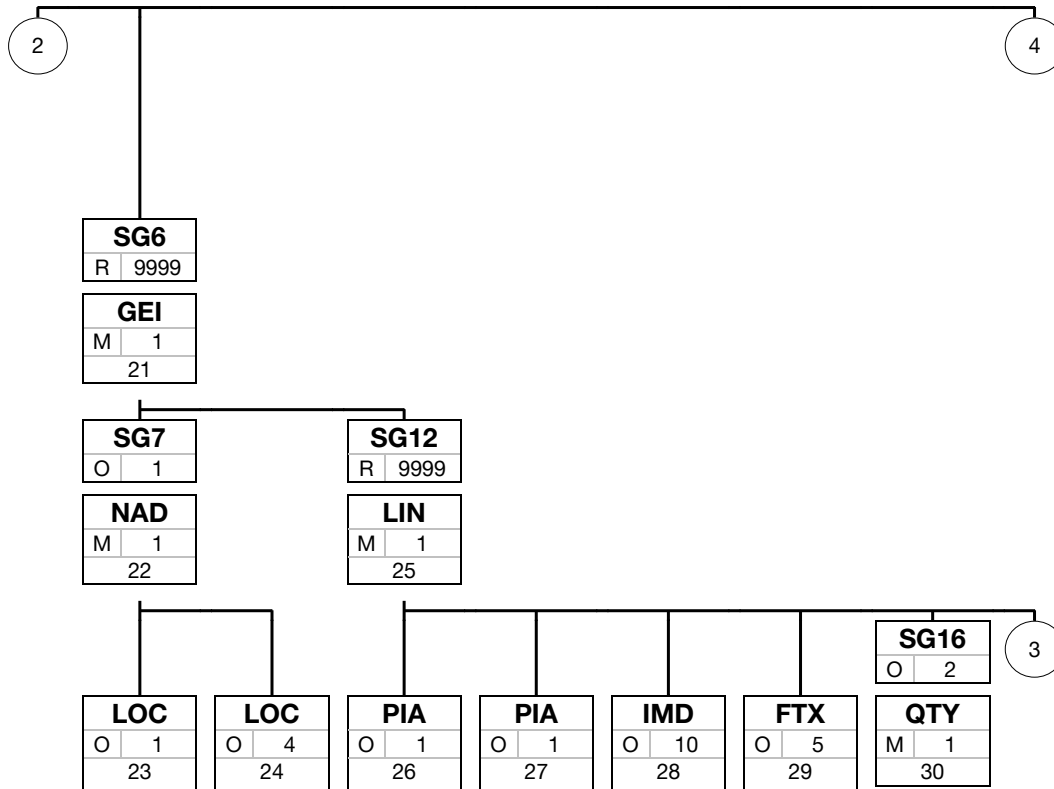
Tag
St MaxOcc
No

Tag = Segment/Group Tag  
 St = Status: M=Mandatory, C=Conditional, R=Required, O=Optional, D=Dependent, A=Advised, N=Not used  
 MaxOcc = Maximum occurrence of the segment/group  
 No = Consecutive segment number



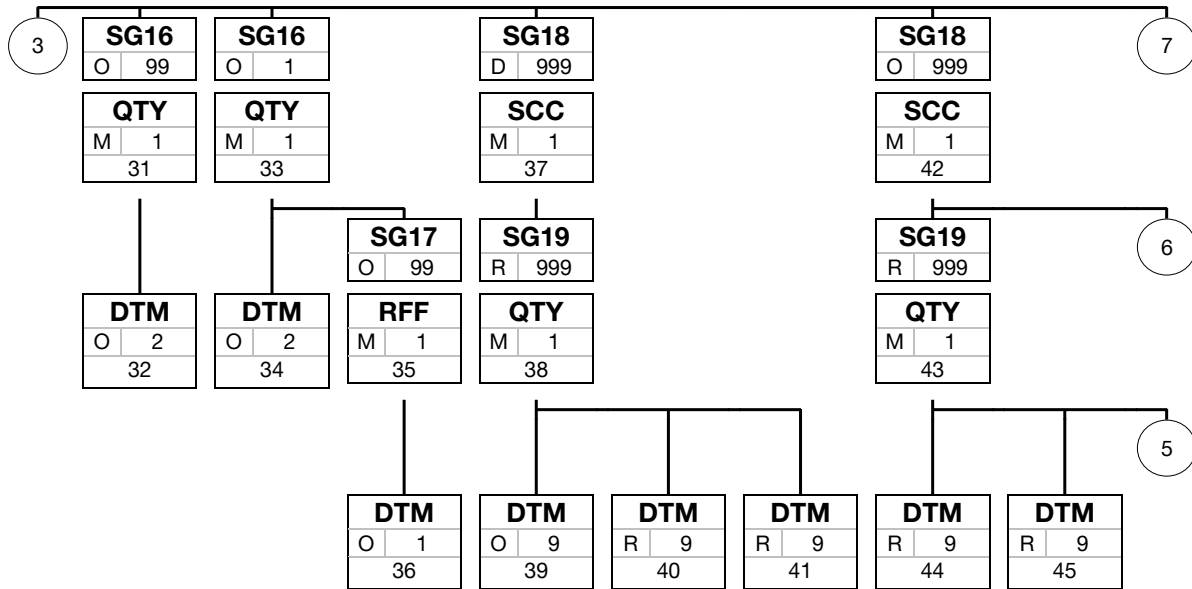
Tag
St MaxOcc
No

Tag = Segment/Group Tag  
 St = Status: M=Mandatory, C=Conditional, R=Required, O=Optional, D=Dependent, A=Advised, N=Not used  
 MaxOcc = Maximum occurrence of the segment/group  
 No = Consecutive segment number



Tag	
St	MaxOcc
No	

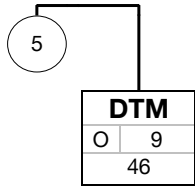
Tag = Segment/Group Tag  
 St = Status: M=Mandatory, C=Conditional, R=Required, O=Optional, D=Dependent, A=Advised, N=Not used  
 MaxOcc = Maximum occurrence of the segment/group  
 No = Consecutive segment number



Tag	
St	MaxOcc
No	

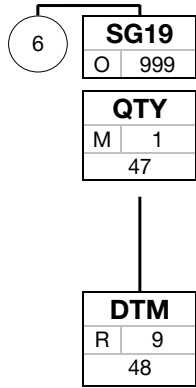
Tag = Segment/Group Tag  
 St = Status: M=Mandatory, C=Conditional, R=Required, O=Optional, D=Dependent, A=Advised, N=Not used  
 MaxOcc = Maximum occurrence of the segment/group  
 No = Consecutive segment number





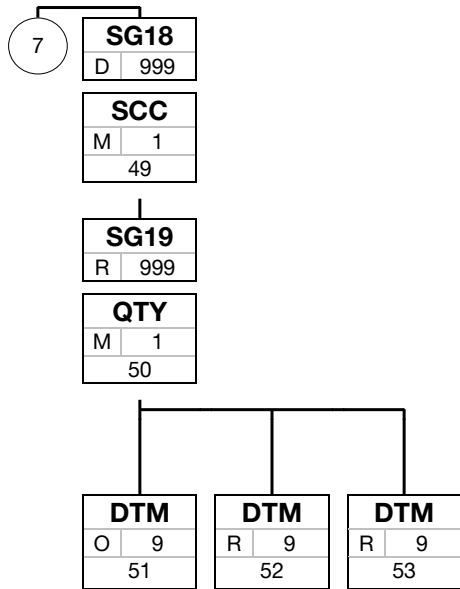
Tag
St MaxOcc
No

Tag = Segment/Group Tag  
St = Status: M=Mandatory, C=Conditional, R=Required, O=Optional, D=Dependent, A=Advised, N=Not used  
MaxOcc = Maximum occurrence of the segment/group  
No = Consecutive segment number



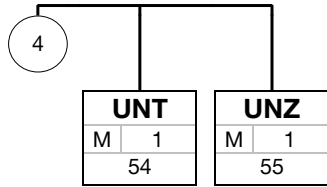
Tag	
St	MaxOcc
No	

Tag = Segment/Group Tag  
 St = Status: M=Mandatory, C=Conditional, R=Required, O=Optional, D=Dependent, A=Advised, N=Not used  
 MaxOcc = Maximum occurrence of the segment/group  
 No = Consecutive segment number



Tag	
St	MaxOcc
No	

Tag = Segment/Group Tag  
 St = Status: M=Mandatory, C=Conditional, R=Required, O=Optional, D=Dependent, A=Advised, N=Not used  
 MaxOcc = Maximum occurrence of the segment/group  
 No = Consecutive segment number



Tag
St MaxOcc
No

Tag = Segment/Group Tag  
 St = Status: M=Mandatory, C=Conditional, R=Required, O=Optional, D=Dependent, A=Advised, N=Not used  
 MaxOcc = Maximum occurrence of the segment/group  
 No = Consecutive segment number

### 3. SEGMENTS

Tag	St	MaxOcc	Name			
<b>UNA</b>	C	1	Service string advice			
			EDIFACT	vitesco		
Tag	Name	St	Format	St	Format	Usage / Remark
UNA1	Component data element separator	M	an1	M	an1	
UNA2	Data element separator	M	an1	M	an1	
UNA3	Decimal notation	M	an1	M	an1	
UNA4	Release indicator	M	an1	M	an1	
UNA5	Reserved for future use	M	an1	M	an1	
UNA6	Segment terminator	M	an1	M	an1	

**Remark:**

**Example:** UNA:+.? '

### 3. SEGMENTS

Tag	St	MaxOcc	Name			
<b>UNB</b>	M	1	<b>Interchange header</b>			
			EDIFACT	vitesco		
Tag	Name	St	Format	St	Format	Usage / Remark
S001	Syntax identifier	M		M		
0001	Syntax identifier	M	a4	M	a4	<b>UNOA UN/ECE level A</b> <b>UNOB UN/ECE level B</b> <b>UNOC UN/ECE-Zeichensatz C</b> <b>UNOX UN/ECE level X</b>
0002	Syntax version number	M	n1	M	n1	<b>2 Version 2</b> <b>3 Version 3</b>
S002	Interchange sender	M		M		
0004	Sender identification	M	an..35	M	an..35	Unique ID of the sender in the data transmission network or system.
0007	Partner identification code qualifier	C	an..4	O	an..4	
0008	Address for reverse routing	C	an..14	O	an..14	Address of an application or internal system at sender's site to which answer messages should be routed.
S003	Interchange recipient	M		M		
0010	Recipient identification	M	an..35	M	an..35	Unique ID of the receiver in the data transmission network or system.
0007	Partner identification code qualifier	C	an..4	O	an..4	
0014	Routing address	C	an..14	C	an..14	Address of an application or internal system at recipient's site.
S004	Date/time of preparation	M		M		
0017	Date of preparation	M	n6	M	n6	Format YYMMDD
0019	Time of preparation	M	n4	M	n4	Format HHMM
0020	Interchange control reference	M	an..14	M	an..14	Unique ID of an interchange.
S005	Recipient's reference, password			N		
0022	Recipient's reference/ password		an..14	N		Not used
0025	Recipient's reference/ password qualifier		an2	N		Not used
0026	Application reference		an..14	N		Not used
0029	Processing priority code		a1	N		Not used
0031	Acknowledgement request		n1	N		Not used
0032	Communications agreement ID		an..35	N		Not used
0035	Test indicator	C	n1	O	n1	Only to be used if the interchange is for test purposes. Omit this data element for valid interchanges.

MaxOcc = Maximum occurrence of the segment/group; St = Status: M=Mandatory, C=Conditional, R=Required, O=Optional, D=Dependent, A=Advised, N=Not used

EDIFACT			vitesco	
Tag	Name	St Format	St Format	Usage / Remark
				<b>1 Interchange is a test</b>

**Remark:**

**Example:** UNB+UNOC:3+OD012345:59:123+987654321:1:X+071205:1446+144659+++++1'

### 3. SEGMENTS

Tag	St	MaxOcc	Name			
<b>UNH</b>	M	1	<b>Message header</b>			
EDIFACT			vitesco			
Tag	Name	St	Format	St	Format	Usage / Remark
0062	Message reference number	M	an..14	M	an..14	Message reference number should be unique for an agreed period of time. (Eg. Calendar year, model year)
S009	Message identifier	M		M		
0065	Message type	M	an..6	M	an..6	<b>DELFOR Delivery schedule message</b>
0052	Message version number	M	an..3	M	an..3	<b>D Draft version/UN/EDIFACT Directory</b>
0054	Message release number	M	an..3	M	an..3	<b>04A Release 2004 - A</b>
0051	Controlling agency	M	an..2	M	an..2	<b>UN UN/CEFACT</b>
0057	Association assigned code	C	an..6	R	an..6	Identification of the subset release, assigned by the responsible organisation (Odette, joint automotive initiative forum).
0068	Common access reference		an..35	N		Not used
S010	Status of the transfer			N		
0070	Sequence of transfers		n..2	N		Not used
0073	First and last transfer		a1	N		Not used

**Remark:**

**Example:** UNH+123456+DELFOR:D:04A:UN:GA0511'

MaxOcc = Maximum occurrence of the segment/group; St = Status: M=Mandatory, C=Conditional, R=Required, O=Optional, D=Dependent, A=Advised, N=Not used



### 3. SEGMENTS

Tag	St	MaxOcc	Name			
<b>BGM</b>	M	1	<b>Beginning of message</b>			
EDIFACT			vitesco			
Tag	Name	St	Format	St	Format	Usage / Remark
C002	Document/message name	C		R		
1001	Document name code	C	an..3	R	an..3	Code specifying the type or subtype of the business document. Use UN/EDIFACT code list 1001 and JAI code list JAI001 <b>236 Lieferprog /VMI-flag</b> <b>241 Delivery schedule</b> Code 222 - message is used for a single delivery requirement and can be seen as individual delivery instruction for that item. It's assumed that a standing purchase order exists. Code 224 - exceptional delivery instruction for immediate additional requirements. All other (previously sent) scheduling data remain valid. Code 236 - message contains only forecasting figures Code 240 - message contains only firm instructions Code 241 - message contains forecasting and firm figures (combination of firm instructions and forecasting figures)
1131	Code list identification code		an..17	N		Not used
3055	Code list responsible agency code	C	an..3	O	an..3	<b>6 UN/ECE (United Nations - Economic Commission for Europe)</b> Code specifying the agency responsible for a code list.
1000	Document name	C	an..35	O	an..35	Additional profile information concerning the delivery forecast / instruction
C106	Document/message identification	C		R		
1004	Document identifier	C	an..35	R	an..35	Unique identifier of a document. Synonym: document number
1056	Version identifier	C	an..9	O	an..9	Message version is used to indicate a version of each individual company's message specification, which is composed based on the global message.
1060	Revision identifier	C	an..6	O	an..6	Document revision is used to indicate a revision of each individual company's message specification which is composed based on the global specification.
1225	Message function code	C	an..3	O	an..3	Code indicating the function of the document. Use of code 4 - change is not recommended and also code 5 should be restricted to replacements due to technical reasons. Any change in instruction content should be indicated at instruction level.
4343	Response type code		an..3	N		Not used

**Remark:**

**Example:** BGM+241:::text+231234:02:A+5'

MaxOcc = Maximum occurrence of the segment/group; St = Status: M=Mandatory, C=Conditional, R=Required, O=Optional, D=Dependent, A=Advised, N=Not used

### 3. SEGMENTS

Tag	St	MaxOcc	Name			
<b>DTM</b>	R	1	Document Issue Date			
			EDIFACT	vitesco		
Tag	Name	St	Format	St	Format	Usage / Remark
C507	Date/time/period	M		M		
2005	Date or time or period function code qualifier	M	an..3	M	an..3	<b>137 Document issue date time</b>
2380	Date or time or period text	C	an..35	R	an..35	Date on which a document or business signal was issued.
2379	Date or time or period format code	C	an..3	O	an..3	<b>102 CCYYMMDD</b>

**Remark:**

**Example:** DTM+137:20040523:102'

MaxOcc = Maximum occurrence of the segment/group; St = Status: M=Mandatory, C=Conditional, R=Required, O=Optional, D=Dependent, A=Advised, N=Not used

### 3. SEGMENTS

Tag	St	MaxOcc	Name			
<b>DTM</b>	O	1	Calculation Date			
EDIFACT		vitesco				
Tag	Name	St	Format	St	Format	Usage / Remark
C507	Date/time/period	M		M		
2005	Date or time or period function code qualifier	M	an..3	M	an..3	<b>161 Release date of customer</b>
2380	Date or time or period text	C	an..35	R	an..35	Calculation date
2379	Date or time or period format code	C	an..3	O	an..3	<b>102 CCYYMMDD</b> <b>203 CCYYMMDDHHMM</b> <b>204 CCYYMMDDHHMMSS</b>

**Remark:**

quality releas date until

**Example:** DTM+161:20040523:102'

MaxOcc = Maximum occurrence of the segment/group; St = Status: M=Mandatory, C=Conditional, R=Required, O=Optional, D=Dependent, A=Advised, N=Not used

### 3. SEGMENTS

Tag	St	MaxOcc	Name	
<b>DTM</b>	O	1	<b>Effective From Date</b>	
EDIFACT		vitesco		
Tag	Name	St Format	St Format Usage / Remark	
C507	Date/time/period	M	M	
2005	Date or time or period function code qualifier	M an..3	M an..3	<b>158 Horizon start date</b>
2380	Date or time or period text	C an..35	R an..35	Start date of a given period.
2379	Date or time or period format code	C an..3	O an..3	<b>102 CCYYMMDD</b>

**Remark:**

Start date of the schedule. Usually used in combination with the Effective To Date to form a forecast horizon.  
 Synonym: Horizon Start Date

**Example:** DTM+158:20040101:102'

MaxOcc = Maximum occurrence of the segment/group; St = Status: M=Mandatory, C=Conditional, R=Required, O=Optional, D=Dependent, A=Advised, N=Not used

### 3. SEGMENTS

Tag	St	MaxOcc	Name			
<b>DTM</b>	O	1	<b>Effective To Date</b>			
EDIFACT		vitesco				
Tag	Name	St	Format	St	Format	Usage / Remark
C507	Date/time/period	M		M		
2005	Date or time or period function code qualifier	M	an..3	M	an..3	<b>159 Horizon end date</b>
2380	Date or time or period text	C	an..35	R	an..35	End date of a given period.
2379	Date or time or period format code	C	an..3	O	an..3	<b>102 CCYYMMDD</b>

**Remark:**

End date of the schedule. Usually used in combination with the 'Effective From Date' to form a forecast horizon.

**Example:** DTM+159:20041231:102'

MaxOcc = Maximum occurrence of the segment/group; St = Status: M=Mandatory, C=Conditional, R=Required, O=Optional, D=Dependent, A=Advised, N=Not used

### 3. SEGMENTS

Tag	St	MaxOcc	Name
<b>DTM</b>	O	1	Validity Start Date
EDIFACT		vitesco	
Tag	Name	St Format	St Format Usage / Remark
C507	Date/time/period	M	M
2005	Date or time or period function code qualifier	M an..3	M an..3 <b>157 Validity start date</b>
2380	Date or time or period text	C an..35	R an..35 Start date of a given period
2379	Date or time or period format code	C an..3	O an..3 <b>102 CCYYMMDD</b>

**Remark:**

Although the horizon may comprehend a longer period, the current message is to be considered valid only for a shorter period, delimited by Validity start date and Expiry Date. Usually, this goes along with a release frequency. E.g. if the frequency is weekly, the validity start date and expiry date shall denominate the one week period.  
 not used for PROACT

**Example:** DTM+157:20040101:102'

MaxOcc = Maximum occurrence of the segment/group; St = Status: M=Mandatory, C=Conditional, R=Required, O=Optional, D=Dependent, A=Advised, N=Not used

### 3. SEGMENTS

Tag	St	MaxOcc	Name			
<b>DTM</b>	O	1	Expiry Date			
EDIFACT		vitesco				
Tag	Name	St	Format	St	Format	Usage / Remark
C507	Date/time/period	M		M		
2005	Date or time or period function code qualifier	M	an..3	M	an..3	<b>36 Expiry date</b>
2380	Date or time or period text	C	an..35	R	an..35	End date of a given period
2379	Date or time or period format code	C	an..3	O	an..3	<b>102 CCYYMMDD</b>

**Remark:**

Although the horizon may comprehend a longer period, the current message is to be considered valid only for a shorter period, delimited by Validity start date and Expiry Date. Usually, this goes along with a release frequency. E.g. if the frequency is weekly, the validity start date and expiry date shall denominate the one week period.  
 not used for PROACT

**Example:** DTM+36:20040101:102'

MaxOcc = Maximum occurrence of the segment/group; St = Status: M=Mandatory, C=Conditional, R=Required, O=Optional, D=Dependent, A=Advised, N=Not used

### 3. SEGMENTS

Tag	St	MaxOcc	Name			
<b>FTX</b>	O	5	<b>Terms of delivery</b>			
			EDIFACT	vitesco		
Tag	Name	St	Format	St	Format	Usage / Remark
4451	Text subject code qualifier	M	an..3	M	an..3	<b>AAR Terms of delivery</b>
4453	Free text function code		an..3	N		Not used
C107	Text reference			N		
4441	Free text description code		an..17	N		Not used
1131	Code list identification code		an..17	N		Not used
3055	Code list responsible agency code		an..3	N		Not used
C108	Text literal		C		R	
4440	Free text	M	an..256	M	an..256	A line of plain, non-structured text information.
4440	Free text	C	an..256	O	an..256	see 4440#1
4440	Free text	C	an..256	O	an..256	see 4440#1
4440	Free text	C	an..256	O	an..256	see 4440#1
4440	Free text	C	an..256	O	an..256	see 4440#1
3453	Language name code	C	an..3	O	an..3	Code specifying the language name. Use ISO 639-1988.
4447	Free text format code		an..3	N		Not used

**Remark:**

Terms of delivery

**Example:** FTX+AAR+++Inco-Terms:::X+DE'

MaxOcc = Maximum occurrence of the segment/group; St = Status: M=Mandatory, C=Conditional, R=Required, O=Optional, D=Dependent, A=Advised, N=Not used



### 3. SEGMENTS

Tag	St	MaxOcc	Name			
<b>SG1</b>	O	99	<b>Blanket order number</b>			
<b>RFF</b>	M	1	<b>Reference</b>			
EDIFACT			vitesco			
Tag	Name	St	Format	St	Format	Usage / Remark
C506	Reference	M		M		
1153	Reference code qualifier	M	an..3	M	an..3	Type of reference, coded <b>BO Blanket order number</b>
1154	Reference identifier	C	an..17	R	an..17	Unique identifier of a document. Synonym: document number or reference number
1156	Document line identifier	C	an..6	O	an..6	Sequential number assigned by the sender to identify a line item within a message or document.
4000	Reference version identifier		an..35	N		Not used
1060	Revision identifier		an..6	N		Not used

**Remark:**

**Example:** RFF+BO:X:X'

### 3. SEGMENTS

Tag	St	MaxOcc	Name	
<b>SG1</b>	O	99	<b>Previous delivery instruction number</b> not used for PROACT	
<b>RFF</b>	M	1	<b>Reference</b>	
		EDIFACT	vitesco	
Tag	Name	St Format	St Format Usage / Remark	
C506	Reference	M	M	
1153	Reference code qualifier	M an..3	M an..3	Type of reference, coded <b>AIF Previous delivery instruction number</b>
1154	Reference identifier	C an..17	R an..17	Unique identifier of a document. Synonym: document number or reference number
1156	Document line identifier	C an..6	O an..6	Sequential number assigned by the sender to identify a line item within a message or document.
4000	Reference version identifier	an..35	N	Not used
1060	Revision identifier	an..6	N	Not used

**Remark:**

**Example:** RFF+AIF:X:X'

### 3. SEGMENTS

Tag	St	MaxOcc	Name			
<b>SG2</b>	R	1	<b>Buyer</b>			
<b>NAD</b>	M	1	<b>Buyer's Name and Address</b>			
			EDIFACT	vitesco		
Tag	Name	St	Format	St	Format	Usage / Remark
3035	Party function code qualifier	M	an..3	M	an..3	<b>BY Buyer</b> Some companies refer to the buyer as the material release issuer. Both terms are used as synonyms in the DELFOR.
C082	Party identification details	C		R		
3039	Party identifier	M	an..35	M	an..35	Unique identification of a party by an ID.
1131	Code list identification code		an..17	N		Not used
3055	Code list responsible agency code	C	an..3	R	an..3	Code specifying the agency responsible for a code list. <b>92 Assigned by buyer or buyer's agent</b>
C058	Name and address	C		O		
3124	Name and address description	M	an..35	M	an..35	A text line containing non-structured address information.
3124	Name and address description	C	an..35	O	an..35	see 3124#1
3124	Name and address description	C	an..35	O	an..35	see 3124#1
3124	Name and address description	C	an..35	O	an..35	see 3124#1
3124	Name and address description	C	an..35	O	an..35	see 3124#1
C080	Party name	C		O		
3036	Party name	M	an..35	M	an..35	Single text line for specification of a name
3036	Party name	C	an..35	O	an..35	see 3036#1
3036	Party name		an..35	N		Not used
3036	Party name		an..35	N		Not used
3036	Party name		an..35	N		Not used
3045	Party name format code		an..3	N		Not used
C059	Street	C		O		
3042	Street and number or post office box identifier	M	an..35	O	an..35	The name that identifies the location of a house or building: usually within a street as part of an address.
3042	Street and number or post office box identifier	C	an..35	O	an..35	see 3042#1
3042	Street and number or post office box identifier		an..35	N		Not used
3042	Street and number or post office box identifier		an..35	N		Not used
3164	City name	C	an..35	O	an..35	The name of the city, town, or village of this address.
C819	Country sub-entity details	C		O		
3229	Country sub-entity name code	C	an..9	R	an..9	State or region within a country. The use of UN LoCodes is

MaxOcc = Maximum occurrence of the segment/group; St = Status: M=Mandatory, C=Conditional, R=Required, O=Optional, D=Dependent, A=Advised, N=Not used

EDIFACT			vitesco		
Tag	Name	St Format	St	Format	Usage / Remark
					recommended.
1131	Code list identification code	an..17	N		Not used
3055	Code list responsible agency code	an..3	N		Not used
3228	Country sub-entity name	an..70	N		Not used
3251	Postal identification code	C an..17	O	an..17	The identifier for one or more properties according to the postal service of that country; a group of letters and/or numbers added to the postal address to assist in the sorting of mail.
3207	Country name code	C an..3	O	an..3	Provides the country part of an address using a code. Use ISO3166 two alpha code.

**Remark:**

Party to whom merchandise and/or service is sold.

**Example:** NAD+BY+88012::92+X:::X+OEM INC:X+Industry Road 13:X+Smalltown++12345+DE'

### 3. SEGMENTS

Tag	St	MaxOcc	Name
<b>SG4</b>	O	1	<b>Delivery Contact</b>
<b>CTA</b>	M	1	<b>Delivery Contact</b>
EDIFACT		vitesco	
Tag	Name	St Format	St Format Usage / Remark
3139	Contact function code	C an..3	R an..3 <b>DL Delivery contact</b>
C056	Information Contact Details	C	R
3413	Department or employee name code	C an..17	R an..17 Identifies the department or employee by a unique identifier other than their name when given as a contact.
3412	Department or employee name	an..35	N Not used

**Remark:**

A contact assigned to the delivery party

**Example:** CTA+DL+ACCT'

MaxOcc = Maximum occurrence of the segment/group; St = Status: M=Mandatory, C=Conditional, R=Required, O=Optional, D=Dependent, A=Advised, N=Not used

### 3. SEGMENTS

Tag	St	MaxOcc	Name	
<b>SG4</b>	O	1	<b>Delivery Contact</b>	
<b>COM</b>	O	5	<b>Communication contact</b>	
EDIFACT		vitesco		
Tag	Name	St Format	St Format	Usage / Remark
C076	Communication contact	M	M	
3148	Communication address identifier	M an..100	M an..100	The number or virtual 'address' of a telephone in a telecommunication system The number or virtual 'address' of a telephone in an organisation's internal telecommunication system The number or virtual 'address' of a facsimile in a telecommunication system The number or virtual 'address' of an e-mail mailbox in the internet or other network. Within a given facility a detailed department mail delivery location.
3155	Communication address code qualifier	M an..3	M an..3	<b>EM Electronic mail</b> <b>FX Telefax</b> <b>TE Telephone</b>

**Remark:**

**Example:** COM+0123456789012:TE'

MaxOcc = Maximum occurrence of the segment/group; St = Status: M=Mandatory, C=Conditional, R=Required, O=Optional, D=Dependent, A=Advised, N=Not used

### 3. SEGMENTS

Tag	St	MaxOcc	Name
<b>SG4</b>	O	1	Scheduling contact
<b>CTA</b>	M	1	Scheduling Contact
EDIFACT		vitesco	
Tag	Name	St Format	St Format Usage / Remark
3139	Contact function code	C an..3	R an..3 <b>SC Schedule contact</b>
C056	Information Contact Details	C	R
3413	Department or employee name code	C an..17	O an..17 Identifies the department or employee by a unique identifier other than their name when given as a contact.
3412	Department or employee name	C an..35	O an..35 Name of the contact person or department

**Remark:**

Information that identifies the contact person or department responsible for the scheduling of deliveries, e.g. by releasing call-off orders or delivery forecasts, together with information about how they can be contacted.

**Example:** CTA+SC+:Scheduling'

### 3. SEGMENTS

Tag	St	MaxOcc	Name	
<b>SG4</b>	O	1	<b>Scheduling contact</b>	
<b>COM</b>	O	5	<b>Communication contact</b>	
		EDIFACT	vitesco	
Tag	Name	St Format	St Format Usage / Remark	
C076	Communication contact	M	M	
3148	Communication address identifier	M an..100	M an..100	The number or virtual 'address' of a telephone in a telecommunication system The number or virtual 'address' of a telephone in an organisation's internal telecommunication system The number or virtual 'address' of a facsimile in a telecommunication system The number or virtual 'address' of an e-mail mailbox in the internet or other network. Within a given facility a detailed department mail delivery location.
3155	Communication address code qualifier	M an..3	M an..3	<b>TE Telephone</b>

**Remark:**

**Example:** COM+0123456789012:TE'

MaxOcc = Maximum occurrence of the segment/group; St = Status: M=Mandatory, C=Conditional, R=Required, O=Optional, D=Dependent, A=Advised, N=Not used



### 3. SEGMENTS

Tag	St	MaxOcc	Name			
<b>SG2</b>	R	1	<b>Seller</b>			
			Seller			
<b>NAD</b>	M	1	<b>Seller's Name and Address</b>			
EDIFACT			vitesco			
Tag	Name	St	Format	St	Format	Usage / Remark
3035	Party function code qualifier	M	an..3	M	an..3	<b>SU Supplier</b>
C082	Party identification details	C		R		
3039	Party identifier	M	an..35	M	an..35	Unique identification of a party by an ID.
1131	Code list identification code		an..17	N		Not used
3055	Code list responsible agency code	C	an..3	R	an..3	Code specifying the agency responsible for a code list. <b>92 Assigned by buyer or buyer's agent</b>
C058	Name and address	C		O		
3124	Name and address description	M	an..35	M	an..35	A text line containing non-structured address information.
3124	Name and address description	C	an..35	O	an..35	see 3124#1
3124	Name and address description	C	an..35	O	an..35	see 3124#1
3124	Name and address description	C	an..35	O	an..35	see 3124#1
3124	Name and address description	C	an..35	O	an..35	see 3124#1
C080	Party name	C		O		
3036	Party name	M	an..35	M	an..35	Single text line for specification of a name
3036	Party name	C	an..35	O	an..35	see 3036#1
3036	Party name		an..35	N		Not used
3036	Party name		an..35	N		Not used
3036	Party name		an..35	N		Not used
3045	Party name format code		an..3	N		Not used
C059	Street	C		O		
3042	Street and number or post office box identifier	M	an..35	M	an..35	The name that identifies the location of a house or building; usually within a street as part of an address.
3042	Street and number or post office box identifier	C	an..35	O	an..35	see 3042#1
3042	Street and number or post office box identifier		an..35	N		Not used
3042	Street and number or post office box identifier		an..35	N		Not used
3164	City name	C	an..35	O	an..35	The name of the city, town, or village of this address.
C819	Country sub-entity details	C		O		
3229	Country sub-entity name code	C	an..9	R	an..9	State or region within a country. The use of UN LoCodes is recommended.

MaxOcc = Maximum occurrence of the segment/group; St = Status: M=Mandatory, C=Conditional, R=Required, O=Optional, D=Dependent, A=Advised, N=Not used

EDIFACT			vitesco		
Tag	Name	St Format	St	Format	Usage / Remark
1131	Code list identification code	an..17	N		Not used
3055	Code list responsible agency code	an..3	N		Not used
3228	Country sub-entity name	an..70	N		Not used
3251	Postal identification code	C an..17	O	an..17	The identifier for one or more properties according to the postal service of that country; a group of letters and/or numbers added to the postal address to assist in the sorting of mail.
3207	Country name code	C an..3	O	an..3	Provides the country part of an address using a code. Use ISO3166 two alpha code.

**Remark:**

Party selling merchandise to a buyer.

Seller: The party who has liability to fulfill the contract. It is often used in the sense of seller and supplier and ship-from.

In Europe and Japan seller is preferred to identify the selling and supplying party. Supplier is only included when the party actually differs from the seller.

**Example:** NAD+SU+88012::92+ABC OEM:X:X:X:X:X:X+X+AE-AJ+X+DE'

### 3. SEGMENTS

Tag	St	MaxOcc	Name			
<b>SG2</b>	O	1	<b>Ship From</b>			
			Ship From			
<b>NAD</b>	M	1	<b>Ship From's Name and Address</b>			
			EDIFACT	vitesco		
Tag	Name	St	Format	St	Format	Usage / Remark
3035	Party function code qualifier	M	an..3	M	an..3	<b>SF Ship from</b>
C082	Party identification details	C		O		
3039	Party identifier	M	an..35	M	an..35	Unique identification of a party by an ID.
1131	Code list identification code		an..17	N		Not used
3055	Code list responsible agency code	C	an..3	O	an..3	<b>5 ISO (International Organization for Standardization)</b> <b>10 ODETTE</b> <b>16 US, D&amp;B (Dun &amp; Bradstreet Corporation)</b> <b>91 Assigned by seller or seller's agent</b> <b>92 Assigned by buyer or buyer's agent</b> <b>289 JP,JIPDEC/ECPC (Japan Information Processing Development Center / Electronic Commerce Promotion Center)</b> Code specifying the agency responsible for a code list.
C058	Name and address	C		O		
3124	Name and address description	M	an..35	M	an..35	A text line containing non-structured address information.
3124	Name and address description	C	an..35	O	an..35	see 3124#1
3124	Name and address description	C	an..35	O	an..35	see 3124#1
3124	Name and address description	C	an..35	O	an..35	see 3124#1
3124	Name and address description	C	an..35	O	an..35	see 3124#1
C080	Party name	C		O		
3036	Party name	M	an..35	M	an..35	Single text line for specification of a name
3036	Party name	C	an..35	O	an..35	see 3036#1
3036	Party name		an..35	N		Not used
3036	Party name		an..35	N		Not used
3036	Party name		an..35	N		Not used
3045	Party name format code		an..3	N		Not used
C059	Street	C		O		
3042	Street and number or post office box identifier	M	an..35	M	an..35	The name that identifies the location of a house or building: usually within a street as part of an address.
3042	Street and number or post office box identifier	C	an..35	O	an..35	see 3042#1

MaxOcc = Maximum occurrence of the segment/group; St = Status: M=Mandatory, C=Conditional, R=Required, O=Optional, D=Dependent, A=Advised, N=Not used

EDIFACT			vitesco		
Tag	Name	St Format	St	Format	Usage / Remark
3042	Street and number or post office box identifier	an..35	N		Not used
3042	Street and number or post office box identifier	an..35	N		Not used
3164	City name	C an..35	O	an..35	The name of the city, town, or village of this address.
C819	Country sub-entity details	C	O		
3229	Country sub-entity name code	C an..9	R	an..9	State or region within a country. The use of UN LoCodes is recommended.
1131	Code list identification code	an..17	N		Not used
3055	Code list responsible agency code	an..3	N		Not used
3228	Country sub-entity name	an..70	N		Not used
3251	Postal identification code	C an..17	O	an..17	The identifier for one or more properties according to the postal service of that country; a group of letters and/or numbers added to the postal address to assist in the sorting of mail.
3207	Country name code	C an..3	O	an..3	Provides the country part of an address using a code. Use ISO3166 two alpha code.

**Remark:**

The party which consigns or sends goods.

**Example:** NAD+SF+88012:::92+ABC OEM:X:X:X:X+X:X+X:X+X+AE-AJ+X+DE'

### 3. SEGMENTS

Tag	St	MaxOcc	Name
<b>SG6</b>	R	9999	Ship-to level
<b>GEI</b>	M	1	Processing information

EDIFACT			vitesco		
Tag	Name	St Format	St	Format	Usage / Remark
9649	Processing information code qualifier	M an..3	M	an..3	<b>3 Scheduling type information</b>
C012	Processing indicator	C	O		
7365	Processing indicator description code	C an..3	O	an..3	<b>37 Complete information</b> Code indicating the scope of a delivery schedule: complete information or only changed information. At this point, the code indicates that the delivery schedule information for a given Ship-to contains is either a complete schedule and replaces completely any previous information for that ship-to or contains only changes. If instruction update action code is given for the individual line items, only code 38 = replaced would be applicable if code 37 = complete information is given here. Code 36 =change information may be used together with codes 3 and 9 in Instruction Update Action code.
1131	Code list identification code	an..17	N		Not used
3055	Code list responsible agency code	an..3	N		Not used
7364	Processing indicator description	an..35	N		Not used
7187	Process type description code	an..17	N		Not used

**Remark:**

This level gives the delivery instruction details (schedule dates, scheduled quantities etc.) for one individual ship-to party e.g. a plant in a delivery instruction or forecast.

**Example:** GEI+3+37'

### 3. SEGMENTS

Tag	St	MaxOcc	Name			
<b>SG7</b>	O	1	Ship-to			
<b>NAD</b>	M	1	Ship-to			
			EDIFACT	vitesco		
Tag	Name	St	Format	St	Format	Usage / Remark
3035	Party function code qualifier	M	an..3	M	an..3	<b>ST Ship to</b>
C082	Party identification details	C		O		
3039	Party identifier	M	an..35	M	an..35	Unique identification of a party by an ID.
1131	Code list identification code		an..17	N		Not used
3055	Code list responsible agency code	C	an..3	R	an..3	<b>92 Assigned by buyer or buyer's agent</b> Code specifying the agency responsible for a code list.
C058	Name and address			N		
3124	Name and address description		an..35	N		Not used
3124	Name and address description		an..35	N		Not used
3124	Name and address description		an..35	N		Not used
3124	Name and address description		an..35	N		Not used
3124	Name and address description		an..35	N		Not used
C080	Party name			N		
3036	Party name		an..35	N		Not used
3036	Party name		an..35	N		Not used
3036	Party name		an..35	N		Not used
3036	Party name		an..35	N		Not used
3036	Party name		an..35	N		Not used
3045	Party name format code		an..3	N		Not used
C059	Street			N		
3042	Street and number or post office box identifier		an..35	N		Not used
3042	Street and number or post office box identifier		an..35	N		Not used
3042	Street and number or post office box identifier		an..35	N		Not used
3042	Street and number or post office box identifier		an..35	N		Not used
3164	City name		an..35	N		Not used
C819	Country sub-entity details			N		
3229	Country sub-entity name code		an..9	N		Not used
1131	Code list identification code		an..17	N		Not used

MaxOcc = Maximum occurrence of the segment/group; St = Status: M=Mandatory, C=Conditional, R=Required, O=Optional, D=Dependent, A=Advised, N=Not used

EDIFACT			vitesco		
Tag	Name	St Format	St	Format	Usage / Remark
3055	Code list responsible agency code	an..3	N		Not used
3228	Country sub-entity name	an..70	N		Not used
3251	Postal identification code	an..17	N		Not used
3207	Country name code	an..3	N		Not used

**Remark:**

The party to which goods are to be shipped (consigned). Identifies a delivery point and its attached information when a delivery point method is being used. / plant

The Ship-to must be used, if there are multiple customer/buyer locations included in a DELFOR. In addition, in European business processes this ship-to party is often required even if it repeats the information given for the buyer already.

**Example:** NAD+ST+082864711:::92'

### 3. SEGMENTS

Tag	St	MaxOcc	Name			
<b>SG7</b>	O	1	<b>Ship-to</b>			
<b>LOC</b>	O	1	<b>Place of discharge</b>			
			EDIFACT	vitesco		
Tag	Name	St	Format	St	Format	Usage / Remark
3227	Location function code qualifier	M	an..3	M	an..3	<b>11 Place of discharge</b>
C517	Location identification	C		R		
3225	Location name code	C	an..35	O	an..35	Identifier / code specifying the name of the place of discharge. <b>KO consignment material xxxx different unloading points</b>
1131	Code list identification code		an..17	N		Not used
3055	Code list responsible agency code	C	an..3	O	an..3	Code specifying the agency responsible for a code list. <b>92 Assigned by buyer or buyer's agent</b>
3224	Location name	C	an..256	O	an..256	Name of place of discharge, other than city name.
C519	Related location one identification			N		
3223	First related location name code		an..25	N		Not used
1131	Code list identification code		an..17	N		Not used
3055	Code list responsible agency code		an..3	N		Not used
3222	First related location name		an..70	N		Not used
C553	Related location two identification			N		
3233	Second related location name code		an..25	N		Not used
1131	Code list identification code		an..17	N		Not used
3055	Code list responsible agency code		an..3	N		Not used
3232	Second related location name		an..70	N		Not used
5479	Relation code		an..3	N		Not used

**Remark:**

Place of discharge: Seaport, airport, freight terminal, rail station or other place at which the goods (cargo) are unloaded from the means of transport having been used for their carriage.

**Example:** LOC+11+DOCK 5::92:X'

MaxOcc = Maximum occurrence of the segment/group; St = Status: M=Mandatory, C=Conditional, R=Required, O=Optional, D=Dependent, A=Advised, N=Not used



### 3. SEGMENTS

Tag	St	MaxOcc	Name
<b>SG7</b>	O	1	Ship-to
<b>LOC</b>	O	4	Place of delivery / Internal place of destination
EDIFACT			vitesco
Tag	Name	St Format	St Format Usage / Remark
3227	Location function code qualifier	M an..3	M an..3 <b>18 Warehouse</b>
C517	Location identification	C	R
3225	Location name code	C an..35	O an..35 Identifier / code specifying the name of a location.
1131	Code list identification code	an..17	N Not used
3055	Code list responsible agency code	C an..3	O an..3 Code specifying the agency responsible for a code list. <b>92 Assigned by buyer or buyer's agent</b>
3224	Location name	C an..256	O an..256 Name of place of discharge, other than city name.
C519	Related location one identification		N
3223	First related location name code	an..25	N Not used
1131	Code list identification code	an..17	N Not used
3055	Code list responsible agency code	an..3	N Not used
3222	First related location name	an..70	N Not used
C553	Related location two identification		N
3233	Second related location name code	an..25	N Not used
1131	Code list identification code	an..17	N Not used
3055	Code list responsible agency code	an..3	N Not used
3232	Second related location name	an..70	N Not used
5479	Relation code	an..3	N Not used

**Remark:**

An internal location within the ship-to's premises, where goods are moved to after they have been unloaded, e.g. an assembly line, an internal warehouse, etc.

not used for PROACT

**Example:** LOC+18+DOCK 5::92:X'

MaxOcc = Maximum occurrence of the segment/group; St = Status: M=Mandatory, C=Conditional, R=Required, O=Optional, D=Dependent, A=Advised, N=Not used

### 3. SEGMENTS

Tag	St	MaxOcc	Name			
<b>SG12</b>	R	9999	<b>Scheduled Article Details</b>			
<b>LIN</b>	M	1	<b>Line item</b>			
EDIFACT			vitesco			
Tag	Name	St	Format	St	Format	Usage / Remark
1082	Line item identifier	C	an..6	O	an..6	<b>1 fix value</b>
1229	Action request/notification description code	C	an..3	O	an..3	<b>1 Added</b> <b>2 Deleted</b> <b>9 Amendments</b> <b>38 Replaced</b> Code indicating action required as a result of the new instruction. Code 1 - individual schedule lines are added to the existing schedule. Code 2 - individual schedule lines are deleted from the existing schedule. Code 9 - Amendments - means the shedule lines of a previous forecast/ instruction are replaced only for the specific horizon indicated. All figures before and after remain valid. This requires an effective from and an effective to date on the header level. Code 38 - the complete previous forecast / instruction for this line item is replaced by new figures for the full horizon. The horizon boundaries are replaced as well. It implies that the old forecast is deleted. Example: old forecast was July to December, new forecast is July to November: all figures for July to November are replaced by the new ones and figures for December are to be deleted. See also remarks on Schedule Scope Code (DE 7365 in GEI segment). It is a recommended business practice to use at least one times a zero quantity schedule line for articles that have been part of previous schedules but are now no longer part of the schedule in the case of the 'complete replacement' situation.
C212	Item number identification	C		O		
7140	Item identifier	C	an..35	R	an..35	Information directly relating to the identification of an article by the buyer's identification system. Note: The term article is synonym with the term item. Since in Odette and in the global joint automotive projects the term article has been used, this naming convention has been continued. Part number
7143	Item type identification code	C	an..3	O	an..3	<b>IN Buyer's item number</b>
1131	Code list identification code		an..17	N		Not used

MaxOcc = Maximum occurrence of the segment/group; St = Status: M=Mandatory, C=Conditional, R=Required, O=Optional, D=Dependent, A=Advised, N=Not used

EDIFACT			vitesco		
Tag	Name	St Format	St	Format	Usage / Remark
3055	Code list responsible agency code	an..3	N		Not used
C829	Sub-line information		N		
5495	Sub-line indicator code	an..3	N		Not used
1082	Line item identifier	an..6	N		Not used
1222	Configuration level number	n..2	N		Not used
7083	Configuration operation code	an..3	N		Not used

**Remark:**

An article required by the buyer, which is scheduled to be delivered. All other segments in the detail section following the LIN segment refer to the line item.

**Example:** LIN+1+1+PN-32212:IN'

### 3. SEGMENTS

Tag	St	MaxOcc	Name			
<b>SG12</b>	R	9999	<b>Scheduled Article Details</b>			
<b>PIA</b>	O	1	<b>Additional product id</b>			
EDIFACT			vitesco			
Tag	Name	St	Format	St	Format	Usage / Remark
4347	Product identifier code qualifier	M	an..3	M	an..3	<b>1 Additional identification</b>
C212	Item number identification	M		M		
7140	Item identifier	C	an..35	R	an..35	Information directly relating to the identification of an item by the seller's identification system. Note: The term article is synonymous with the term item. Since in Odette and in the global joint automotive projects the term article has been used, this naming convention has been continued.
1131	Code list identification code		an..17	N		Not used
3055	Code list responsible agency code		an..3	N		Not used
C212	Item number identification			N		
7140	Item identifier		an..35	N		Not used
7143	Item type identification code		an..3	N		Not used
1131	Code list identification code		an..17	N		Not used
3055	Code list responsible agency code		an..3	N		Not used
C212	Item number identification			N		
7140	Item identifier		an..35	N		Not used
7143	Item type identification code		an..3	N		Not used
1131	Code list identification code		an..17	N		Not used
3055	Code list responsible agency code		an..3	N		Not used
C212	Item number identification			N		
7140	Item identifier		an..35	N		Not used
7143	Item type identification code		an..3	N		Not used
1131	Code list identification code		an..17	N		Not used
3055	Code list responsible agency code		an..3	N		Not used
C212	Item number identification			N		
7140	Item identifier		an..35	N		Not used
7143	Item type identification code		an..3	N		Not used
1131	Code list identification code		an..17	N		Not used

MaxOcc = Maximum occurrence of the segment/group; St = Status: M=Mandatory, C=Conditional, R=Required, O=Optional, D=Dependent, A=Advised, N=Not used

EDIFACT			vitesco		
Tag	Name	St Format	St	Format	Usage / Remark
3055	Code list responsible agency code	an..3	N		Not used

**Remark:**

not used for PROACT

**Example:** PIA+1+C2'

### 3. SEGMENTS

Tag	St	MaxOcc	Name			
<b>SG12</b>	R	9999	<b>Scheduled Article Details</b>			
<b>PIA</b>	O	1	<b>Additional product id</b>			
			EDIFACT	vitesco		
Tag	Name	St	Format	St	Format	Usage / Remark
4347	Product identifier code qualifier	M	an..3	M	an..3	<b>1 Additional identification</b>
C212	Item number identification	M		M		
7140	Item identifier	C	an..35	R	an..35	Information directly relating to the identification of an item by the seller's identification system. Note: The term article is synonymous with the term item. Since in Odette and in the global joint automotive projects the term article has been used, this naming convention has been continued.
7143	Item type identification code	C	an..3	R	an..3	<b>EC Engineering change level</b>
1131	Code list identification code		an..17	N		Not used
3055	Code list responsible agency code		an..3	N		Not used
C212	Item number identification			N		
7140	Item identifier		an..35	N		Not used
7143	Item type identification code		an..3	N		Not used
1131	Code list identification code		an..17	N		Not used
3055	Code list responsible agency code		an..3	N		Not used
C212	Item number identification			N		
7140	Item identifier		an..35	N		Not used
7143	Item type identification code		an..3	N		Not used
1131	Code list identification code		an..17	N		Not used
3055	Code list responsible agency code		an..3	N		Not used
C212	Item number identification			N		
7140	Item identifier		an..35	N		Not used
7143	Item type identification code		an..3	N		Not used
1131	Code list identification code		an..17	N		Not used
3055	Code list responsible agency code		an..3	N		Not used
C212	Item number identification			N		
7140	Item identifier		an..35	N		Not used
7143	Item type identification code		an..3	N		Not used

MaxOcc = Maximum occurrence of the segment/group; St = Status: M=Mandatory, C=Conditional, R=Required, O=Optional, D=Dependent, A=Advised, N=Not used

EDIFACT			vitesco		
Tag	Name	St Format	St	Format	Usage / Remark
1131	Code list identification code	an..17	N		Not used
3055	Code list responsible agency code	an..3	N		Not used

**Remark:**

**Example:** PIA+1+C2:UA'

### 3. SEGMENTS

Tag	St	MaxOcc	Name			
<b>SG12</b>	R	9999	<b>Scheduled Article Details</b>			
<b>IMD</b>	O	10	<b>Item short description</b>			
EDIFACT			vitesco			
Tag	Name	St	Format	St	Format	Usage / Remark
7077	Description format code	C	an..3	O	an..3	Code specifying the format of a description. <b>F Free-form</b> Code F - Data description should be placed in data element 7008. Code S - Structured code information should be placed in data element 7009. Code X - Both data element 7008 and 7009 should be used.
C272	Item characteristic	C		O		
7081	Item characteristic code	C	an..3	R	an..3	<b>4 Finish</b> <b>5 End use application</b> <b>8 Product</b> <b>26 Ship to line</b> <b>32 Type of test/inspection</b> <b>61 New article</b> <b>62 Obsolete article</b> <b>63 Current article</b> <b>66 Current article spares</b> <b>67 Balance out article</b> <b>79 Other physical description</b> <b>116 Corrosion resistance</b>
1131	Code list identification code		an..17	N		Not used
3055	Code list responsible agency code	C	an..3	O	an..3	Code specifying the agency responsible for a code list.
C273	Item description	C		O		
7009	Item description code	C	an..17	O	an..17	Code indicating the status of an article using codes from JAI code list JAI004. Open for company's individual auxilliary information.
1131	Code list identification code		an..17	N		Not used
3055	Code list responsible agency code	C	an..3	O	an..3	<b>10 ODETTE</b> <b>272 Joint Automotive Industry agency</b> Code specifying the agency responsible for a code list.
7008	Item description	C	an..35	O	an..35	The short name or description of an article or service in plain text. For Japanese business environment up to 198 lines of text may be necessary.

MaxOcc = Maximum occurrence of the segment/group; St = Status: M=Mandatory, C=Conditional, R=Required, O=Optional, D=Dependent, A=Advised, N=Not used



EDIFACT			vitesco		
Tag	Name	St Format	St	Format	Usage / Remark
7008	Item description	C an..35	O	an..35	
3453	Language name code	C an..3	O	an..3	Code specifying the language name. Use ISO 639-1988.
7383	Surface or layer code	an..3	N		Not used

**Remark:**

not used for PROACT

**Example:** IMD+F+4::10+01::10:X:X:AA'

### 3. SEGMENTS

Tag	St	MaxOcc	Name
<b>SG12</b>	R	9999	Scheduled Article Details
<b>FTX</b>	O	5	Third Party: Customer Usages Indicator
EDIFACT		vitesco	
Tag	Name	St Format	St Format Usage / Remark
4451	Text subject code qualifier	M an..3	M an..3 <b>LIN Line item</b>
4453	Free text function code	an..3	N Not used
C107	Text reference		N
4441	Free text description code	an..17	N Not used
1131	Code list identification code	an..17	N Not used
3055	Code list responsible agency code	an..3	N Not used
C108	Text literal	C	R
4440	Free text	M an..256	M an..256 A line of plain, non-structured text information.
4440	Free text	C an..256	O an..256 see 4440#1
4440	Free text	C an..256	O an..256 see 4440#1
4440	Free text	C an..256	O an..256 see 4440#1
4440	Free text	C an..256	O an..256 see 4440#1
3453	Language name code	C an..3	O an..3 Code specifying the language name. Use ISO 639-1988.
4447	Free text format code	an..3	N Not used

**Remark:**

**Example:** FTX+PRD+++X:X:X:X+AA '

MaxOcc = Maximum occurrence of the segment/group; St = Status: M=Mandatory, C=Conditional, R=Required, O=Optional, D=Dependent, A=Advised, N=Not used

### 3. SEGMENTS

Tag	St	MaxOcc	Name			
<b>SG16</b>	O	2	<b>Delivery balance</b> not used for PROACT			
<b>QTY</b>	M	1	<b>Delivery balance quantity</b>			
EDIFACT			vitesco			
Tag	Name	St	Format	St	Format	Usage / Remark
C186	Quantity details	M		M		
6063	Quantity type code qualifier	M	an..3	M	an..3	<b>83 Backorder quantity</b> Code 73 is related to an order quantity, whereas 83 indicates the difference between instructed quantity and actually received quantity.
6060	Quantity	M	n..15	M	n..15	Difference between quantity scheduled and quantity received. For positive values, the quantity scheduled is greater than the quantity received.
6411	Measurement unit code	C	an..8	O	an..8	Code specifying the unit of measurement, use UN/ECE Recommendation 20, Common code.

**Remark:**

**Example:** QTY+83:5000:05'

### 3. SEGMENTS

Tag	St	MaxOcc	Name			
<b>SG16</b>	O	99	<b>Cumulative quantity received</b>			
<b>QTY</b>	M	1	<b>Cumulative quantity received</b>			
EDIFACT			vitesco			
Tag	Name	St	Format	St	Format	Usage / Remark
C186	Quantity details	M		M		
6063	Quantity type code qualifier	M	an..3	M	an..3	<b>70 Cumulative quantity received</b>
6060	Quantity	M	n..15	R	n..15	Cumulative quantity

**Remark:**

**Example:** QTY+70:100000'

MaxOcc = Maximum occurrence of the segment/group; St = Status: M=Mandatory, C=Conditional, R=Required, O=Optional, D=Dependent, A=Advised, N=Not used

### 3. SEGMENTS

Tag	St	MaxOcc	Name			
<b>SG16</b>	O	99	Cumulative quantity received			
<b>DTM</b>	O	2	Cumulative quantity date(s)/Reconciliation Date			
EDIFACT		vitesco				
Tag	Name	St	Format	St	Format	Usage / Remark
C507	Date/time/period	M		M		
2005	Date or time or period function code qualifier	M	an..3	M	an..3	<b>51 Cumulative quantity start date</b>
2380	Date or time or period text	C	an..35	R	an..35	Start date of a given period
2379	Date or time or period format code	C	an..3	O	an..3	<b>102 CCYYMMDD</b>

**Remark:**

**Example:** DTM+51:20050101:102'

MaxOcc = Maximum occurrence of the segment/group; St = Status: M=Mandatory, C=Conditional, R=Required, O=Optional, D=Dependent, A=Advised, N=Not used

### 3. SEGMENTS

Tag	St	MaxOcc	Name
<b>SG16</b>	O	1	<b>Received quantity</b> not used for PROACT
<b>QTY</b>	M	1	<b>Despatched and received quantities</b>
EDIFACT		vitesco	
Tag	Name	St Format	St Format Usage / Remark
C186	Quantity details	M	M
6063	Quantity type code qualifier	M an..3	M an..3
6060	Quantity	M n..15	M n..15
6411	Measurement unit code	C an..8	O an..8
<b>48 Received quantity</b> Despatched Quantity Value The quantity received by the ship-to party. Code specifying the unit of measurement, use UN/ECE Recommendation 20, Common code. <b>C62 one</b>			

**Remark:**

**Example:** QTY+48:10000:C62'

MaxOcc = Maximum occurrence of the segment/group; St = Status: M=Mandatory, C=Conditional, R=Required, O=Optional, D=Dependent, A=Advised, N=Not used

### 3. SEGMENTS

Tag	St	MaxOcc	Name			
<b>SG16</b>	O	1	<b>Received quantity</b> not used for PROACT			
<b>DTM</b>	O	2	<b>Despatch and/or receipt date</b>			
EDIFACT			vitesco			
Tag	Name	St	Format	St	Format	Usage / Remark
C507	Date/time/period	M		M		
2005	Date or time or period function code qualifier	M	an..3	M	an..3	<b>310 Received date/time</b>
2380	Date or time or period text	C	an..35	R	an..35	Date/time on which the goods are or are expected to be despatched or shipped. Only to be used, if not a complete receiving advice reference is used. Date when the Ship-to party receives a shipment
2379	Date or time or period format code	C	an..3	O	an..3	<b>102 CCYYMMDD</b>

**Remark:**

**Example:** DTM+310:20040528:102'

MaxOcc = Maximum occurrence of the segment/group; St = Status: M=Mandatory, C=Conditional, R=Required, O=Optional, D=Dependent, A=Advised, N=Not used

### 3. SEGMENTS

Tag	St	MaxOcc	Name	
<b>SG17</b>	O	99	<b>Despatch / receiving document reference</b>	
<b>RFF</b>	M	1	<b>Reference</b>	
EDIFACT		vitesco		
Tag	Name	St Format	St Format Usage / Remark	
C506	Reference	M	M	
1153	Reference code qualifier	M an..3	M an..3	<b>AAU Despatch note document identifier</b>
1154	Reference identifier	C an..17	R an..17	Unique identifier of the despatch advice
1156	Document line identifier	an..6	N	Not used
4000	Reference version identifier	an..35	N	Not used
1060	Revision identifier	an..6	N	Not used

**Remark:**

Reference identifier assigned by the issuer to the document for a despatch advice

**Example:** RFF+AAU:12345'

MaxOcc = Maximum occurrence of the segment/group; St = Status: M=Mandatory, C=Conditional, R=Required, O=Optional, D=Dependent, A=Advised, N=Not used



### 3. SEGMENTS

Tag	St	MaxOcc	Name
<b>SG17</b>	O	99	Despatch / receiving document reference
<b>DTM</b>	O	1	Referenced document's date

EDIFACT			vitesco		
Tag	Name	St Format	St	Format	Usage / Remark
C507	Date/time/period	M	M		
2005	Date or time or period function code qualifier	M an..3	M	an..3	<b>171 Reference date/time</b>
2380	Date or time or period text	C an..35	R	an..35	Date, on which a document or business signal was issued.
2379	Date or time or period format code	C an..3	O	an..3	<b>102 CCYYMMDD</b>

**Remark:**

**Example:** DTM+171:X:102'

MaxOcc = Maximum occurrence of the segment/group; St = Status: M=Mandatory, C=Conditional, R=Required, O=Optional, D=Dependent, A=Advised, N=Not used

### 3. SEGMENTS

Tag	St	MaxOcc	Name			
<b>SG18</b>	D	999	<b>Scheduling data Firm</b> there is only used SCC+4/QTY+113/DTM+2			
<b>SCC</b>	M	1	<b>Scheduling conditions</b>			
EDIFACT		vitesco				
Tag	Name	St	Format	St	Format	Usage / Remark
4017	Delivery plan commitment level code	M	an..3	M	an..3	<b>1 Firm</b> Code indicating the level of commitment of a delivery instruction.
4493	Delivery instruction code		an..3	N		Not used
C329	Pattern description			N		
2013	Frequency code		an..3	N		Not used
2015	Despatch pattern code		an..3	N		Not used
2017	Despatch pattern timing code		an..3	N		Not used

**Remark:**

Information providing dates/times/periods of deliveries, quantity, and additional references valid for the item.  
 Delivery Date and Delivery Period shall be used mutually exclusive.

**Example:** SCC+1'

MaxOcc = Maximum occurrence of the segment/group; St = Status: M=Mandatory, C=Conditional, R=Required, O=Optional, D=Dependent, A=Advised, N=Not used

### 3. SEGMENTS

Tag	St	MaxOcc	Name
<b>SG19</b>	R	999	<b>Scheduled quantity</b>
<b>QTY</b>	M	1	<b>Quantity</b>

EDIFACT			vitesco			
Tag	Name	St Format	St	Format	Usage / Remark	
C186	Quantity details	M	M			
6063	Quantity type code qualifier	M an..3	M	an..3	<p><b>113 Quantity to be delivered</b></p> <p>Code identifying the reason of the delivery instruction.</p> <p>In North America, code 1 is used to indicate the forecast nature of this quantity. However, in Europe usually only the SCC indicates whether it is forecast or firm delivery instruction. Code 1 and 113 are synonyms in this sense.</p> <p>Codes 18, 21, 143, and 167 are considered as auxiliary information, which has to be preceded by actual delivery requirements.</p> <p>Code 18 - a quantity in a given past or previous period - for statistical or trend reasons</p> <p>Code 21 - is referring to the forecasted figure in comparison with the actual instructed delivery quantity.</p> <p>Code 143- in case of a run out process, the remaining quantity up to the end of production is indicated</p> <p>Code 167 - accumulation of all individual schedule lines for this article</p>	
6060	Quantity	M n..15	M	n..15		Quantity scheduled by the buyer (material release issuer) to be delivered at a specified point in time or within a period.
6411	Measurement unit code	C an..8	C	an..8		Code specifying the unit of measurement, use UN/ECE Recommendation 20, Common code.

**Remark:**

**Example:** QTY+113:4500:C62'

### 3. SEGMENTS

Tag	St	MaxOcc	Name	
<b>SG19</b>	R	999	Scheduled quantity	
<b>DTM</b>	O	9	Scheduled date(s)	
EDIFACT		vitesco		
Tag	Name	St Format	St Format Usage / Remark	
C507	Date/time/period	M	M	
2005	Date or time or period function code qualifier	M an..3	R an..3	<b>2 Delivery date/time, requested</b> The codes are used to indicate: Code 2 - delivery at destination, fixed date
2380	Date or time or period text	C an..35	R an..35	Date / period
2379	Date or time or period format code	C an..3	O an..3	<b>102 CCYYMMDD</b>

**Remark:**

**Example:** DTM+2:20040610:102'

MaxOcc = Maximum occurrence of the segment/group; St = Status: M=Mandatory, C=Conditional, R=Required, O=Optional, D=Dependent, A=Advised, N=Not used

### 3. SEGMENTS

Tag	St	MaxOcc	Name
<b>SG19</b>	R	999	<b>Scheduled quantity</b>
<b>DTM</b>	R	9	<b>Delivery date/time, earliest</b>
EDIFACT		vitesco	
Tag	Name	St Format	St Format Usage / Remark
C507	Date/time/period	M	M
2005	Date or time or period function code qualifier	M an..3	R an..3
2380	Date or time or period text	C an..35	R an..35
2379	Date or time or period format code	C an..3	O an..3
<p style="text-align: center;"><b>64 Delivery date/time, earliest</b></p> <p>The codes are used to indicate:                  Code 64 - shipment (delivery initiated)date/time of departure, earliest</p> <p style="text-align: center;"><b>102 CCYYMMDD</b></p>			

**Remark:**

**Example:** DTM+64:20040610:102'

MaxOcc = Maximum occurrence of the segment/group; St = Status: M=Mandatory, C=Conditional, R=Required, O=Optional, D=Dependent, A=Advised, N=Not used

### 3. SEGMENTS

Tag	St	MaxOcc	Name
<b>SG19</b>	R	999	<b>Scheduled quantity</b>
<b>DTM</b>	R	9	<b>Delivery date time, last</b>
EDIFACT		vitesco	
Tag	Name	St Format	St Format Usage / Remark
C507	Date/time/period	M	M
2005	Date or time or period function code qualifier	M an..3	R an..3
2380	Date or time or period text	C an..35	R an..35
2379	Date or time or period format code	C an..3	O an..3
<p style="text-align: center;"><b>63 Delivery date time, last</b></p> <p>The codes are used to indicate:                  Code 63 - shipment (delivery initiated) date/time of departure, latest</p> <p style="text-align: center;"><b>102 CCYYMMDD</b></p>			

**Remark:**

**Example:** DTM+63:20040610:102'

MaxOcc = Maximum occurrence of the segment/group; St = Status: M=Mandatory, C=Conditional, R=Required, O=Optional, D=Dependent, A=Advised, N=Not used

### 3. SEGMENTS

Tag	St	MaxOcc	Name
<b>SG18</b>	O	999	<b>Commitment for manufacturing and material</b>
<b>SCC</b>	M	1	<b>Scheduling conditions</b>

EDIFACT			vitesco		
Tag	Name	St Format	St	Format	Usage / Remark
4017	Delivery plan commitment level code	M an..3	M	an..3	<b>2 Commitment for manufacturing and material</b> <b>3 Commitment for material</b> Code indicating the buyer's level of commitment for the cumulative quantities scheduled.
4493	Delivery instruction code	an..3	N		Not used
C329	Pattern description		N		
2013	Frequency code	an..3	N		Not used
2015	Despatch pattern code	an..3	N		Not used
2017	Despatch pattern timing code	an..3	N		Not used

**Remark:**

Providing the level of commitment of the buyer, per type of commitment.  
 The authorisation may be given: -  
 - as a discrete quantity  
 - for a period in terms of start and end date  
 - for a period in terms of number of periods

**Example:** SCC+2'

MaxOcc = Maximum occurrence of the segment/group; St = Status: M=Mandatory, C=Conditional, R=Required, O=Optional, D=Dependent, A=Advised, N=Not used

### 3. SEGMENTS

Tag	St	MaxOcc	Name			
<b>SG19</b>	R	999	<b>Quantity to be delivered</b>			
<b>QTY</b>	M	1	<b>Quantity</b>			
EDIFACT			vitesco			
Tag	Name	St	Format	St	Format	Usage / Remark
C186	Quantity details	M		M		
6063	Quantity type code qualifier	M	an..3	M	an..3	Code identifying the reason of the delivery instruction. <b>113 Quantity to be delivered</b> In North America, code 1 is used to indicate the forecast nature of this quantity. However, in Europe usually only the SCC indicates whether it is forecast or firm delivery instruction. Code 1 and 113 are synonyms in this sense. Codes 18, 21, 143, and 167 are considered as auxiliary information, which has to be preceded by actual delivery requirements. Code 18 - a quantity in a given past or previous period - for statistical or trend reasons Code 21 - is referring to the forecasted figure in comparison with the actual instructed delivery quantity. Code 143- in case of a run out process, the remaining quantity up to the end of production is indicated Code 167 - accumulation of all individual schedule lines for this article
6060	Quantity	M	n..15	M	n..15	Quantity scheduled by the buyer (material release issuer) to be delivered at a specified point in time or within a period.
6411	Measurement unit code	C	an..8	O	an..8	Code specifying the unit of measurement, use UN/ECE Recommendation 20, Common code.

**Remark:**

**Example:** QTY+113:4500:C62'

MaxOcc = Maximum occurrence of the segment/group; St = Status: M=Mandatory, C=Conditional, R=Required, O=Optional, D=Dependent, A=Advised, N=Not used



### 3. SEGMENTS

Tag	St	MaxOcc	Name			
<b>SG19</b>	R	999	<b>Quantity to be delivered</b>			
<b>DTM</b>	R	9	<b>Delivery date/time, earliest</b>			
EDIFACT			vitesco			
Tag	Name	St	Format	St	Format	Usage / Remark
C507	Date/time/period	M		M		
2005	Date or time or period function code qualifier	M	an..3	R	an..3	<b>64 Delivery date/time, earliest</b> The codes are used to indicate: Code 64 - shipment (delivery initiated)date/time of departure, earliest
2380	Date or time or period text	C	an..35	R	an..35	Date / period
2379	Date or time or period format code	C	an..3	O	an..3	<b>102 CCYYMMDD</b>

**Remark:**

**Example:** DTM+64:20040610:102'

MaxOcc = Maximum occurrence of the segment/group; St = Status: M=Mandatory, C=Conditional, R=Required, O=Optional, D=Dependent, A=Advised, N=Not used

### 3. SEGMENTS

Tag	St	MaxOcc	Name			
<b>SG19</b>	R	999	<b>Quantity to be delivered</b>			
<b>DTM</b>	R	9	<b>Delivery date time, last</b>			
EDIFACT		vitesco				
Tag	Name	St	Format	St	Format	Usage / Remark
C507	Date/time/period	M		M		
2005	Date or time or period function code qualifier	M	an..3	R	an..3	<b>63 Delivery date time, last</b> The codes are used to indicate: Code 63 - shipment (delivery initiated) date/time of departure, latest
2380	Date or time or period text	C	an..35	R	an..35	Date / period
2379	Date or time or period format code	C	an..3	O	an..3	<b>102 CCYYMMDD</b>

**Remark:**

**Example:** DTM+63:20040610:102'

MaxOcc = Maximum occurrence of the segment/group; St = Status: M=Mandatory, C=Conditional, R=Required, O=Optional, D=Dependent, A=Advised, N=Not used

### 3. SEGMENTS

Tag	St	MaxOcc	Name
<b>SG19</b>	R	999	Quantity to be delivered
<b>DTM</b>	O	9	Delivery date/time, requested
EDIFACT		vitesco	
Tag	Name	St Format	St Format Usage / Remark
C507	Date/time/period	M	M
2005	Date or time or period function code qualifier	M an..3	R an..3
2380	Date or time or period text	C an..35	R an..35
2379	Date or time or period format code	C an..3	O an..3
<p style="text-align: center;"><b>2 Delivery date/time, requested</b></p> <p>The codes are used to indicate:                  Code 2 - delivery at destination, fixed date</p> <p style="text-align: center;"><b>102 CCYYMMDD</b></p>			

**Remark:**

**Example:** DTM+2:20040610:102'

MaxOcc = Maximum occurrence of the segment/group; St = Status: M=Mandatory, C=Conditional, R=Required, O=Optional, D=Dependent, A=Advised, N=Not used

### 3. SEGMENTS

Tag	St	MaxOcc	Name			
<b>SG19</b>	O	999	<b>Latest cumulative quantity</b>			
<b>QTY</b>	M	1	<b>Quantity</b>			
EDIFACT			vitesco			
Tag	Name	St	Format	St	Format	Usage / Remark
C186	Quantity details	M		M		<b>74 Latest cumulative quantity</b> ZZZ may be used if QTY transmits the number of periods and the period type is specified in DTM+273. Code 207 is used to indicate the total order cycle hours, which is defined as the number of working hours in the total order cycle.
6063	Quantity type code qualifier	M	an..3	M	an..3	
6060	Quantity	M	n..15	M	n..15	Actual number of periods (days, weeks etc.) belonging to a schedule or similar time horizons. The highest quantity of an item previously scheduled from a specified start date. Discrete quantity of materials or finished goods authorised to be produced or purchased to meet the expected requirements of the buyer as committed in a forecast or schedule.
6411	Measurement unit code	C	an..8	O	an..8	Code specifying the unit of measurement, use UN/ECE Recommendation 20, Common code.

**Remark:**

**Example:** QTY+74:10000:C62'

### 3. SEGMENTS

Tag	St	MaxOcc	Name			
<b>SG19</b>	O	999	<b>Latest cumulative quantity</b>			
<b>DTM</b>	R	9	<b>Authorization date</b>			
EDIFACT			vitesco			
Tag	Name	St	Format	St	Format	Usage / Remark
2380	Date or time or period text	C	an..35	R	an..35	Date / period
2379	Date or time or period format code	C	an..3	O	an..3	<b>102 CCYYMMDD</b>

**Remark:**

**Example:** DTM+:20040610:102'

MaxOcc = Maximum occurrence of the segment/group; St = Status: M=Mandatory, C=Conditional, R=Required, O=Optional, D=Dependent, A=Advised, N=Not used

### 3. SEGMENTS

Tag	St	MaxOcc	Name			
<b>SG18</b>	D	999	<b>Scheduling data Planning/forecast</b>			
<b>SCC</b>	M	1	<b>Scheduling conditions</b>			
EDIFACT			vitesco			
Tag	Name	St	Format	St	Format	Usage / Remark
4017	Delivery plan commitment level code	M	an..3	M	an..3	<b>4 Planning/forecast</b> Code indicating the level of commitment of a delivery instruction.
4493	Delivery instruction code		an..3	N		Not used
C329	Pattern description			N		
2013	Frequency code		an..3	N		Not used
2015	Despatch pattern code		an..3	N		Not used
2017	Despatch pattern timing code		an..3	N		Not used

**Remark:**

Information providing dates/times/periods of deliveries, quantity, and additional references valid for the item.

Delivery Date and Delivery Period shall be used mutually exclusive.

there is only used SCC+4/QTY+113/DTM+2

**Example:** SCC+4'

### 3. SEGMENTS

Tag	St	MaxOcc	Name			
<b>SG19</b>	R	999	<b>Scheduled quantity</b>			
<b>QTY</b>	M	1	<b>Quantity</b>			
EDIFACT			vitesco			
Tag	Name	St	Format	St	Format	Usage / Remark
C186	Quantity details	M		M		<b>113 Quantity to be delivered</b> Code identifying the reason of the delivery instruction. In North America, code 1 is used to indicate the forecast nature of this quantity. However, in Europe usually only the SCC indicates whether it is forecast or firm delivery instruction. Code 1 and 113 are synonyms in this sense. Codes 18, 21, 143, and 167 are considered as auxiliary information, which has to be preceded by actual delivery requirements. Code 18 - a quantity in a given past or previous period - for statistical or trend reasons Code 21 - is referring to the forecasted figure in comparison with the actual instructed delivery quantity. Code 143- in case of a run out process, the remaining quantity up to the end of production is indicated Code 167 - accumulation of all individual schedule lines for this article
6063	Quantity type code qualifier	M	an..3	M	an..3	
6060	Quantity	M	n..15	M	n..15	Quantity scheduled by the buyer (material release issuer) to be delivered at a specified point in time or within a period.
6411	Measurement unit code	C	an..8	C	an..8	Code specifying the unit of measurement, use UN/ECE Recommendation 20, Common code.

**Remark:**

**Example:** QTY+113:4500:C62'

MaxOcc = Maximum occurrence of the segment/group; St = Status: M=Mandatory, C=Conditional, R=Required, O=Optional, D=Dependent, A=Advised, N=Not used

### 3. SEGMENTS

Tag	St	MaxOcc	Name
<b>SG19</b>	R	999	Scheduled quantity
<b>DTM</b>	O	9	Scheduled date(s)
EDIFACT		vitesco	
Tag	Name	St Format	St Format Usage / Remark
C507	Date/time/period	M	M
2005	Date or time or period function code qualifier	M an..3	R an..3
2380	Date or time or period text	C an..35	R an..35
2379	Date or time or period format code	C an..3	O an..3
<b>2 Delivery date/time, requested</b> The codes are used to indicate: Code 2 - delivery at destination, fixed date			
<b>102 CCYYMMDD</b>			

**Remark:**

**Example:** DTM+2:20040610:102'

MaxOcc = Maximum occurrence of the segment/group; St = Status: M=Mandatory, C=Conditional, R=Required, O=Optional, D=Dependent, A=Advised, N=Not used



### 3. SEGMENTS

Tag	St	MaxOcc	Name
<b>SG19</b>	R	999	<b>Scheduled quantity</b>
<b>DTM</b>	R	9	<b>Delivery date time, last</b>
EDIFACT		vitesco	
Tag	Name	St Format	St Format Usage / Remark
C507	Date/time/period	M	M
2005	Date or time or period function code qualifier	M an..3	R an..3
2380	Date or time or period text	C an..35	R an..35
2379	Date or time or period format code	C an..3	O an..3
<p style="text-align: center;"><b>63 Delivery date time, last</b></p> <p>The codes are used to indicate:                  Code 63 - shipment (delivery initiated) date/time of departure, latest</p> <p style="text-align: center;"><b>102 CCYYMMDD</b></p>			

**Remark:**

**Example:** DTM+63:20040610:102'

MaxOcc = Maximum occurrence of the segment/group; St = Status: M=Mandatory, C=Conditional, R=Required, O=Optional, D=Dependent, A=Advised, N=Not used

### 3. SEGMENTS

Tag	St	MaxOcc	Name			
<b>SG19</b>	R	999	<b>Scheduled quantity</b>			
<b>DTM</b>	R	9	<b>Delivery date/time, earliest</b>			
EDIFACT			vitesco			
Tag	Name	St	Format	St	Format	Usage / Remark
C507	Date/time/period	M		M		
2005	Date or time or period function code qualifier	M	an..3	R	an..3	<b>64 Delivery date/time, earliest</b> The codes are used to indicate: Code 64 - shipment (delivery initiated)date/time of departure, earliest
2380	Date or time or period text	C	an..35	R	an..35	Date / period
2379	Date or time or period format code	C	an..3	O	an..3	<b>102 CCYYMMDD</b>

**Remark:**

**Example:** DTM+64:20040610:102'

MaxOcc = Maximum occurrence of the segment/group; St = Status: M=Mandatory, C=Conditional, R=Required, O=Optional, D=Dependent, A=Advised, N=Not used

### 3. SEGMENTS

Tag	St	MaxOcc	Name			
<b>UNT</b>	M	1	<b>Message trailer</b>			
EDIFACT			vitesco			
Tag	Name	St	Format	St	Format	Usage / Remark
0074	Number of segments in the message	M	n..6	M	n..6	
0062	Message reference number	M	an..14	M	an..14	

**Remark:**

**Example:** UNT+122+123456'

MaxOcc = Maximum occurrence of the segment/group; St = Status: M=Mandatory, C=Conditional, R=Required, O=Optional, D=Dependent, A=Advised, N=Not used

### 3. SEGMENTS

Tag	St	MaxOcc	Name			
<b>UNZ</b>	M	1	Interchange trailer			
EDIFACT		vitesco				
Tag	Name	St	Format	St	Format	Usage / Remark
0036	Interchange control count	M	n..6	M	n..6	
0020	Interchange control reference	M	an..14	M	an..14	Repetition of the value transmitted in UNB data element 0020.

**Remark:**

**Example:** UNZ+1+144659'

#### 4. EXAMPLE MESSAGE

No	Tag	Example
01	<b>UNA</b>	UNA:+.? '
02	<b>UNB</b>	UNB+UNOC:3+OD012345:59:123+987654321:1:X+071205:1446+144659+++++1'
03	<b>UNH</b>	UNH+123456+DELFOR:D:04A:UN:GA0511'
04	<b>BGM</b>	BGM+241:::text+231234:02:A+5'
05	<b>DTM</b>	DTM+137:20040523:102'
06	<b>DTM</b>	DTM+161:20040523:102'
07	<b>DTM</b>	DTM+158:20040101:102'
08	<b>DTM</b>	DTM+159:20041231:102'
11	<b>DTM</b>	DTM+157:20040101:102'
12	<b>DTM</b>	DTM+36:20040101:102'
17	<b>FTX</b>	FTX+AAR+++Inco-Terms:::X+DE'
	<b>SG1</b>	
18	<b>RFF</b>	RFF+BO:X:X'
	<b>SG1</b>	
20	<b>RFF</b>	RFF+AIF:X:X'
	<b>SG2</b>	
28	<b>NAD</b>	NAD+BY+88012::92+X:::X+OEM INC:X+Industry Road 13:X+Smalltown++12345+DE'
	<b>SG4</b>	
29	<b>CTA</b>	CTA+DL+ACCT'
30	<b>COM</b>	COM+0123456789012:TE'
	<b>SG4</b>	
35	<b>CTA</b>	CTA+SC+:Scheduling'
36	<b>COM</b>	COM+0123456789012:TE'
	<b>SG2</b>	
52	<b>NAD</b>	NAD+SU+88012::92+ABC OEM:X:X:X+X:X+X:X+X+AE-AJ+X+DE'
	<b>SG2</b>	
61	<b>NAD</b>	NAD+SF+88012::92+ABC OEM:X:X:X+X:X+X:X+X+AE-AJ+X+DE'
	<b>SG6</b>	
69	<b>GEI</b>	GEI+3+37'
	<b>SG7</b>	
70	<b>NAD</b>	NAD+ST+082864711::92'
71	<b>LOC</b>	LOC+11+DOCK 5::92:X'
72	<b>LOC</b>	LOC+18+DOCK 5::92:X'
	<b>SG12</b>	

No = Consecutive segment number

No	Tag	Example
86	<b>LIN</b>	LIN+1+1+PN-32212:IN'
87	<b>PIA</b>	PIA+1+C2:VN'
88	<b>PIA</b>	PIA+1+C2:UA'
91	<b>IMD</b>	IMD+F+4:::10+01:::10:X:X:AA'
98	<b>FTX</b>	FTX+PRD+++X:X:X:X+AA'
	<b>SG16</b>	
107	<b>QTY</b>	QTY+83:5000:05'
	<b>SG16</b>	
109	<b>QTY</b>	QTY+70:100000:C62'
110	<b>DTM</b>	DTM+51:20050101:102'
	<b>SG16</b>	
116	<b>QTY</b>	QTY+48:10000:C62'
117	<b>DTM</b>	DTM+310:20040528:102'
	<b>SG17</b>	
118	<b>RFF</b>	RFF+AAU:12345'
119	<b>DTM</b>	DTM+171:X:102'
	<b>SG18</b>	
124	<b>SCC</b>	SCC+1'
	<b>SG19</b>	
125	<b>QTY</b>	QTY+113:4500:C62'
126	<b>DTM</b>	DTM+2:20040610:102'
127	<b>DTM</b>	DTM+64:20040610:102'
128	<b>DTM</b>	DTM+63:20040610:102'
	<b>SG18</b>	
130	<b>SCC</b>	SCC+2'
	<b>SG19</b>	
131	<b>QTY</b>	QTY+113:4500:C62'
132	<b>DTM</b>	DTM+64:20040610:102'
133	<b>DTM</b>	DTM+63:20040610:102'
134	<b>DTM</b>	DTM+2:20040610:102'
	<b>SG19</b>	
136	<b>QTY</b>	QTY+74:10000:C62'
137	<b>DTM</b>	DTM+160:20040610:102'
	<b>SG18</b>	
138	<b>SCC</b>	SCC+4'
	<b>SG19</b>	

No = Consecutive segment number

No	Tag	Example
139	<b>QTY</b>	QTY+113:4500:C62'
140	<b>DTM</b>	DTM+2:20040610:102'
141	<b>DTM</b>	DTM+63:20040610:102'
142	<b>DTM</b>	DTM+64:20040610:102'
165	<b>UNT</b>	UNT+122+123456'
166	<b>UNZ</b>	UNZ+1+144659'

No = Consecutive segment number