

# GLOBAL DESADV

**BASED ON DESADV - DESPATCH ADVICE MESSAGE  
UN D.07A S3**

Version: JAI 2.0  
Variant: 2018 Vitesco Technologies  
Issue date: 31.10.2008  
Author: Vitesco Technologies

## CONTENTS

1 Message Structure .....	3
2 Branching Diagram .....	5
3 Segments.....	10
4 Example .....	63

## 1. STRUCTURE / TABLE OF CONTENTS

Tag	St	MaxOcc	Content	
UNA	R	1	Service string advice	UNA:+.? '
UNB	M	1	Interchange header	UNB+UNOC:3+X:1:X+X:1:X+080617:1009+X+X +X+A+1+X+1'
UNH	M	1	Message header	UNH+ABC123+DESADV:D:07A:UN:GA0220'
BGM	M	1	Beginning of message	BGM+351:::ABC123+ABC123:::1+1+AB'
DTM	R	1	Despatch advice date	DTM+137:20021201:102'
DTM	R	1	Estimated arrival date	DTM+132:20021202:102'
MEA	R	1	Consignment's gross weight	MEA+AAX+AAD+KGM:1000'
MEA	R	1	Consignment's net weight	MEA+AAX+AAL+KGM:950'
SG1	O	1	Transport document reference	
RFF	M	1	Transport document reference	RFF+AAS:TD-2002-101:120'
DTM	O	1	Reference date (transport document)	DTM+171:20021123:102'
SG2	R	1	Ship to	
NAD	M	1	Ship to's name and address	NAD+ST+33:::92+ABC123:::ABC123+Name1:N ame2+Street1:Street2++++DE'
LOC	O	1	Place of discharge	LOC+11+W0001:::92:LocationName'
SG2	R	1	Buyer	
NAD	M	1	Buyer's name and address	NAD+BY+BuyerID:::92+ABC123:::ABC123+Bu yerName1:BuyerName2+Street1:Street2+Bu yerCity++12345+DE'
SG2	R	1	Seller / Supplier	
NAD	M	1	Seller's name and address	NAD+SU+100-98654:::92+123ABC:::ABC123+ SupplierName1:SupplierName2+Street1:St reet2+SupplierCity++45678+DE'
SG6	O	1	Means of transport	
TDT	M	1	Means of transport	TDT+12++30'
SG8	O	10	Equipment	
EQD	M	1	Equipment details	EQD+CN+12345'
SG10	R	9999	Despatch control line / group of inner packaging items and article line	
CPS	M	1	Consignment packing sequence	CPS+10+1+1'
SG11	O	9999	Group of inner packaging items	
PAC	M	1	Package	PAC+5+:35:11+BE:::92'
MEA	O	1	Gross weight	MEA+AAY+G+KGM:1000'
MEA	O	1	Net weight	MEA+AAY+AAL+KGM:990'
MEA	O	1	Length	MEA+AAY+LN+CMT:100'
MEA	O	1	Width	MEA+AAY+WD+CMT:100'
MEA	O	1	Height	MEA+AAY+HT+CMT:100'
QTY	R	1	Actual quantity per package	QTY+52:10:C62'
SG13	O	1	Individual packaging item	
PCI	M	1	Package identification	PCI+17+455485++1J:::92'
RFF	D	1	Reference to outer package	RFF+ACI:#443'
SG14	O	1	Production batch	
GIR	M	1	Trigger segment	GIR+1+Charge:BX'

MaxOcc = Maximum occurrence of the segment/  
 group

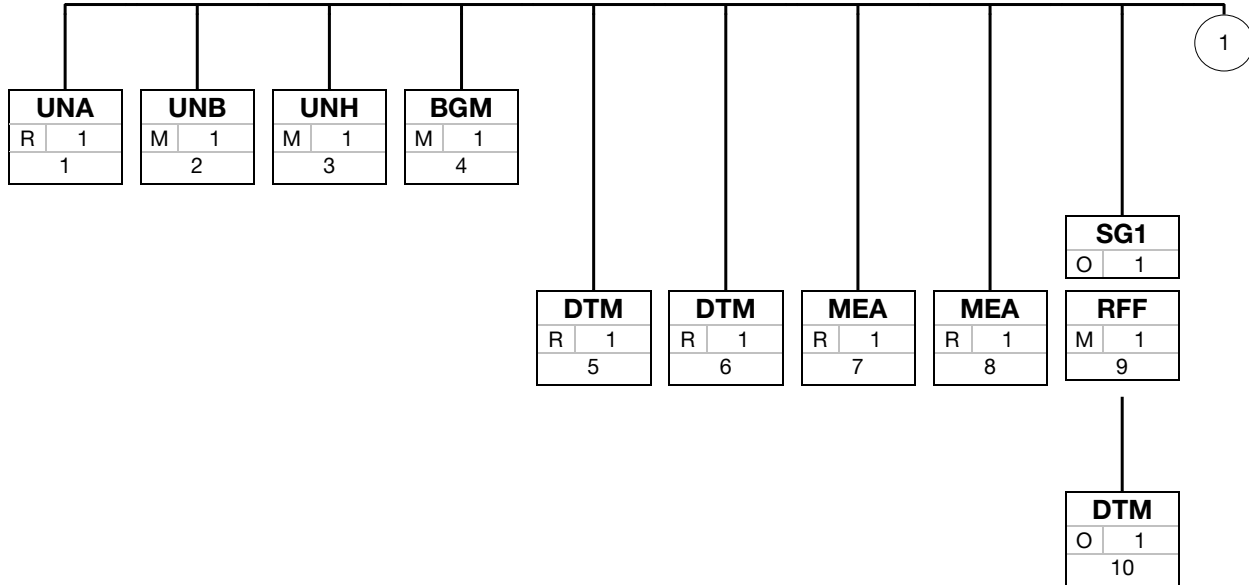
St = Status: M=Mandatory, C=Conditional, R=Required, O=Optional,  
 D=Dependent, A=Advised, N=Not used

Tag	St	MaxOcc	Content	
SG15	R	99	Label number(s)	
GIN	M	1	Label serial number(s)	GIN+ML+#01+#03+#05+#07+#09'
SG17	R	9999	Article and Despatched Article	
LIN	M	1	Line item	LIN+1++ABC123:IN'
PIA	R	1	Additional product id	PIA+1+76543:SA+EngineeringChangeLevel:EC+X:AA'
MEA	O	1	Net weight	MEA+PD+AAL+KGM:10'
QTY	R	1	Despatched quantity	QTY+12:50:C62'
ALI	O	1	Country of origin	ALI+SE'
SG18	O	1	Delivery instruction / schedule reference	
RFF	M	1	Delivery instruction / schedule reference	RFF+AAN:12345:050'
DTM	O	1	Reference date	DTM+171:20021101:102'
SG18	R	1	Order reference	
RFF	M	1	Order reference	RFF+ON:ABC123:1'
SG10	O	9999	List of handling unit groups	
CPS	M	1	Consignment packing sequence	CPS+30++3'
SG11	R	1	Handling unit group details	
PAC	M	1	Package	PAC+1+:35+1W::92'
MEA	O	1	Length	MEA+AAZ+LN+MTR:1.2'
MEA	O	1	Width	MEA+AAZ+WD+MTR:1.0'
MEA	O	1	Height	MEA+AAZ+HT+MTR:1.2'
SG13	R	1	List of individual handling units	
PCI	M	1	Handling unit label type	PCI+17+++6J::92'
SG15	R	1	Individual handling unit's transport label number	
GIN	M	1	Individual handling unit's transport label number	GIN+ML+12345'
SG15	R	98	Individual handling unit's label numbers	
GIN	M	1	Individual packaging item's label numbers	GIN+AW+67890+77890+34567+45678+45680'
SG10	O	9999	Packaging aid	
CPS	M	1	Consignment packing sequence	CPS+30++2'
SG11	O	9999	Packaging aid	
PAC	M	1	Package	PAC+2+:37+AE::92'
UNT	M	1	Message trailer	UNT+45+ABC123'
UNZ	M	1	Interchange trailer	UNZ+1+X'

MaxOcc = Maximum occurrence of the segment/  
 group

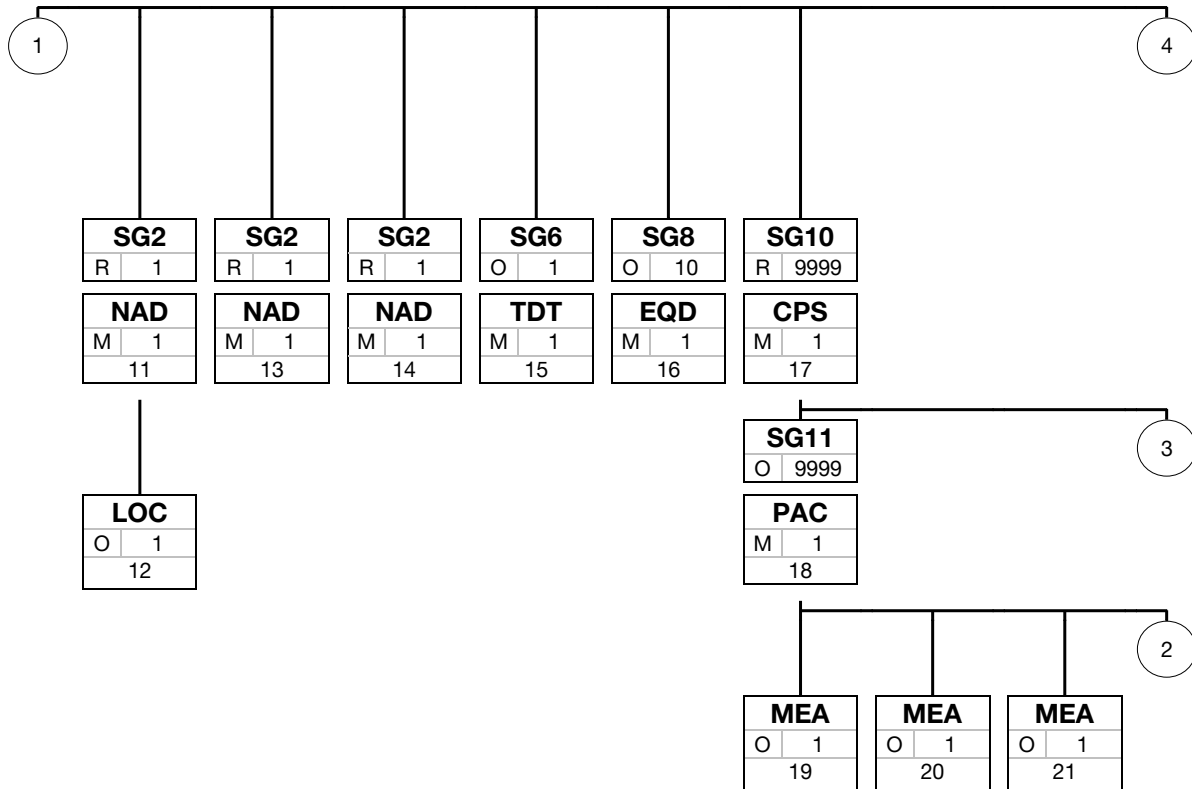
St = Status: M=Mandatory, C=Conditional, R=Required, O=Optional,  
 D=Dependent, A=Advised, N=Not used

2. BRANCHING DIAGRAM OF USED SEGMENTS/GROUPS



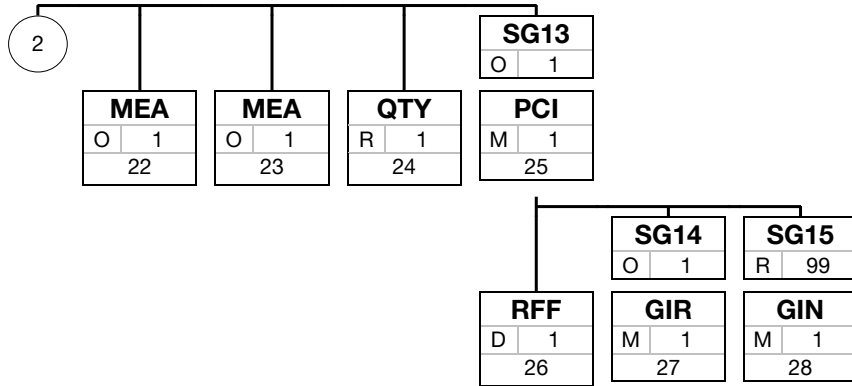
Tag
St MaxOcc
No

Tag = Segment/Group Tag  
 St = Status: M=Mandatory, C=Conditional, R=Required, O=Optional, D=Dependent, A=Advised, N=Not used  
 MaxOcc = Maximum occurrence of the segment/group  
 No = Consecutive segment number



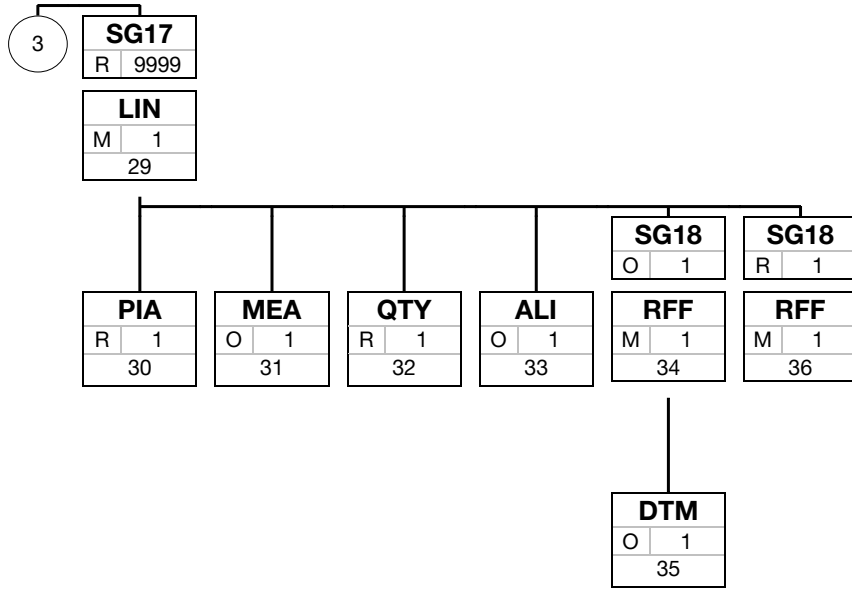
Tag
St MaxOcc
No

Tag = Segment/Group Tag  
 St = Status: M=Mandatory, C=Conditional, R=Required, O=Optional, D=Dependent, A=Advised, N=Not used  
 MaxOcc = Maximum occurrence of the segment/group  
 No = Consecutive segment number



Tag
St MaxOcc
No

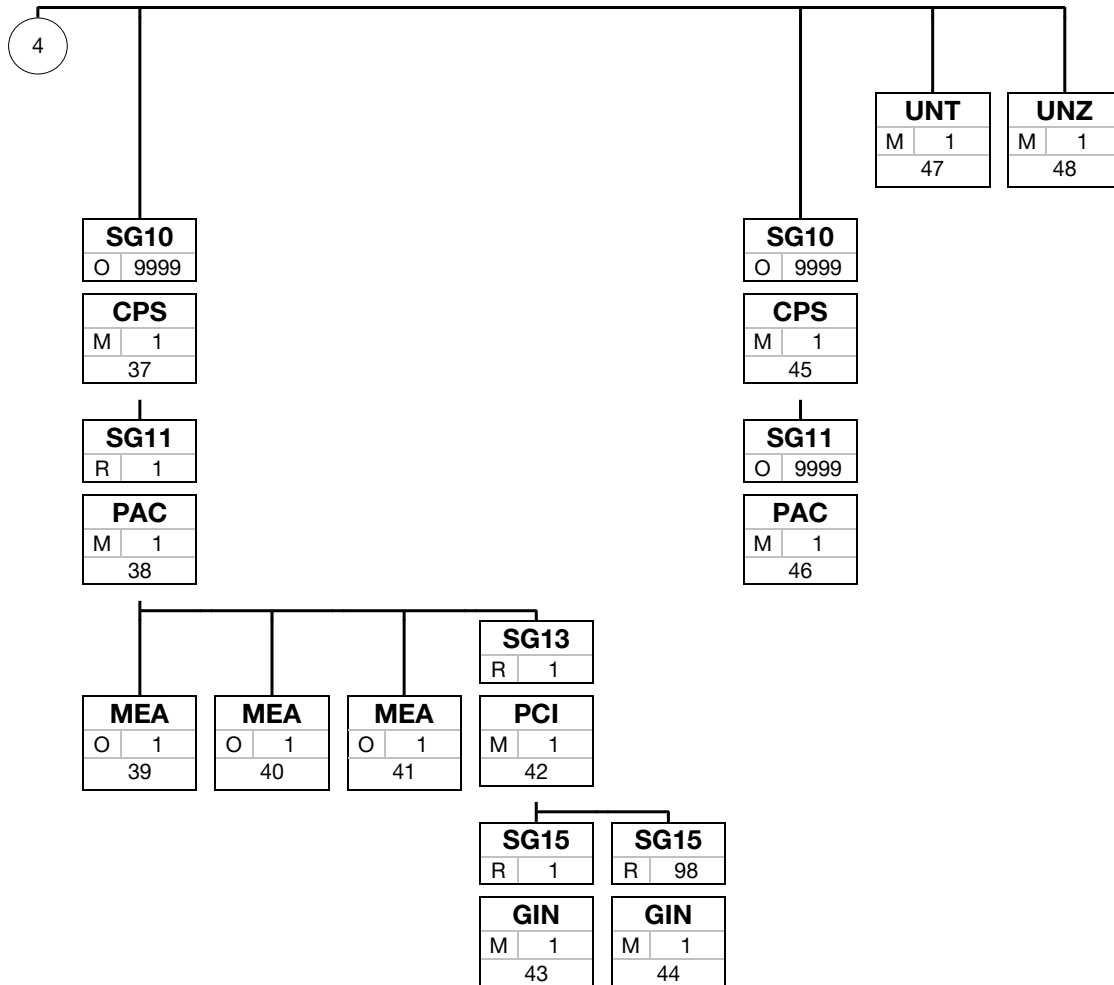
Tag = Segment/Group Tag  
 St = Status: M=Mandatory, C=Conditional, R=Required, O=Optional, D=Dependent, A=Advised, N=Not used  
 MaxOcc = Maximum occurrence of the segment/group  
 No = Consecutive segment number



Tag
St MaxOcc
No

Tag = Segment/Group Tag  
 St = Status: M=Mandatory, C=Conditional, R=Required, O=Optional, D=Dependent, A=Advised, N=Not used  
 MaxOcc = Maximum occurrence of the segment/group  
 No = Consecutive segment number





Tag	
St	MaxOcc
No	

Tag = Segment/Group Tag  
 St = Status: M=Mandatory, C=Conditional, R=Required, O=Optional, D=Dependent, A=Advised, N=Not used  
 MaxOcc = Maximum occurrence of the segment/group  
 No = Consecutive segment number

### 3. SEGMENTS

Tag	St	MaxOcc	Name			
<b>UNA</b>	R	1	Service string advice			
			EDIFACT	vitesco		
Tag	Name	St	Format	St	Format	Usage / Remark
UNA1	Component data element separator	M	an1	M	an1	
UNA2	Data element separator	M	an1	M	an1	
UNA3	Decimal notation	M	an1	M	an1	
UNA4	Release indicator	M	an1	M	an1	
UNA5	Reserved for future use	M	an1	M	an1	
UNA6	Segment terminator	M	an1	M	an1	

**Remark:**

**Example:** UNA:+.? '

MaxOcc = Maximum occurrence of the segment/group; St = Status: M=Mandatory, C=Conditional, R=Required, O=Optional, D=Dependent, A=Advised, N=Not used

### 3. SEGMENTS

Tag	St	MaxOcc	Name			
<b>UNB</b>	M	1	Interchange header			
			EDIFACT	vitesco		
Tag	Name	St	Format	St	Format	Usage / Remark
S001	Syntax identifier	M		M		
0001	Syntax identifier	M	a4	M	a4	<b>UNOA UN/ECE level A</b> <b>UNOB UN/ECE level B</b> <b>UNOC UN/ECE level C</b>
0002	Syntax version number	M	n1	M	n1	<b>2 Version 2</b> <b>3 Version 3</b>
S002	Interchange sender	M		M		
0004	Sender identification	M	an..35	M	an..35	
0007	Partner identification code qualifier	C	an..4	C	an..4	
0008	Address for reverse routing	C	an..14	C	an..14	
S003	Interchange recipient	M		M		
0010	Recipient identification	M	an..35	M	an..35	
0007	Partner identification code qualifier	C	an..4	C	an..4	
0014	Routing address	C	an..14	C	an..14	
S004	Date/time of preparation	M		M		
0017	Date of preparation	M	n6	M	n6	
0019	Time of preparation	M	n4	M	n4	
0020	Interchange control reference	M	an..14	M	an..14	
S005	Recipient's reference, password	C		C		
0022	Recipient's reference/ password	M	an..14	M	an..14	
0025	Recipient's reference/ password qualifier		an2	N		Not used
0026	Application reference	C	an..14	C	an..14	
0029	Processing priority code	C	a1	C	a1	
0031	Acknowledgement request	C	n1	C	n1	
0032	Communications agreement ID	C	an..35	C	an..35	
0035	Test indicator	C	n1	C	n1	

**Remark:**

**Example:** UNB+UNOC:3+X:1:X+X:1:X+080617:1009+X+X+X+A+1+X+1'

MaxOcc = Maximum occurrence of the segment/group; St = Status: M=Mandatory, C=Conditional, R=Required, O=Optional, D=Dependent, A=Advised, N=Not used

### 3. SEGMENTS

Tag	St	MaxOcc	Name			
<b>UNH</b>	M	1	<b>Message header</b>			
			EDIFACT	vitesco		
Tag	Name	St	Format	St	Format	Usage / Remark
0062	Message reference number	M	an..14	M	an..14	Message reference number
S009	Message identifier	M		M		
0065	Message type	M	an..6	M	an..6	<b>DESADV Despatch advice message</b>
0052	Message version number	M	an..3	M	an..3	<b>D Draft version/UN/EDIFACT Directory</b>
0054	Message release number	M	an..3	M	an..3	<b>07A Release 2007 - A</b>
0051	Controlling agency	M	an..2	M	an..2	<b>UN UN/CEFACT</b>
0057	Association assigned code	C	an..6	O	an..6	According to national or regional specifications the automotive association of that region can assign additional codes.
0068	Common access reference		an..35	N		Not used
S010	Status of the transfer			N		
0070	Sequence of transfers		n..2	N		Not used
0073	First and last transfer		a1	N		Not used

**Remark:**

**Example:** UNH+ABC123+DESADV:D:07A:UN:GA0220'

### 3. SEGMENTS

Tag	St	MaxOcc	Name			
<b>BGM</b>	M	1	<b>Beginning of message</b>			
EDIFACT			vitesco			
Tag	Name	St	Format	St	Format	Usage / Remark
C002	Document/message name	C		R		
1001	Document name code	C	an..3	R	an..3	<b>351 Despatch advice</b>
1131	Code list identification code	C	an..17	D	an..17	
3055	Code list responsible agency code	C	an..3	D	an..3	<b>10 ODETTE</b> <b>289 JP,JIPDEC/ECPC (Japan Information Processing Development Center / Electronic Commerce Promotion Center)</b> <b>272 Joint Automotive Industry agency</b>
1000	Document name	C	an..35	O	an..35	
C106	Document/message identification	C		R		
1004	Document identifier	C	an..35	R	an..35	
1056	Version identifier	C	an..9	O	an..9	
1060	Revision identifier	C	an..6	O	an..6	
1225	Message function code	C	an..3	O	an..3	<b>1 Cancellation</b> <b>7 Duplicate</b> <b>9 Original</b> <b>4 Change</b> <b>5 Replace</b>
4343	Response type code	C	an..3	O	an..3	<b>AB Message acknowledgement</b> <b>NA No acknowledgement needed</b>

**Remark:**

The document identifier (DE 1004) is also referred to as despatch number. The reference to any other physical document going alongside with the goods is referred to as delivery note an can be a reference either on header level or on handling unit level or on article / line item level.

**Example:** BGM+351:::ABC123+ABC123:::1+1+AB'

### 3. SEGMENTS

Tag	St	MaxOcc	Name			
<b>DTM</b>	R	1	Despatch advice date			
			<b>EDIFACT</b>	<b>vitesco</b>		
Tag	Name	St	Format	St	Format	Usage / Remark
C507	Date/time/period	M		M		
2005	Date or time or period function code qualifier	M	an..3	M	an..3	<b>137 Document issue date time</b>
2380	Date or time or period text	C	an..12	R	an..12	
2379	Date or time or period format code	C	an..3	R	an..3	<b>102 CCYYMMDD</b> <b>203 CCYYMMDDHHMM</b>

**Remark:**

**Example:** DTM+137:20021201:102'

MaxOcc = Maximum occurrence of the segment/group; St = Status: M=Mandatory, C=Conditional, R=Required, O=Optional, D=Dependent, A=Advised, N=Not used

### 3. SEGMENTS

Tag	St	MaxOcc	Name	
<b>DTM</b>	R	1	Estimated arrival date	
EDIFACT		vitesco		
Tag	Name	St Format	St Format	Usage / Remark
C507	Date/time/period	M	M	
2005	Date or time or period function code qualifier	M an..3	M an..3	<b>132 Transport means arrival date time, estimated</b>
2380	Date or time or period text	C an..12	R an..12	
2379	Date or time or period format code	C an..3	R an..3	<b>102 CCYYMMDD</b> <b>203 CCYYMMDDHHMM</b> <b>304 CCYYMMDDHHMMSSZZ</b>

**Remark:**

**Example:** DTM+132:20021202:102'

MaxOcc = Maximum occurrence of the segment/group; St = Status: M=Mandatory, C=Conditional, R=Required, O=Optional, D=Dependent, A=Advised, N=Not used

### 3. SEGMENTS

Tag	St	MaxOcc	Name			
<b>MEA</b>	R	1	<b>Consignment's gross weight</b>			
EDIFACT			vitesco			
Tag	Name	St	Format	St	Format	Usage / Remark
6311	Measurement purpose code qualifier	M	an..3	M	an..3	<b>AAX Consignment measurement</b>
C502	Measurement details	C		R		
6313	Measured attribute code	C	an..3	R	an..3	<b>AAD Consignment gross weight</b>
6321	Measurement significance code		an..3	N		Not used
6155	Non-discrete measurement name code		an..17	N		Not used
6154	Non-discrete measurement name		an..70	N		Not used
C174	Value/range	C		R		
6411	Measurement unit code	M	an..8	M	an..8	The codes of this codelist are documented in a separate document
6314	Measure	C	n..12	R	n..12	
6162	Range minimum quantity		n..18	N		Not used
6152	Range maximum quantity		n..18	N		Not used
6432	Significant digits quantity		n..2	N		Not used
7383	Surface or layer code		an..3	N		Not used

**Remark:**

**Example:** MEA+AAX+AAD+KGM:1000'



### 3. SEGMENTS

Tag	St	MaxOcc	Name			
<b>MEA</b>	R	1	<b>Consignment's net weight</b>			
EDIFACT			vitesco			
Tag	Name	St	Format	St	Format	Usage / Remark
6311	Measurement purpose code qualifier	M	an..3	M	an..3	<b>AAX Consignment measurement</b>
C502	Measurement details	C		R		
6313	Measured attribute code	C	an..3	R	an..3	<b>AAL Net weight</b>
6321	Measurement significance code		an..3	N		Not used
6155	Non-discrete measurement name code		an..17	N		Not used
6154	Non-discrete measurement name		an..70	N		Not used
C174	Value/range	C		R		
6411	Measurement unit code	M	an..8	M	an..8	The codes of this codelist are documented in a separate document
6314	Measure	C	n..12	R	n..12	
6162	Range minimum quantity		n..18	N		Not used
6152	Range maximum quantity		n..18	N		Not used
6432	Significant digits quantity		n..2	N		Not used
7383	Surface or layer code		an..3	N		Not used

**Remark:**

**Example:** MEA+AAX+AAL+KGM:950'

MaxOcc = Maximum occurrence of the segment/group; St = Status: M=Mandatory, C=Conditional, R=Required, O=Optional, D=Dependent, A=Advised, N=Not used

### 3. SEGMENTS

Tag	St	MaxOcc	Name		
<b>SG1</b>	O	1	Transport document reference		
<b>RFF</b>	M	1	Transport document reference		
EDIFACT			vitesco		
Tag	Name	St Format	St	Format	Usage / Remark
C506	Reference	M	M		
1153	Reference code qualifier	M an..3	M	an..3	<b>AAS Transport contract document identifier</b>
1154	Reference identifier	C an..70	R	an..70	
1156	Document line identifier	C an..6	O	an..6	
1056	Version identifier	an..9	N		Not used
1060	Revision identifier	an..6	N		Not used

**Remark:**

**Example:** RFF+AAS:TD-2002-101:120'

MaxOcc = Maximum occurrence of the segment/group; St = Status: M=Mandatory, C=Conditional, R=Required, O=Optional, D=Dependent, A=Advised, N=Not used

### 3. SEGMENTS

Tag	St	MaxOcc	Name
<b>SG1</b>	O	1	Transport document reference
<b>DTM</b>	O	1	Reference date (transport document)
EDIFACT			vitesco
Tag	Name	St Format	St Format Usage / Remark
C507	Date/time/period	M	M
2005	Date or time or period function code qualifier	M an..3	M an..3 <b>171 Reference date/time</b>
2380	Date or time or period text	C n..12	R n..12
2379	Date or time or period format code	C an..3	O an..3 <b>102 CCYYMMDD</b> <b>203 CCYYMMDDHHMM</b>

**Remark:**

**Example:** DTM+171:20021123:102'

MaxOcc = Maximum occurrence of the segment/group; St = Status: M=Mandatory, C=Conditional, R=Required, O=Optional, D=Dependent, A=Advised, N=Not used

### 3. SEGMENTS

Tag	St	MaxOcc	Name			
<b>SG2</b>	R	1	Ship to			
<b>NAD</b>	M	1	Ship to's name and address			
			EDIFACT	vitesco		
Tag	Name	St	Format	St	Format	Usage / Remark
3035	Party function code qualifier	M	an..3	M	an..3	<b>ST Ship to</b>
C082	Party identification details	C		R		
3039	Party identifier	M	an..20	R	an..20	
1131	Code list identification code		an..17	N		Not used
3055	Code list responsible agency code	C	an..3	R	an..3	<b>92 Assigned by buyer or buyer's agent</b>
C058	Name and address	C		O		
3124	Name and address description	M	an..35	M	an..35	
3124	Name and address description	C	an..35	O	an..35	see 3124 # 1
3124	Name and address description	C	an..35	O	an..35	see 3124 # 1
3124	Name and address description	C	an..35	O	an..35	see 3124 # 1
3124	Name and address description	C	an..35	O	an..35	see 3124 # 1
C080	Party name	C		O		
3036	Party name	M	an..35	M	an..35	
3036	Party name	C	an..35	O	an..35	
3036	Party name		an..35	N		Not used
3036	Party name		an..35	N		Not used
3036	Party name		an..35	N		Not used
3045	Party name format code		an..3	N		Not used
C059	Street	C		O		
3042	Street and number or post office box identifier	M	an..35	M	an..35	
3042	Street and number or post office box identifier	C	an..35	O	an..35	
3042	Street and number or post office box identifier		an..35	N		Not used
3042	Street and number or post office box identifier		an..35	N		Not used
3164	City name	C	an..35	O	an..35	
C819	Country subdivision details	C		O		
3229	Country subdivision identifier	C	an..9	C	an..9	
1131	Code list identification code		an..17	N		Not used
3055	Code list responsible agency		an..3	N		Not used

MaxOcc = Maximum occurrence of the segment/group; St = Status: M=Mandatory, C=Conditional, R=Required, O=Optional, D=Dependent, A=Advised, N=Not used

EDIFACT			vitesco		
Tag	Name	St Format	St	Format	Usage / Remark
	code				
3228	Country subdivision name	an..70	N		Not used
3251	Postal identification code	C an..17	O	an..17	
3207	Country identifier	C a2	O	a2	The codes of this codelist are documented in a separate document

**Remark:**

In most cases it will be sufficient to use C082 for identification of invoicee. If not, either C058 (unstructured address) or C080 and following data elements should be used (structured address). The preferred version is the structured address.

**Example:** NAD+ST+33::92+ABC123:::ABC123+Name1:Name2+Street1:Street2++++DE'

### 3. SEGMENTS

Tag	St	MaxOcc	Name			
<b>SG2</b>	R	1	Ship to			
<b>LOC</b>	O	1	Place of discharge			
			EDIFACT	vitesco		
Tag	Name	St	Format	St	Format	Usage / Remark
3227	Location function code qualifier	M	an..3	M	an..3	<b>11 Place of discharge</b>
C517	Location identification	C		R		
3225	Location identifier	C	an..35	O	an..35	
1131	Code list identification code		an..17	N		Not used
3055	Code list responsible agency code	C	an..3	O	an..3	<b>92 Assigned by buyer or buyer's agent</b>
3224	Location name	C	an..256	O	an..256	
C519	Related location one identification			N		
3223	First related location identifier		an..35	N		Not used
1131	Code list identification code		an..17	N		Not used
3055	Code list responsible agency code		an..3	N		Not used
3222	First related location name		an..70	N		Not used
C553	Related location two identification			N		
3233	Second related location identifier		an..35	N		Not used
1131	Code list identification code		an..17	N		Not used
3055	Code list responsible agency code		an..3	N		Not used
3232	Second related location name		an..70	N		Not used
5479	Relation code		an..3	N		Not used

**Remark:**

**Example:** LOC+11+W0001::92:LocationName'

MaxOcc = Maximum occurrence of the segment/group; St = Status: M=Mandatory, C=Conditional, R=Required, O=Optional, D=Dependent, A=Advised, N=Not used

### 3. SEGMENTS

Tag	St	MaxOcc	Name			
<b>SG2</b>	R	1	<b>Buyer</b>			
<b>NAD</b>	M	1	<b>Buyer's name and address</b>			
			EDIFACT	vitesco		
Tag	Name	St	Format	St	Format	Usage / Remark
3035	Party function code qualifier	M	an..3	M	an..3	<b>BY Buyer</b>
C082	Party identification details	C		R		
3039	Party identifier	M	an..35	M	an..35	
1131	Code list identification code		an..17	N		Not used
3055	Code list responsible agency code	C	an..3	R	an..3	<b>92 Assigned by buyer or buyer's agent</b>
C058	Name and address	C		O		
3124	Name and address description	M	an..35	M	an..35	
3124	Name and address description	C	an..35	O	an..35	see 3124 # 1
3124	Name and address description	C	an..35	O	an..35	see 3124 # 1
3124	Name and address description	C	an..35	O	an..35	see 3124 # 1
3124	Name and address description	C	an..35	O	an..35	see 3124 # 1
C080	Party name	C		O		
3036	Party name	M	an..35	M	an..35	
3036	Party name	C	an..35	O	an..35	see 3036 # 1
3036	Party name		an..35	N		Not used
3036	Party name		an..35	N		Not used
3036	Party name		an..35	N		Not used
3045	Party name format code		an..3	N		Not used
C059	Street	C		O		
3042	Street and number or post office box identifier	M	an..35	M	an..35	
3042	Street and number or post office box identifier	C	an..35	O	an..35	
3042	Street and number or post office box identifier		an..35	N		Not used
3042	Street and number or post office box identifier		an..35	N		Not used
3164	City name	C	an..35	O	an..35	
C819	Country subdivision details	C		O		
3229	Country subdivision identifier	C	an..9	R	an..9	
1131	Code list identification code		an..17	N		Not used
3055	Code list responsible agency		an..3	N		Not used

MaxOcc = Maximum occurrence of the segment/group; St = Status: M=Mandatory, C=Conditional, R=Required, O=Optional, D=Dependent, A=Advised, N=Not used

EDIFACT			vitesco		
Tag	Name	St Format	St	Format	Usage / Remark
	code				
3228	Country subdivision name	an..70	N		Not used
3251	Postal identification code	C an..17	O	an..17	
3207	Country identifier	C an..3	O	an..3	

**Remark:**

In most cases it will be sufficient to use C082 for identification of invoicee. If not, either C058 (unstructured address) or C080 and following data elements should be used (structured address). The preferred version is the structured address.

**Example:** NAD+BY+BuyerID::92+ABC123:::ABC123+BuyerName1:BuyerName2+Street1:Street2+BuyerCity++12345+DE'



### 3. SEGMENTS

Tag	St	MaxOcc	Name			
<b>SG2</b>	R	1	<b>Seller / Supplier</b>			
<b>NAD</b>	M	1	<b>Seller's name and address</b>			
			EDIFACT	vitesco		
Tag	Name	St	Format	St	Format	Usage / Remark
3035	Party function code qualifier	M	an..3	M	an..3	<b>SU Supplier</b>
C082	Party identification details	C		R		
3039	Party identifier	M	an..35	M	an..35	
1131	Code list identification code		an..17	N		Not used
3055	Code list responsible agency code	C	an..3	R	an..3	<b>92 Assigned by buyer or buyer's agent</b>
C058	Name and address	C		O		
3124	Name and address description	M	an..35	M	an..35	
3124	Name and address description	C	an..35	O	an..35	see 3124 # 1
3124	Name and address description	C	an..35	O	an..35	see 3124 # 1
3124	Name and address description	C	an..35	O	an..35	see 3124 # 1
3124	Name and address description	C	an..35	O	an..35	see 3124 # 1
C080	Party name	C		O		
3036	Party name	M	an..35	M	an..35	
3036	Party name	C	an..35	O	an..35	see 3036 # 1
3036	Party name		an..35	N		Not used
3036	Party name		an..35	N		Not used
3036	Party name		an..35	N		Not used
3045	Party name format code		an..3	N		Not used
C059	Street	C		O		
3042	Street and number or post office box identifier	M	an..35	M	an..35	
3042	Street and number or post office box identifier	C	an..35	O	an..35	
3042	Street and number or post office box identifier		an..35	N		Not used
3042	Street and number or post office box identifier		an..35	N		Not used
3164	City name	C	an..35	O	an..35	
C819	Country subdivision details	C		O		
3229	Country subdivision identifier	C	an..9	R	an..9	
1131	Code list identification code		an..17	N		Not used
3055	Code list responsible agency		an..3	N		Not used

MaxOcc = Maximum occurrence of the segment/group; St = Status: M=Mandatory, C=Conditional, R=Required, O=Optional, D=Dependent, A=Advised, N=Not used

EDIFACT			vitesco		
Tag	Name	St Format	St	Format	Usage / Remark
	code				
3228	Country subdivision name	an..70	N		Not used
3251	Postal identification code	C an..17	O	an..17	
3207	Country identifier	C a2	O	a2	

**Remark:**

In most cases it will be sufficient to use C082 for identification of invoicee. If not, either C058 (unstructured address) or C080 and following data elements should be used (structured address). The preferred version is the structured address.

**Example:** NAD+SU+100-98654::92+123ABC::::ABC123+SupplierName1:SupplierName2+Street1:Street2+Supplier City++45678+DE'

### 3. SEGMENTS

Tag	St	MaxOcc	Name			
<b>SG6</b>	O	1	Means of transport			
<b>TDT</b>	M	1	Means of transport			
			EDIFACT	vitesco		
Tag	Name	St	Format	St	Format	Usage / Remark
8051	Transport stage code qualifier	M	an..3	M	an..3	<b>12 At departure</b> Identification of the point or port of departure, shipment or destination as required under the applicable incoterms.
8028	Means of transport journey identifier		an..17	N		Not used
C220	Mode of transport	C		R		
8067	Transport mode name code	C	an..3	R	an..3	<b>00 This code should be avoided since the digit "0" conventionally</b> <b>10 Maritime transport</b> <b>12 A railway wagon on a vessel at sea</b> <b>20 Rail transport</b> <b>23 Trailers or road vehicles being transported by rail</b> <b>30 Road transport</b> <b>40 Air transport</b> <b>50 Mail</b> <b>60 Multimodal transport</b> <b>70 Fixed transport installations</b> <b>80 Inland water transport</b>  Code specifying the name of a mode of transport. Use UN/ECE Recommendation No 19.
8066	Transport mode name		an..17	N		Not used
C001	Transport means			N		
8179	Transport means description code		an..8	N		Not used
1131	Code list identification code		an..17	N		Not used
3055	Code list responsible agency code		an..3	N		Not used
8178	Transport means description		an..17	N		Not used
C040	Carrier			N		
3127	Carrier identifier		an..17	N		Not used
1131	Code list identification code		an..17	N		Not used
3055	Code list responsible agency code		an..3	N		Not used

MaxOcc = Maximum occurrence of the segment/group; St = Status: M=Mandatory, C=Conditional, R=Required, O=Optional, D=Dependent, A=Advised, N=Not used

EDIFACT			vitesco		
Tag	Name	St Format	St	Format	Usage / Remark
3126	Carrier name	an..35	N		Not used
8101	Transit direction indicator code	an..3	N		Not used
C401	Excess transportation information		N		
8457	Excess transportation reason code	an..3	N		Not used
8459	Excess transportation responsibility code	an..3	N		Not used
7130	Customer shipment authorisation identifier	an..17	N		Not used
C222	Transport identification		N		
8213	Transport means identification name identifier	an..35	N		Not used
1131	Code list identification code	an..17	N		Not used
3055	Code list responsible agency code	an..3	N		Not used
8212	Transport means identification name	an..70	N		Not used
8453	Transport means nationality code	an..3	N		Not used
8281	Transport means ownership indicator code	an..3	N		Not used

**Remark:**

**Example:** TDT+12++30'

### 3. SEGMENTS

Tag	St	MaxOcc	Name
<b>SG8</b>	O	10	<b>Equipment</b>
<b>EQD</b>	M	1	<b>Equipment details</b>
EDIFACT			vitesco
Tag	Name	St Format	St Format Usage / Remark
8053	Equipment type code qualifier	M an..3	M an..3 <b>AE Body trailer</b> <b>CN Container</b> <b>RR Rail car</b> <b>SW Swap body</b> <b>TE Trailer</b>
C237	Equipment identification	C	C
8260	Equipment identifier	C an..17	O an..17
1131	Code list identification code	an..17	N Not used
3055	Code list responsible agency code	an..3	N Not used
3207	Country identifier	an..3	N Not used
C224	Equipment size and type		N
8155	Equipment size and type description code	an..10	N Not used
1131	Code list identification code	an..17	N Not used
3055	Code list responsible agency code	an..3	N Not used
8154	Equipment size and type description	an..35	N Not used
8077	Equipment supplier code	an..3	N Not used
8249	Equipment status code	an..3	N Not used
8169	Full or empty indicator code	an..3	N Not used
4233	Marking instructions code	an..3	N Not used

**Remark:**

**Example:** EQD+CN+12345 '

MaxOcc = Maximum occurrence of the segment/group; St = Status: M=Mandatory, C=Conditional, R=Required, O=Optional, D=Dependent, A=Advised, N=Not used

### 3. SEGMENTS

Tag	St	MaxOcc	Name
<b>SG10</b>	R	9999	<b>Despatch control line / group of inner packaging items and article line</b>
<b>CPS</b>	M	1	<b>Consignment packing sequence</b>
EDIFACT		vitesco	
Tag	Name	St Format	St Format Usage / Remark
7164	Hierarchical structure level identifier	M n..6	R n..6 Line Number
7166	Hierarchical structure parent identifier	C an..35	O an..35
7075	Packaging level code	C an..3	R an..3 <b>1 Inner</b>

**Remark:**

The hierarchical structure of the message has to be created by a proper combination of values in DE 7164 (line number) and 7166 (parent line number). There is no default article driven or package driven logic. Therefore, the message can be used for every variant of the business process.

Business partners using this message should specify mutually the implementation profile in order to simplify the usage. The values of this Line Number shall not duplicate other occurrences of the CPS.

**Example:** CPS+10+1+1'

### 3. SEGMENTS

Tag	St	MaxOcc	Name			
<b>SG11</b>	O	9999	<b>Group of inner packaging items</b>			
The number of SG 11 in a group of inner packaging items shall not exceed 9999.						
<b>PAC</b>	M	1	<b>Package</b>			
			EDIFACT	vitesco		
Tag	Name	St	Format	St	Format	Usage / Remark
7224	Package quantity	C	n..6	O	n..6	
C531	Packaging details	C		C		
7075	Packaging level code	C	an..3	C	an..3	
7233	Packaging related description code	C	an..3	R	an..3	<b>35 Type of package</b>
7073	Packaging terms and conditions code	C	an..3	O	an..3	<b>1 Packaging cost paid by supplier</b> <b>2 Packaging cost paid by recipient</b> <b>11 Multiple usage buyer's durable</b> <b>12 Multiple usage seller's durable</b> Codes 1 and 2 indicate non-returnable packaging.
C202	Package type	C		R		
7065	Package type description code	C	an..17	R	an..17	Codes defining packagings based on designations by organisations or parties specified in DE 3055.
1131	Code list identification code	C	an..17	C	an..17	
3055	Code list responsible agency code	C	an..3	O	an..3	Code List Responsible Agency <b>92 Assigned by buyer or buyer's agent</b>
7064	Type of packages		an..35	N		Not used
C402	Package type identification			N		
7077	Description format code		an..3	N		Not used
7064	Type of packages		an..35	N		Not used
7143	Item type identification code		an..3	N		Not used
7064	Type of packages		an..35	N		Not used
7143	Item type identification code		an..3	N		Not used
C532	Returnable package details			N		
8395	Returnable package freight payment responsibility code		an..3	N		Not used
8393	Returnable package load contents code		an..3	N		Not used

**Remark:**

The number of packages corresponds to the total number of packages of the same type (given in data element 7065). They may be in one or more handling units.

**Example:** PAC+5+:35:11+BE::92'

MaxOcc = Maximum occurrence of the segment/group; St = Status: M=Mandatory, C=Conditional, R=Required, O=Optional, D=Dependent, A=Advised, N=Not used

### 3. SEGMENTS

Tag	St	MaxOcc	Name
<b>SG11</b>	O	9999	<b>Group of inner packaging items</b> The number of SG 11 in a group of inner packaging items shall not exceed 9999.
<b>MEA</b>	O	1	<b>Gross weight</b>
EDIFACT			vitesco
Tag	Name	St Format	St Format Usage / Remark
6311	Measurement purpose code qualifier	M an..3	M an..3 <b>AAY Package measurement</b>
C502	Measurement details	C	R
6313	Measured attribute code	C an..3	R an..3 <b>G Gross weight</b>
6321	Measurement significance code	an..3	N Not used
6155	Non-discrete measurement name code	an..17	N Not used
6154	Non-discrete measurement name	an..70	N Not used
C174	Value/range	C	R
6411	Measurement unit code	M an..8	M an..8
6314	Measure	C an..18	R an..18
6162	Range minimum quantity	n..18	N Not used
6152	Range maximum quantity	n..18	N Not used
6432	Significant digits quantity	n..2	N Not used
7383	Surface or layer code	an..3	N Not used

**Remark:**

**Example:** MEA+AAY+G+KGM:1000'

MaxOcc = Maximum occurrence of the segment/group; St = Status: M=Mandatory, C=Conditional, R=Required, O=Optional, D=Dependent, A=Advised, N=Not used



### 3. SEGMENTS

Tag	St	MaxOcc	Name
<b>SG11</b>	O	9999	<b>Group of inner packaging items</b>  The number of SG 11 in a group of inner packaging items shall not exceed 9999.
<b>MEA</b>	O	1	<b>Net weight</b>
EDIFACT			vitesco
Tag	Name	St Format	St Format Usage / Remark
6311	Measurement purpose code qualifier	M an..3	M an..3 <b>AAY Package measurement</b>
C502	Measurement details	C	R
6313	Measured attribute code	C an..3	O an..3 <b>AAL Net weight</b>
6321	Measurement significance code	an..3	N Not used
6155	Non-discrete measurement name code	an..17	N Not used
6154	Non-discrete measurement name	an..70	N Not used
C174	Value/range	C	R
6411	Measurement unit code	M an..8	M an..8
6314	Measure	C an..18	R an..18
6162	Range minimum quantity	n..18	N Not used
6152	Range maximum quantity	n..18	N Not used
6432	Significant digits quantity	n..2	N Not used
7383	Surface or layer code	an..3	N Not used

**Remark:**

**Example:** MEA+AAY+AAL+KGM:990'

MaxOcc = Maximum occurrence of the segment/group; St = Status: M=Mandatory, C=Conditional, R=Required, O=Optional, D=Dependent, A=Advised, N=Not used

### 3. SEGMENTS

Tag	St	MaxOcc	Name			
<b>SG11</b>	O	9999	<b>Group of inner packaging items</b>			
			The number of SG 11 in a group of inner packaging items shall not exceed 9999.			
<b>MEA</b>	O	1	<b>Length</b>			
EDIFACT			vitesco			
Tag	Name	St	Format	St	Format	Usage / Remark
6311	Measurement purpose code qualifier	M	an..3	M	an..3	<b>AAY Package measurement</b>
C502	Measurement details	C		R		
6313	Measured attribute code	C	an..3	O	an..3	<b>LN Length</b>
6321	Measurement significance code		an..3	N		Not used
6155	Non-discrete measurement name code		an..17	N		Not used
6154	Non-discrete measurement name		an..70	N		Not used
C174	Value/range	C		R		
6411	Measurement unit code	M	an..8	M	an..8	
6314	Measure	C	n..5	R	n..5	
6162	Range minimum quantity		n..18	N		Not used
6152	Range maximum quantity		n..18	N		Not used
6432	Significant digits quantity		n..2	N		Not used
7383	Surface or layer code		an..3	N		Not used

**Remark:**

**Example:** MEA+AAY+LN+CMT:100'

MaxOcc = Maximum occurrence of the segment/group; St = Status: M=Mandatory, C=Conditional, R=Required, O=Optional, D=Dependent, A=Advised, N=Not used

### 3. SEGMENTS

Tag	St	MaxOcc	Name
<b>SG11</b>	O	9999	<b>Group of inner packaging items</b>  The number of SG 11 in a group of inner packaging items shall not exceed 9999.
<b>MEA</b>	O	1	<b>Width</b>
EDIFACT			vitesco
Tag	Name	St Format	St Format Usage / Remark
6311	Measurement purpose code qualifier	M an..3	M an..3 <b>AAY Package measurement</b>
C502	Measurement details	C	R
6313	Measured attribute code	C an..3	R an..3 <b>WD Width dimension</b>
6321	Measurement significance code	an..3	N Not used
6155	Non-discrete measurement name code	an..17	N Not used
6154	Non-discrete measurement name	an..70	N Not used
C174	Value/range	C	R
6411	Measurement unit code	M an..8	M an..8
6314	Measure	C an..18	R an..18
6162	Range minimum quantity	n..18	N Not used
6152	Range maximum quantity	n..18	N Not used
6432	Significant digits quantity	n..2	N Not used
7383	Surface or layer code	an..3	N Not used

**Remark:**

**Example:** MEA+AAY+WD+CMT:100'

MaxOcc = Maximum occurrence of the segment/group; St = Status: M=Mandatory, C=Conditional, R=Required, O=Optional, D=Dependent, A=Advised, N=Not used

### 3. SEGMENTS

Tag	St	MaxOcc	Name
<b>SG11</b>	O	9999	<b>Group of inner packaging items</b>  The number of SG 11 in a group of inner packaging items shall not exceed 9999.
<b>MEA</b>	O	1	<b>Height</b>
EDIFACT		vitesco	
Tag	Name	St Format	St Format Usage / Remark
6311	Measurement purpose code qualifier	M an..3	M an..3 <b>AAY Package measurement</b>
C502	Measurement details	C	R
6313	Measured attribute code	C an..3	R an..3 <b>HT Height dimension</b>
6321	Measurement significance code	an..3	N Not used
6155	Non-discrete measurement name code	an..17	N Not used
6154	Non-discrete measurement name	an..70	N Not used
C174	Value/range	C	R
6411	Measurement unit code	M an..8	M an..8
6314	Measure	C an..18	R an..18
6162	Range minimum quantity	n..18	N Not used
6152	Range maximum quantity	n..18	N Not used
6432	Significant digits quantity	n..2	N Not used
7383	Surface or layer code	an..3	N Not used

**Remark:**

**Example:** MEA+AAY+HT+CMT:100'

MaxOcc = Maximum occurrence of the segment/group; St = Status: M=Mandatory, C=Conditional, R=Required, O=Optional, D=Dependent, A=Advised, N=Not used

### 3. SEGMENTS

Tag	St	MaxOcc	Name			
<b>SG11</b>	O	9999	<b>Group of inner packaging items</b>			
			The number of SG 11 in a group of inner packaging items shall not exceed 9999.			
<b>QTY</b>	R	1	<b>Actual quantity per package</b>			
EDIFACT			vitesco			
Tag	Name	St	Format	St	Format	Usage / Remark
C186	Quantity details	M		M		
6063	Quantity type code qualifier	M	an..3	M	an..3	<b>52 Quantity per pack</b>
6060	Quantity	M	an..35	M	an..35	
6411	Measurement unit code	C	an..8	O	an..8	

**Remark:**

**Example:** QTY+52:10:C62'

MaxOcc = Maximum occurrence of the segment/group; St = Status: M=Mandatory, C=Conditional, R=Required, O=Optional, D=Dependent, A=Advised, N=Not used

### 3. SEGMENTS

Tag	St	MaxOcc	Name			
<b>SG13</b>	O	1	<b>Individual packaging item</b>			
<b>PCI</b>	M	1	<b>Package identification</b>			
			EDIFACT	vitesco		
Tag	Name	St	Format	St	Format	Usage / Remark
4233	Marking instructions code	C	an..3	R	an..3	<b>17 Seller's instructions</b>
C210	Marks & labels	C		R		
7102	Shipping marks description	M	an..35	M	an..35	
7102	Shipping marks description		an..35	N		Not used
7102	Shipping marks description		an..35	N		Not used
7102	Shipping marks description		an..35	N		Not used
7102	Shipping marks description		an..35	N		Not used
7102	Shipping marks description		an..35	N		Not used
7102	Shipping marks description		an..35	N		Not used
7102	Shipping marks description		an..35	N		Not used
7102	Shipping marks description		an..35	N		Not used
7102	Shipping marks description		an..35	N		Not used
8169	Full or empty indicator code		an..3	N		Not used
C827	Type of marking	C		O		
7511	Label identifier coded	M	an..3	M	an..3	Handling Unit Category
1131	Code list identification code		an..17	N		Not used
3055	Code list responsible agency code	C	an..3	R	an..3	<b>92 Assigned by buyer or buyer's agent</b>

**Remark:**

The data element 4233 should contain the constant value "17" (=Seller's instruction) to avoid the transmission of an empty segment when the Label identifier is not transmitted.

**Example:** PCI+17+455485++1J::92'

MaxOcc = Maximum occurrence of the segment/group; St = Status: M=Mandatory, C=Conditional, R=Required, O=Optional, D=Dependent, A=Advised, N=Not used

### 3. SEGMENTS

Tag	St	MaxOcc	Name	
<b>SG13</b>	O	1	Individual packaging item	
<b>RFF</b>	D	1	Reference to outer package	
EDIFACT		vitesco		
Tag	Name	St Format	St Format Usage / Remark	
C506	Reference	M	M	
1153	Reference code qualifier	M an..3	M an..3	<b>ACI Outerpackaging unit identification</b>
1154	Reference identifier	C an..70	R an..70	
1156	Document line identifier	an..6	N	Not used
1056	Version identifier	an..9	N	Not used
1060	Revision identifier	an..6	N	Not used

**Remark:**

Mandatory if M-Label exists

**Example:** RFF+ACI : #443 '

MaxOcc = Maximum occurrence of the segment/group; St = Status: M=Mandatory, C=Conditional, R=Required, O=Optional, D=Dependent, A=Advised, N=Not used

### 3. SEGMENTS

Tag	St	MaxOcc	Name			
<b>SG14</b>	O	1	<b>Production batch</b>			
<b>GIR</b>	M	1	<b>Trigger segment</b>			
			EDIFACT	vitesco		
Tag	Name	St	Format	St	Format	Usage / Remark
7297	Set type code qualifier	M	an..3	M	an..3	<b>1 Product</b>
C206	Identification number	M		M		
7402	Object identifier	M	an..35	M	an..35	
7405	Object identification code qualifier	C	an..3	O	an..3	<b>BX Batch number</b>
4405	Status description code		an..3	N		Not used
C206	Identification number			N		
7402	Object identifier		an..35	N		Not used
7405	Object identification code qualifier		an..3	N		Not used
4405	Status description code		an..3	N		Not used
C206	Identification number			N		
7402	Object identifier		an..35	N		Not used
7405	Object identification code qualifier		an..3	N		Not used
4405	Status description code		an..3	N		Not used
C206	Identification number			N		
7402	Object identifier		an..35	N		Not used
7405	Object identification code qualifier		an..3	N		Not used
4405	Status description code		an..3	N		Not used
C206	Identification number			N		
7402	Object identifier		an..35	N		Not used
7405	Object identification code qualifier		an..3	N		Not used
4405	Status description code		an..3	N		Not used

**Remark:**

It should be noted that production batch related information can only be attached to a single individual packaging item because the packages of a range may be from different production batches.

**Example:** GIR+1+Charge:BX'

MaxOcc = Maximum occurrence of the segment/group; St = Status: M=Mandatory, C=Conditional, R=Required, O=Optional, D=Dependent, A=Advised, N=Not used



### 3. SEGMENTS

Tag	St	MaxOcc	Name
<b>SG15</b>	R	99	<b>Label number(s)</b>  the total number of SG15 in a SG 13 shall not exceed 99 times. Mandatory if packaging-information is enclosed
<b>GIN</b>	M	1	<b>Label serial number(s)</b>
		EDIFACT	vitesco
Tag	Name	St Format	St Format Usage / Remark
7405	Object identification code qualifier	M an..3	M an..3 <b>ML Marking/label number</b> Identity Number Type
C208	Identity number range	M	M
7402	Object identifier	M an..35	R an..35
7402	Object identifier	an..35	N Not used
C208	Identity number range	C	O
7402	Object identifier	M an..35	M an..35
7402	Object identifier	an..35	N Not used
C208	Identity number range	C	O
7402	Object identifier	M an..35	M an..35
7402	Object identifier	an..35	N Not used
C208	Identity number range	C	O
7402	Object identifier	M an..35	M an..35
7402	Object identifier	an..35	N Not used
C208	Identity number range	C	O
7402	Object identifier	M an..35	M an..35
7402	Object identifier	an..35	N Not used

**Remark:**

**Example:** GIN+ML+#01+#03+#05+#07+#09'

MaxOcc = Maximum occurrence of the segment/group; St = Status: M=Mandatory, C=Conditional, R=Required, O=Optional, D=Dependent, A=Advised, N=Not used

### 3. SEGMENTS

Tag	St	MaxOcc	Name	
<b>SG17</b>	R	9999	<b>Article and Despatched Article</b>  some location can only handle one position per ASN	
<b>LIN</b>	M	1	<b>Line item</b>	
		EDIFACT	vitesco	
Tag	Name	St Format	St Format Usage / Remark	
1082	Line item identifier	C an..6	R an..6	
1229	Action code	an..3	N	Not used
C212	Item number identification	C	R	
7140	Item identifier	C an..35	R an..35	
7143	Item type identification code	C an..3	R an..3	<b>IN Buyer's item number</b>
1131	Code list identification code	an..17	N	Not used
3055	Code list responsible agency code	an..3	N	Not used
C829	Sub-line information		N	
5495	Sub-line indicator code	an..3	N	Not used
1082	Line item identifier	an..6	N	Not used
1222	Configuration level number	n..2	N	Not used
7083	Configuration operation code	an..3	N	Not used

**Remark:**

In case of single-article packages, the Configuration Level (data element 1222) is set to zero. In this case, there is only one LIN segment per Article Line (for the unique Despatched Article).

In case of multi-article packages, a specific occurrence of the LIN segment group identified by value 1 in data element 1222 is used to transmit the information related to the set of articles. Because a set of articles is not identified by a part number, data elements 7140 & 7143 are not used in those occurrences of LIN. Each despatched article of a set is described by its own LIN segment group occurrence, identified by value 2 in data element 1222.

A single article Article Line may be transmitted using the multi-article packages logic: - 1 occurrence of LIN with data element 1222 set to value 1; - 1 occurrence of LIN with data element 1222 set to value 2.

In order to avoid a too complicated structure of the despatch message it is strongly recommended to assign an individual article number to the set (e.g. left and right headlamps) and use the single article logic.

**Example:** LIN+1+++ABC123:IN'

### 3. SEGMENTS

Tag	St	MaxOcc	Name			
<b>SG17</b>	R	9999	<b>Article and Despatched Article</b>			
			some location can only handle one position per ASN			
<b>PIA</b>	R	1	<b>Additional product id</b>			
			EDIFACT	vitesco		
Tag	Name	St	Format	St	Format	Usage / Remark
4347	Product identifier code qualifier	M	an..3	M	an..3	<b>1 Additional identification</b>
C212	Supplier's article number	M		M		
7140	Item identifier	C	an..35	R	an..35	
7143	Item type identification code	C	an..3	R	an..3	<b>SA Supplier's article number</b>
1131	Code list identification code		an..17	N		Not used
3055	Code list responsible agency code		an..3	N		Not used
C212	Item number identification	C		O		
7140	Engineering change level	C	an..35	R	an..35	
7143	Item type identification code	C	an..3	C	an..3	<b>EC Engineering change level</b>
1131	Code list identification code		an..17	N		Not used
3055	Code list responsible agency code		an..3	N		Not used
C212	Item number identification	C		C		
7140	Item identifier	C	an..35	C	an..35	
7143	Item type identification code	C	an..3	C	an..3	
1131	Code list identification code		an..17	N		Not used
3055	Code list responsible agency code		an..3	N		Not used
C212	Item number identification			N		
7140	Item identifier		an..35	N		Not used
7143	Item type identification code		an..3	N		Not used
1131	Code list identification code		an..17	N		Not used
3055	Code list responsible agency code		an..3	N		Not used
C212	Item number identification			N		
7140	Item identifier		an..35	N		Not used
7143	Item type identification code		an..3	N		Not used
1131	Code list identification code		an..17	N		Not used
3055	Code list responsible agency code		an..3	N		Not used

MaxOcc = Maximum occurrence of the segment/group; St = Status: M=Mandatory, C=Conditional, R=Required, O=Optional, D=Dependent, A=Advised, N=Not used

**Remark:**

The sequence of C212 in PIA segments qualified with '1' is free. The first occurrence of C212 has to be filled.

**Example:** `PIA+1+76543:SA+EngineeringChangeLevel:EC+X:AA'`

### 3. SEGMENTS

Tag	St	MaxOcc	Name
<b>SG17</b>	R	9999	<b>Article and Despatched Article</b> some location can only handle one position per ASN
<b>MEA</b>	O	1	<b>Net weight</b>
EDIFACT		vitesco	
Tag	Name	St Format	Usage / Remark
6311	Measurement purpose code qualifier	M an..3	<b>PD Physical dimensions (product ordered)</b>
C502	Measurement details	C	R
6313	Measured attribute code	C an..3	O an..3 Constant Identifying A Net Weight Dimension <b>AAL Net weight</b>
6321	Measurement significance code	an..3	N Not used
6155	Non-discrete measurement name code	an..17	N Not used
6154	Non-discrete measurement name	an..70	N Not used
C174	Value/range	C	R
6411	Measurement unit code	M an..3	R an..3 Article Weight Measure Unit Specifier
6314	Measure	C n..11	R n..11 Net Weight
6162	Range minimum quantity	n..18	N Not used
6152	Range maximum quantity	n..18	N Not used
6432	Significant digits quantity	n..2	N Not used
7383	Surface or layer code	an..3	N Not used

**Remark:**

**Example:** MEA+PD+AAL+KGM:10'

MaxOcc = Maximum occurrence of the segment/group; St = Status: M=Mandatory, C=Conditional, R=Required, O=Optional, D=Dependent, A=Advised, N=Not used

### 3. SEGMENTS

Tag	St	MaxOcc	Name
<b>SG17</b>	R	9999	<b>Article and Despatched Article</b> some location can only handle one position per ASN
<b>QTY</b>	R	1	<b>Despatched quantity</b>
EDIFACT		vitesco	
Tag	Name	St Format	St Format Usage / Remark
C186	Quantity details	M	M
6063	Quantity type code qualifier	M an..3	M an..3 <b>12 Despatch quantity</b>
6060	Quantity	M n..10	M n..10 Quantity actually despatched
6411	Measurement unit code	C an..3	R an..3 Quantity (to be) Despatched Measure Unit Specifier

**Remark:**

**Example:** QTY+12:50:C62'

MaxOcc = Maximum occurrence of the segment/group; St = Status: M=Mandatory, C=Conditional, R=Required, O=Optional, D=Dependent, A=Advised, N=Not used

### 3. SEGMENTS

Tag	St	MaxOcc	Name
<b>SG17</b>	R	9999	<b>Article and Despatched Article</b> some location can only handle one position per ASN
<b>ALI</b>	O	1	<b>Country of origin</b>
		EDIFACT	vitesco
Tag	Name	St Format	St Format Usage / Remark
3239	Country of origin identifier	C a2	O a2 a Country Of Origin Coded
9213	Duty regime type code	an..3	N Not used
4183	Special condition code	an..3	N Not used
4183	Special condition code	an..3	N Not used
4183	Special condition code	an..3	N Not used
4183	Special condition code	an..3	N Not used
4183	Special condition code	an..3	N Not used

**Remark:**

**Example:** ALI+SE'

MaxOcc = Maximum occurrence of the segment/group; St = Status: M=Mandatory, C=Conditional, R=Required, O=Optional, D=Dependent, A=Advised, N=Not used

### 3. SEGMENTS

Tag	St	MaxOcc	Name
<b>SG18</b>	O	1	<b>Delivery instruction / schedule reference</b>  This segment group contains a reference to the delivery instruction.
<b>RFF</b>	M	1	<b>Delivery instruction / schedule reference</b>
EDIFACT			vitesco
Tag	Name	St Format	St Format Usage / Remark
C506	Reference	M	M
1153	Reference code qualifier	M an..3	M an..3
1154	Reference identifier	C an..70	D an..70
1156	Document line identifier	C an..6	O an..6
1056	Version identifier	an..9	N
1060	Revision identifier	an..6	N

**Remark:**

Delivery instruction and delivery schedule are used as synonyms.

**Example:** RFF+AAN:12345:050'

MaxOcc = Maximum occurrence of the segment/group; St = Status: M=Mandatory, C=Conditional, R=Required, O=Optional, D=Dependent, A=Advised, N=Not used



### 3. SEGMENTS

Tag	St	MaxOcc	Name
<b>SG18</b>	O	1	<b>Delivery instruction / schedule reference</b> This segment group contains a reference to the delivery instruction.
<b>DTM</b>	O	1	<b>Reference date</b>
EDIFACT			vitesco
Tag	Name	St Format	St Format Usage / Remark
C507	Date/time/period	M	M
2005	Date or time or period function code qualifier	M an..3	M an..3 <b>171 Reference date/time</b>
2380	Date or time or period text	C n..12	R n..12
2379	Date or time or period format code	C an..3	O an..3 <b>102 CCYYMMDD</b> <b>203 CCYYMMDDHHMM</b>

**Remark:**

Only used with the delivery note reference

**Example:** DTM+171:20021101:102'

MaxOcc = Maximum occurrence of the segment/group; St = Status: M=Mandatory, C=Conditional, R=Required, O=Optional, D=Dependent, A=Advised, N=Not used

### 3. SEGMENTS

Tag	St	MaxOcc	Name
<b>SG18</b>	R	1	Order reference
<b>RFF</b>	M	1	Order reference

EDIFACT			vitesco		
Tag	Name	St Format	St	Format	Usage / Remark
C506	Reference	M	M		
1153	Reference code qualifier	M an..3	M	an..3	<b>ON Order document identifier, buyer assigned</b>
1154	Reference identifier	C an..70	R	an..70	
1156	Document line identifier	C an..6	O	an..6	
1056	Version identifier	an..9	N		Not used
1060	Revision identifier	an..6	N		Not used

**Remark:**

**Example:** RFF+ON:ABC123:1'

MaxOcc = Maximum occurrence of the segment/group; St = Status: M=Mandatory, C=Conditional, R=Required, O=Optional, D=Dependent, A=Advised, N=Not used

### 3. SEGMENTS

Tag	St	MaxOcc	Name
<b>SG10</b>	O	9999	<b>List of handling unit groups</b>  The maximum number of SG 10 in a message shall not exceed 9999.
<b>CPS</b>	M	1	<b>Consignment packing sequence</b>
EDIFACT		vitesco	
Tag	Name	St Format	St Format Usage / Remark
7164	Hierarchical structure level identifier	M n..6	R n..6 Line Item Number
7166	Hierarchical structure parent identifier	C an..35	O an..35
7075	Packaging level code	C an..3	R an..3 <b>3 Outer</b>

**Remark:**

Mapping comments

The hierarchical structure of the message has to be created by a proper combination of values in DE 7164 (line number) and 7166 (parent line number). There is no default article driven or package driven logic. Therefore, the message can be used for every variant of the business process.

Business partners using this message should specify mutually the implementation profile in order to simplify the usage.

The values of this Line Number shall not duplicate other occurrences of the CPS.

**Example:** CPS+30++3'

MaxOcc = Maximum occurrence of the segment/group; St = Status: M=Mandatory, C=Conditional, R=Required, O=Optional, D=Dependent, A=Advised, N=Not used

### 3. SEGMENTS

Tag	St	MaxOcc	Name			
<b>SG11</b>	R	1	<b>Handling unit group details</b>			
<b>PAC</b>	M	1	<b>Package</b>			
EDIFACT			vitesco			
Tag	Name	St	Format	St	Format	Usage / Remark
7224	Package quantity	C	n..6	R	n..6	Number Of Identical Handling Units
C531	Packaging details	C		R		
7075	Packaging level code		an..3	N		Not used
7233	Packaging related description code	C	an..3	R	an..3	<b>35 Type of package</b>
7073	Packaging terms and conditions code		an..3	N		Not used
C202	Package type	C		O		
7065	Package type description code	C	an..17	R	an..17	
1131	Code list identification code	C	an..17	C	an..17	
3055	Code list responsible agency code	C	an..3	O	an..3	b.Code List Responsible Agency <b>92 Assigned by buyer or buyer's agent</b>
7064	Type of packages		an..35	N		Not used
C402	Package type identification			N		
7077	Description format code		an..3	N		Not used
7064	Type of packages		an..35	N		Not used
7143	Item type identification code		an..3	N		Not used
7064	Type of packages		an..35	N		Not used
7143	Item type identification code		an..3	N		Not used
C532	Returnable package details			N		
8395	Returnable package freight payment responsibility code		an..3	N		Not used
8393	Returnable package load contents code		an..3	N		Not used

**Remark:**

**Example:** PAC+1+:35+1W::92'

MaxOcc = Maximum occurrence of the segment/group; St = Status: M=Mandatory, C=Conditional, R=Required, O=Optional, D=Dependent, A=Advised, N=Not used

### 3. SEGMENTS

Tag	St	MaxOcc	Name
<b>SG11</b>	R	1	Handling unit group details
<b>MEA</b>	O	1	Length
EDIFACT			vitesco
Tag	Name	St Format	St Format Usage / Remark
6311	Measurement purpose code qualifier	M an..3	M an..3 <b>AAZ Handling unit measurement</b>
C502	Measurement details	C	C
6313	Measured attribute code	C an..3	C an..3 <b>LN Length</b>
6321	Measurement significance code	an..3	N Not used
6155	Non-discrete measurement name code	an..17	N Not used
6154	Non-discrete measurement name	an..70	N Not used
C174	Value/range	C	R
6411	Measurement unit code	M an..8	M an..8
6314	Measure	C n..5	R n..5 Length
6162	Range minimum quantity	n..18	N Not used
6152	Range maximum quantity	n..18	N Not used
6432	Significant digits quantity	n..2	N Not used
7383	Surface or layer code	an..3	N Not used

**Remark:**

**Example:** MEA+AAZ+LN+MTR:1.2'

MaxOcc = Maximum occurrence of the segment/group; St = Status: M=Mandatory, C=Conditional, R=Required, O=Optional, D=Dependent, A=Advised, N=Not used

### 3. SEGMENTS

Tag	St	MaxOcc	Name			
<b>SG11</b>	R	1	<b>Handling unit group details</b>			
<b>MEA</b>	O	1	<b>Width</b>			
			EDIFACT	vitesco		
Tag	Name	St	Format	St	Format	Usage / Remark
6311	Measurement purpose code qualifier	M	an..3	M	an..3	<b>AAZ Handling unit measurement</b>
C502	Measurement details	C		R		
6313	Measured attribute code	C	an..3	R	an..3	Constant Identifying A Width Dimension <b>WD Width dimension</b>
6321	Measurement significance code		an..3	N		Not used
6155	Non-discrete measurement name code		an..17	N		Not used
6154	Non-discrete measurement name		an..70	N		Not used
C174	Value/range	C		R		
6411	Measurement unit code	M	an..8	M	an..8	
6314	Measure	C	n..12	R	n..12	Width
6162	Range minimum quantity		n..18	N		Not used
6152	Range maximum quantity		n..18	N		Not used
6432	Significant digits quantity		n..2	N		Not used
7383	Surface or layer code		an..3	N		Not used

**Remark:**

**Example:** MEA+AAZ+WD+MTR:1.0'

MaxOcc = Maximum occurrence of the segment/group; St = Status: M=Mandatory, C=Conditional, R=Required, O=Optional, D=Dependent, A=Advised, N=Not used

### 3. SEGMENTS

Tag	St	MaxOcc	Name
<b>SG11</b>	R	1	Handling unit group details
<b>MEA</b>	O	1	Height
EDIFACT			vitesco
Tag	Name	St Format	St Format Usage / Remark
6311	Measurement purpose code qualifier	M an..3	M an..3 <b>AAZ Handling unit measurement</b>
C502	Measurement details	C	R
6313	Measured attribute code	C an..3	R an..3 <b>HT Height dimension</b>
6321	Measurement significance code	an..3	N Not used
6155	Non-discrete measurement name code	an..17	N Not used
6154	Non-discrete measurement name	an..70	N Not used
C174	Value/range	C	R
6411	Measurement unit code	M an..3	R an..3
6314	Measure	C n..5	R n..5
6162	Range minimum quantity	n..18	N Not used
6152	Range maximum quantity	n..18	N Not used
6432	Significant digits quantity	n..2	N Not used
7383	Surface or layer code	an..3	N Not used

**Remark:**

**Example:** MEA+AAZ+HT+MTR:1.2'

MaxOcc = Maximum occurrence of the segment/group; St = Status: M=Mandatory, C=Conditional, R=Required, O=Optional, D=Dependent, A=Advised, N=Not used

### 3. SEGMENTS

Tag	St	MaxOcc	Name			
<b>SG13</b>	R	1	List of individual handling units			
<b>PCI</b>	M	1	Handling unit label type			
			EDIFACT	vitesco		
Tag	Name	St	Format	St	Format	Usage / Remark
4233	Marking instructions code	C	an..3	O	an..3	<b>17 Seller's instructions</b>
C210	Marks & labels	C		C		
7102	Shipping marks description	M	an..35	M	an..35	
7102	Shipping marks description		an..35	N		Not used
7102	Shipping marks description		an..35	N		Not used
7102	Shipping marks description		an..35	N		Not used
7102	Shipping marks description		an..35	N		Not used
7102	Shipping marks description		an..35	N		Not used
7102	Shipping marks description		an..35	N		Not used
7102	Shipping marks description		an..35	N		Not used
7102	Shipping marks description		an..35	N		Not used
7102	Shipping marks description		an..35	N		Not used
8169	Full or empty indicator code	C	an..3	C	an..3	
C827	Type of marking	C		O		
7511	Label identifier coded	M	an..3	R	an..3	Handling Unit Category
1131	Code list identification code		an..17	N		Not used
3055	Code list responsible agency code	C	an..3	R	an..3	<b>92 Assigned by buyer or buyer's agent</b>

**Remark:**

**Example:** PCI+17+++6J::92'

MaxOcc = Maximum occurrence of the segment/group; St = Status: M=Mandatory, C=Conditional, R=Required, O=Optional, D=Dependent, A=Advised, N=Not used



### 3. SEGMENTS

Tag	St	MaxOcc	Name			
<b>SG15</b>	R	1	Individual handling unit's transport label number			
<b>GIN</b>	M	1	Individual handling unit's transport label number			
EDIFACT			vitesco			
Tag	Name	St	Format	St	Format	Usage / Remark
7405	Object identification code qualifier	M	an..3	M	an..3	<b>ML Marking/label number</b>
C208	Identity number range	M		M		
7402	Object identifier	M	an..17	M	an..17	Handling unit's transport label number
7402	Object identifier		an..35	N		Not used
C208	Identity number range			N		
7402	Object identifier		an..35	N		Not used
7402	Object identifier		an..35	N		Not used
C208	Identity number range			N		
7402	Object identifier		an..35	N		Not used
7402	Object identifier		an..35	N		Not used
C208	Identity number range			N		
7402	Object identifier		an..35	N		Not used
7402	Object identifier		an..35	N		Not used
C208	Identity number range			N		
7402	Object identifier		an..35	N		Not used
7402	Object identifier		an..35	N		Not used

**Remark:**

**Example:** GIN+ML+12345 '

MaxOcc = Maximum occurrence of the segment/group; St = Status: M=Mandatory, C=Conditional, R=Required, O=Optional, D=Dependent, A=Advised, N=Not used

### 3. SEGMENTS

Tag	St	MaxOcc	Name
<b>SG15</b>	R	98	Individual handling unit's label numbers
<b>GIN</b>	M	1	Individual packaging item's label numbers

EDIFACT			vitesco		
Tag	Name	St Format	St	Format	Usage / Remark
7405	Object identification code qualifier	M an..3	M	an..3	<b>AW Serial shipping container code</b>
C208	Identity number range	M	M		
7402	Object identifier	M an..35	M	an..35	The same value used in RFF+ACI of the single-packaging
7402	Object identifier	an..35	N		Not used
C208	Identity number range	C	O		Further label numbers of packages contained in the identified handling unit.
7402	Object identifier	M an..35	M	an..35	
7402	Object identifier	an..35	N		Not used
C208	Identity number range	C	O		Further label numbers of packages contained in the identified handling unit.
7402	Object identifier	M an..35	M	an..35	
7402	Object identifier	an..35	N		Not used
C208	Identity number range	C	O		Further label numbers of packages contained in the identified handling unit.
7402	Object identifier	M an..35	M	an..35	
7402	Object identifier	an..35	N		Not used
C208	Identity number range	C	O		Further label numbers of packages contained in the identified handling unit.
7402	Object identifier	M an..35	M	an..35	
7402	Object identifier	an..35	N		Not used

**Remark:**

List of or Range of serial numbers of packages contained in the identified handling unit.

**Example:** GIN+AW+67890+77890+34567+45678+45680'

MaxOcc = Maximum occurrence of the segment/group; St = Status: M=Mandatory, C=Conditional, R=Required, O=Optional, D=Dependent, A=Advised, N=Not used

### 3. SEGMENTS

Tag	St	MaxOcc	Name	
<b>SG10</b>	O	9999	<b>Packaging aid</b> The maximum number of SG 10 in a message shall not exceed 9999.	
<b>CPS</b>	M	1	<b>Consignment packing sequence</b>	
EDIFACT			vitesco	
Tag	Name	St Format	St Format	Usage / Remark
7164	Hierarchical structure level identifier	M n..6	R n..6	Line Item Number
7166	Hierarchical structure parent identifier	C an..35	O an..35	
7075	Packaging level code	C an..3	R an..3	<b>2 Intermediate</b>

**Remark:**

Mapping comments

The hierarchical structure of the message has to be created by a proper combination of values in DE 7164 (line number) and 7166 (parent line number). There is no default article driven or package driven logic. Therefore, the message can be used for every variant of the business process.

Business partners using this message should specify mutually the implementation profile in order to simplify the usage.

The values of this Line Number shall not duplicate other occurrences of the CPS.

**Example:** CPS+30++2'

MaxOcc = Maximum occurrence of the segment/group; St = Status: M=Mandatory, C=Conditional, R=Required, O=Optional, D=Dependent, A=Advised, N=Not used

### 3. SEGMENTS

Tag	St	MaxOcc	Name			
<b>SG11</b>	O	9999	Packaging aid			
<b>PAC</b>	M	1	Package			
EDIFACT			vitesco			
Tag	Name	St	Format	St	Format	Usage / Remark
7224	Package quantity	C	n..8	R	n..8	
C531	Packaging details	C		R		
7075	Packaging level code		an..3	N		Not used
7233	Packaging related description code	C	an..3	R	an..3	<b>37 Package protection</b>
7073	Packaging terms and conditions code		an..3	N		Not used
C202	Package type	C		O		
7065	Package type description code	C	an..17	R	an..17	
1131	Code list identification code		an..17	N		Not used
3055	Code list responsible agency code	C	an..3	O	an..3	<b>92 Assigned by buyer or buyer's agent</b>
7064	Type of packages		an..35	N		Not used
C402	Package type identification			N		
7077	Description format code		an..3	N		Not used
7064	Type of packages		an..35	N		Not used
7143	Item type identification code		an..3	N		Not used
7064	Type of packages		an..35	N		Not used
7143	Item type identification code		an..3	N		Not used
C532	Returnable package details			N		
8395	Returnable package freight payment responsibility code		an..3	N		Not used
8393	Returnable package load contents code		an..3	N		Not used

**Remark:**

**Example:** PAC+2+:37+AE:::92'

MaxOcc = Maximum occurrence of the segment/group; St = Status: M=Mandatory, C=Conditional, R=Required, O=Optional, D=Dependent, A=Advised, N=Not used

### 3. SEGMENTS

Tag	St	MaxOcc	Name			
<b>UNT</b>	M	1	Message trailer			
EDIFACT		vitesco				
Tag	Name	St	Format	St	Format	Usage / Remark
0074	Number of segments in the message	M	n..6	M	n..6	Number of segments in the message
0062	Message reference number	M	an..14	M	an..14	Message reference number

**Remark:**

**Example:** UNT+45+ABC123'

MaxOcc = Maximum occurrence of the segment/group; St = Status: M=Mandatory, C=Conditional, R=Required, O=Optional, D=Dependent, A=Advised, N=Not used

### 3. SEGMENTS

Tag	St	MaxOcc	Name			
<b>UNZ</b>	M	1	Interchange trailer			
EDIFACT			vitesco			
Tag	Name	St	Format	St	Format	Usage / Remark
0036	Interchange control count	M	n..6	M	n..6	
0020	Interchange control reference	M	an..14	M	an..14	

**Remark:**

**Example:** UNZ+1+X'

MaxOcc = Maximum occurrence of the segment/group; St = Status: M=Mandatory, C=Conditional, R=Required, O=Optional, D=Dependent, A=Advised, N=Not used

#### 4. EXAMPLE MESSAGE

No	Tag	Example
01	<b>UNA</b>	UNA:+.?'
02	<b>UNB</b>	UNB+UNOC:3+X:1:X+X:1:X+080617:1009+X+X+X+A+1+X+1'
03	<b>UNH</b>	UNH+ABC123+DESADV:D:07A:UN:GA0220'
04	<b>BGM</b>	BGM+351:::ABC123+ABC123:::1+1+AB'
05	<b>DTM</b>	DTM+137:20021201:102'
06	<b>DTM</b>	DTM+132:20021202:102'
07	<b>MEA</b>	MEA+AAX+AAD+KGM:1000'
08	<b>MEA</b>	MEA+AAX+AAL+KGM:950'
<b>SG1</b>		
09	<b>RFF</b>	RFF+AAS:TD-2002-101:120'
10	<b>DTM</b>	DTM+171:20021123:102'
<b>SG2</b>		
11	<b>NAD</b>	NAD+ST+33:::92+ABC123:::ABC123+Name1:Name2+Street1:Street2++++DE'
12	<b>LOC</b>	LOC+11+W0001:::92:LocationName'
<b>SG2</b>		
13	<b>NAD</b>	NAD+BY+BuyerID:::92+ABC123:::ABC123+BuyerName1:BuyerName2+Street1:Street2+BuyerCity++12345+DE'
<b>SG2</b>		
14	<b>NAD</b>	NAD+SU+100-98654:::92+123ABC:::ABC123+SupplierName1:SupplierName2+Street1:Street2+SupplierCity++45678+DE'
<b>SG6</b>		
15	<b>TDT</b>	TDT+12++30'
<b>SG8</b>		
16	<b>EQD</b>	EQD+CN+12345'
<b>SG10</b>		
17	<b>CPS</b>	CPS+10+1+1'
<b>SG11</b>		
18	<b>PAC</b>	PAC+5+:35:11+BE:::92'
19	<b>MEA</b>	MEA+AAY+G+KGM:1000'
20	<b>MEA</b>	MEA+AAY+AAL+KGM:990'
21	<b>MEA</b>	MEA+AAY+LN+CMT:100'
22	<b>MEA</b>	MEA+AAY+WD+CMT:100'
23	<b>MEA</b>	MEA+AAY+HT+CMT:100'
24	<b>QTY</b>	QTY+52:10:C62'
<b>SG13</b>		

No = Consecutive segment number

No	Tag	Example
25	PCI	PCI+17+455485++1J::92'
26	RFF	RFF+ACI:#443'
	<b>SG14</b>	
27	GIR	GIR+1+Charge:BX'
	<b>SG15</b>	
28	GIN	GIN+ML+#01+#03+#05+#07+#09'
	<b>SG17</b>	
29	LIN	LIN+1++ABC123:IN'
30	PIA	PIA+1+76543:SA+EngineeringChangeLevel:EC+X:AA'
31	MEA	MEA+PD+AAL+KGM:10'
32	QTY	QTY+12:50:C62'
33	ALI	ALI+SE'
	<b>SG18</b>	
34	RFF	RFF+AAN:12345:050'
35	DTM	DTM+171:20021101:102'
	<b>SG18</b>	
36	RFF	RFF+ON:ABC123:1'
	<b>SG10</b>	
37	CPS	CPS+30++3'
	<b>SG11</b>	
38	PAC	PAC+1+:35+1W::92'
39	MEA	MEA+AAZ+LN+MTR:1.2'
40	MEA	MEA+AAZ+WD+MTR:1.0'
41	MEA	MEA+AAZ+HT+MTR:1.2'
	<b>SG13</b>	
42	PCI	PCI+17+++6J::92'
	<b>SG15</b>	
43	GIN	GIN+ML+12345'
	<b>SG15</b>	
44	GIN	GIN+AW+67890+77890+34567+45678+45680'
	<b>SG10</b>	
45	CPS	CPS+30++2'
	<b>SG11</b>	
46	PAC	PAC+2+:37+AE::92'
47	UNT	UNT+45+ABC123'
48	UNZ	UNZ+1+X'

No = Consecutive segment number