

# VDA 4990 T2 - GLOBAL INVRPT

**BASED ON INVRPT - INVENTORY REPORT MESSAGE  
UN D.13A S3**

Version: V 1.0 - 2014  
Variant: Vitesco Technologies  
Issue date: 30.04.2014  
Author: Vitesco Technologies

## CONTENTS

1 Message Structure .....	3
2 Branching Diagram .....	5
3 Segments.....	10
4 Example .....	52

## 1. STRUCTURE / TABLE OF CONTENTS

Tag	St	MaxOcc	Content	
UNA	O	1	Service string advice	UNA:+.? '
UNB	M	1	Interchange header	UNB+UNOC:3+OD012345:59:123+987654321:1:LA FES+071205:1446+144659+++++1'
UNH	M	1	Message header	UNH++INVRPT:D:13A:UN:GAVJ10'
BGM	M	1	Beginning of message	BGM+35::6:PRO++9'
DTM	M	1	Message date	DTM+137:20140808:102'
SG2	R	1	Warehouse manager	
NAD	M	1	Warehouse manager	NAD+WH+123::91++Continental Automotive GmbH:Name2+Siemensstraße 12:Street2+Regensburg++93055+DE'
SG2	R	1	Receiver of the inventory report	
NAD	M	1	Name and address	NAD+GM+Identifier::92++Name1:Name2+Street1:Street2+City++12345+DE'
SG2	D	1	Ship to	
NAD	M	1	Ship to's name and address	NAD+ST+Identifier::92++Name1:Name2+Street1:Street2+City++12345+DE'
LOC	O	1	Place of discharge	LOC+11+Abladestelle Id::92:Abladestelle'
SG9	R	9999999	Article	
LIN	M	1	Line item	LIN+1+++123ABC:IN'
PIA	O	1	Additional product id	PIA+1+ZusätzlicheProduktidentifikation:SA+ZusätzlicheProduktidentifikation:HS+ZusätzlicheProduktidentifikation:EC+ZusätzlicheProduktidentifikation:AB+ZusätzlicheProduktidentifikation:CL'
ALI	O	1	Country of origin	ALI+DE'
DTM	O	1	Design revision date	DTM+380::102'
DTM	O	1	Engineering change date	DTM+60::102'
DTM	D	3	Production date, best before date, expiration date	DTM+94:20130807:102'
SG12	D	9999	Stock movement	
INV	M	1	Inventory management related details	INV+1+++1'
QTY	M	1	Movement quantity	QTY+156:100:PCE'
QTY	O	1	Resulting calculated stock quantity	QTY+145:100:PCE'
LOC	R	1	Warehouse / storage facility	LOC+18+X'
DTM	D	1	Date/time/period	DTM+179:20140324:102'
SG15	O	10	Delivery note number, for deliveries from the warehouse	
RFF	M	1	Delivery note number, for deliveries from the warehouse	RFF+AAU:9'
DTM	O	1	Reference document date/time	DTM+171'
SG15	O	1	Goods receipt message number	
RFF	M	1	Goods receipt message number	RFF+ALO:9'
DTM	O	1	Reference document date/time	DTM+171'
SG15	O	1	General reference for stock entry - aggregation number	
RFF	M	1	General reference for stock entry - aggregation number	RFF+TN:9'

MaxOcc = Maximum occurrence of the segment/  
group

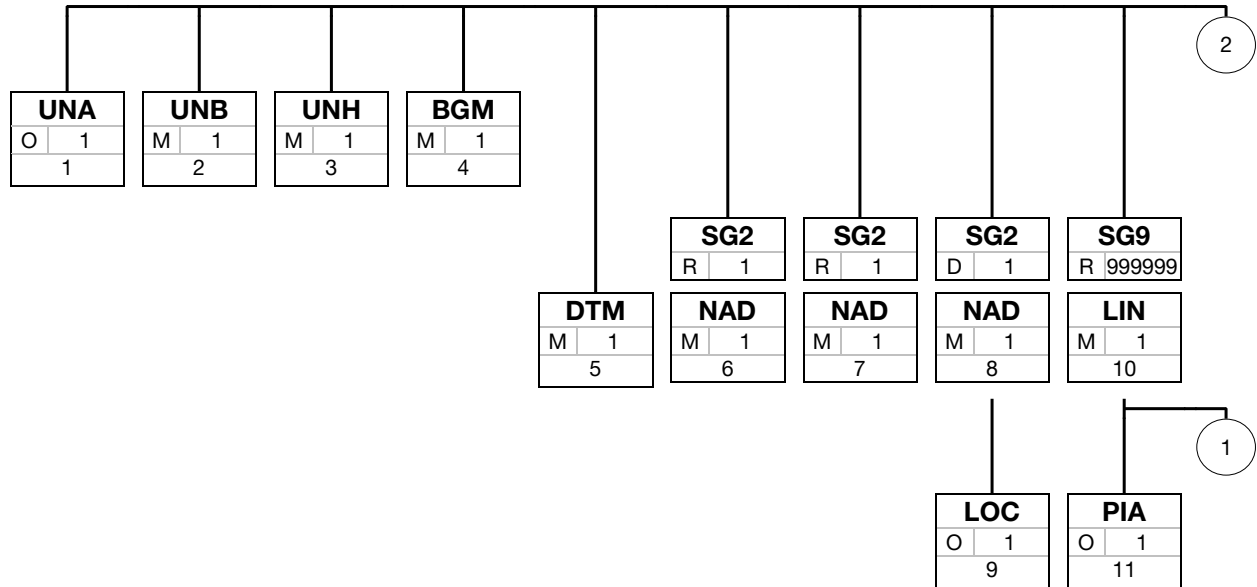
St = Status: M=Mandatory, C=Conditional, R=Required, O=Optional,  
D=Dependent, A=Advised, N=Not used

Tag	St	MaxOcc	Content	
<b>DTM</b>	O	1	Reference document date/time	<b>DTM+171</b> '
<b>SG15</b>	O	1	Original delivery note number	
<b>RFF</b>	M	1	Original delivery note number	<b>RFF+DQ:9</b> '
<b>DTM</b>	O	1	Reference document date/time	<b>DTM+171</b> '
<b>SG15</b>	O	10	Reference documents Order reference	
<b>RFF</b>	M	1	Order reference	<b>RFF+ON:9</b> '
<b>DTM</b>	O	1	Reference document date/time	<b>DTM+171</b> '
<b>SG12</b>	D	9999	Inventory balance per individual warehouse / condition / different stocks only with PROACT, for ACS only Consi-stock	
<b>INV</b>	R	1	Inventory management related details	<b>INV+N/A</b> '
<b>QTY</b>	M	9	Current stock quantity	<b>QTY+145:4000:PCE</b> '
<b>QTY</b>	O	1	Previously reported stock quantity	<b>QTY+18:X:04</b> '
<b>LOC</b>	R	5	Warehouse	<b>LOC+18+X::X</b> '
<b>DTM</b>	O	1	Message date of the previous message	<b>DTM+127:X:102</b> '
<b>UNT</b>	M	1	Message trailer	<b>UNT+</b> '
<b>UNZ</b>	M	1	Interchange trailer	<b>UNZ+1+INTERCHANGE 1</b> '

MaxOcc = Maximum occurrence of the segment/  
group

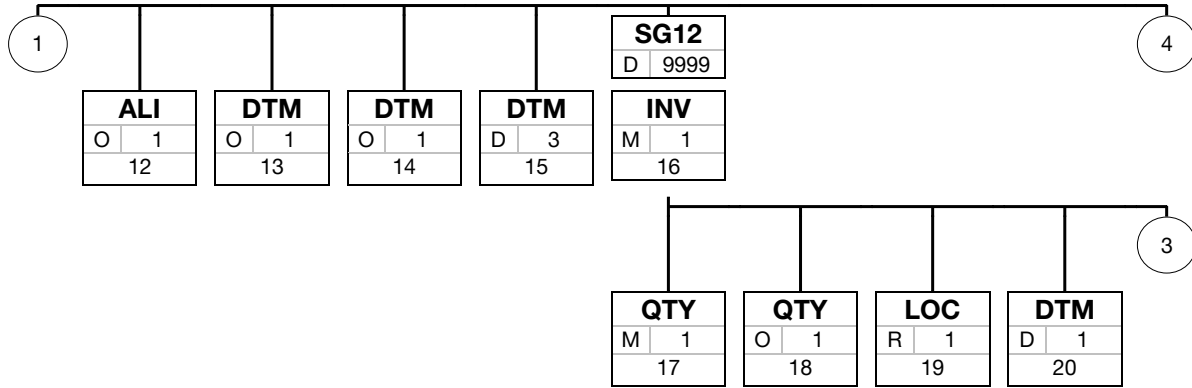
St = Status: M=Mandatory, C=Conditional, R=Required, O=Optional,  
D=Dependent, A=Advised, N=Not used

2. BRANCHING DIAGRAM OF USED SEGMENTS/GROUPS



Tag
St MaxOcc
No

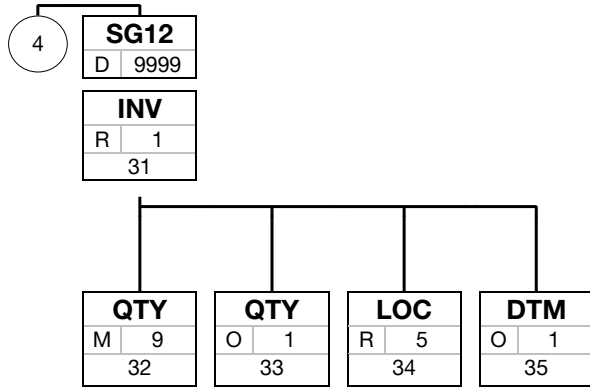
Tag = Segment/Group Tag  
St = Status: M=Mandatory, C=Conditional, R=Required, O=Optional, D=Dependent, A=Advised, N=Not used  
MaxOcc = Maximum occurrence of the segment/group  
No = Consecutive segment number



Tag
St MaxOcc
No

Tag = Segment/Group Tag  
 St = Status: M=Mandatory, C=Conditional, R=Required, O=Optional, D=Dependent, A=Advised, N=Not used  
 MaxOcc = Maximum occurrence of the segment/group  
 No = Consecutive segment number

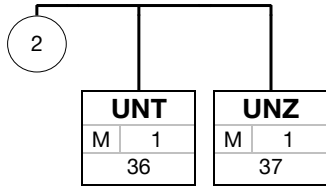




Tag
St MaxOcc
No

Tag = Segment/Group Tag  
 St = Status: M=Mandatory, C=Conditional, R=Required, O=Optional, D=Dependent, A=Advised, N=Not used  
 MaxOcc = Maximum occurrence of the segment/group  
 No = Consecutive segment number





Tag
St MaxOcc
No

Tag = Segment/Group Tag  
 St = Status: M=Mandatory, C=Conditional, R=Required, O=Optional, D=Dependent, A=Advised, N=Not used  
 MaxOcc = Maximum occurrence of the segment/group  
 No = Consecutive segment number

### 3. SEGMENTS

Tag	St	MaxOcc	Name			
<b>UNA</b>	O	1	Service string advice			
		EDIFACT	vitesco			
Tag	Name	St	Format	St	Format	Usage / Remark
UNA1	Component data element separator	M	an1	M	an1	Colon
UNA2	Data element separator	M	an1	M	an1	Plus sign
UNA3	Decimal notation	M	an1	M	an1	Full stop
UNA4	Release indicator	M	an1	M	an1	Question mark
UNA5	Reserved for future use	M	an1	M	an1	
UNA6	Segment terminator	M	an1	M	an1	Apostrophe

**Remark:**

**Example:** UNA:+.? '

MaxOcc = Maximum occurrence of the segment/group; St = Status: M=Mandatory, C=Conditional, R=Required, O=Optional, D=Dependent, A=Advised, N=Not used

### 3. SEGMENTS

Tag	St	MaxOcc	Name			
<b>UNB</b>	M	1	<b>Interchange header</b>			
			EDIFACT	vitesco		
Tag	Name	St	Format	St	Format	Usage / Remark
S001	Syntax identifier	M		M		
0001	Syntax identifier	M	a4	M	a4	<b>UNOA UN/ECE level A</b> <b>UNOB UN/ECE level B</b> <b>UNOC UN/ECE level C</b> <b>UNOD UN/ECE level D</b>
0002	Syntax version number	M	n1	M	n1	<b>3 Version 3</b>
S002	Interchange sender	M		M		
0004	Sender identification	M	an..35	M	an..35	Unique ID of the sender in the data transmission network or system.
0007	Partner identification code qualifier	C	an..4	O	an..4	
0008	Address for reverse routing	C	an..14	O	an..14	Address of an application or internal system at sender's site to which reply messages should be routed.
S003	Interchange recipient	M		M		
0010	Recipient identification	M	an..35	M	an..35	Unique ID of the receiver in the data transmission network or system.
0007	Partner identification code qualifier	C	an..4	O	an..4	
0014	Routing address	C	an..14	O	an..14	Address of an application or an internal system at receiver's side: some OEMs generate delivery calls, etc. in different ERP systems. In this case, the despatch advice received from the supplier needs to be forwarded to the respective ERP system. In principle, EDIFACT refers to the UNB segment for a return address (section completed during delivery call) and a forwarding address (to be included in the despatch advice). Criteria for system change: Customer number, plant/work and unloading location The customer must submit an allocation table so that the supplier can store and apply these rules!
S004	Date/time of preparation	M		M		
0017	Date of preparation	M	n6	M	n6	Format YYMMDD
0019	Time of preparation	M	n4	M	n4	Format HHMM
0020	Interchange control reference	M	an..14	M	an..14	Unique ID of an interchange.
S005	Recipient's reference, password			N		
0022	Recipient's reference/ password		an..14	N		Not used
0025	Recipient's reference/ password qualifier		an2	N		Not used

MaxOcc = Maximum occurrence of the segment/group; St = Status: M=Mandatory, C=Conditional, R=Required, O=Optional, D=Dependent, A=Advised, N=Not used

EDIFACT			vitesco		
Tag	Name	St Format	St	Format	Usage / Remark
0026	Application reference	an..14	N		Not used
0029	Processing priority code	a1	N		Not used
0031	Acknowledgement request	n1	N		Not used
0032	Communications agreement ID	an..35	N		Not used
0035	Test indicator	C n1	O	n1	<p><b>1 Interchange is a test</b></p> <p>Only to be used for data interchange test purposes.  Omit this element for valid interchanges</p>

**Remark:**

**Example:** UNB+UNOC:3+OD012345:59:123+987654321:1:LAFES+071205:1446+144659+++++1'

### 3. SEGMENTS

Tag	St	MaxOcc	Name			
<b>UNH</b>	M	1	<b>Message header</b>			
			EDIFACT	vitesco		
Tag	Name	St	Format	St	Format	Usage / Remark
0062	Message reference number	M	an..14	M	an..14	Message reference number
S009	Message identifier	M		M		
0065	Message type	M	an..6	M	an..6	<b>INVRPT Inventory report message</b>
0052	Message version number	M	an..3	M	an..3	<b>D Draft version/UN/EDIFACT Directory</b>
0054	Message release number	M	an..3	M	an..3	<b>13A Release 2013 - A</b>
0051	Controlling agency	M	an..2	M	an..2	<b>UN UN/CEFACT</b>
0057	Association assigned code	C	an..6	R	an..6	
0068	Common access reference		an..35	N		Not used
S010	Status of the transfer			N		
0070	Sequence of transfers		n..2	N		Not used
0073	First and last transfer		a1	N		Not used

**Remark:**

**Example:** UNH++INVRPT:D:13A:UN:GAVJ10'

MaxOcc = Maximum occurrence of the segment/group; St = Status: M=Mandatory, C=Conditional, R=Required, O=Optional, D=Dependent, A=Advised, N=Not used

### 3. SEGMENTS

Tag	St	MaxOcc	Name			
<b>BGM</b>	M	1	<b>Beginning of message</b>			
EDIFACT			vitesco			
Tag	Name	St	Format	St	Format	Usage / Remark
C002	Document/message name	C		R		
1001	Document name code	C	an..3	R	an..3	35 - Stock report, based on the calculated stocks 78 - Stock movement detection (additions, disposals and internal transfers) <b>35 Inventory report</b> <b>78 Inventory movement advice</b>
1131	Code list identification code		an..17	N		- Not used
3055	Code list responsible agency code	C	an..3	O	an..3	<b>6 UN/ECE (United Nations - Economic Commission for Europe)</b> <b>272 Joint Automotive Industry agency</b>
1000	Process description, only for PROACT	C	an..35	O	an..35	Process description, as "Consignmet warehouse" or "Steel inventory" etc.
C106	Document/message identification	C		R		
1004	Document identifier	C	an..17	R	an..17	Message number of the inventory report or movement advice
1056	Version identifier		an..9	N		Not used
1060	Revision identifier		an..6	N		Not used
1225	Message function code	C	an..3	O	an..3	<b>9 Original</b>
4343	Response type code		an..3	N		Not used
1373	Document status code		an..3	N		Not used

**Remark:**

**Example:** BGM+35::6:PRO++9'

### 3. SEGMENTS

Tag	St	MaxOcc	Name			
<b>DTM</b>	M	1	Message date			
			EDIFACT	vitesco		
Tag	Name	St	Format	St	Format	Usage / Remark
C507	Date/time/period	M		M		
2005	Date or time or period function code qualifier	M	an..3	M	an..3	<b>137 Document issue date time</b>
2380	Date or time or period text	C	an..14	R	an..14	
2379	Date or time or period format code	C	an..3	R	an..3	<b>102 CCYYMMDD</b> <b>203 CCYYMMDDHHMM</b>

**Remark:**

Message date is equal / synonymous to date / time of the inventory report.

**Example:** DTM+137:20140808:102'

### 3. SEGMENTS

Tag	St	MaxOcc	Name			
<b>SG2</b>	R	1	<b>Warehouse manager</b>			
<b>NAD</b>	M	1	<b>Warehouse manager</b>			
EDIFACT			vitesco			
Tag	Name	St	Format	St	Format	Usage / Remark
3035	Party function code qualifier	M	an..3	M	an..3	<b>WH Warehouse keeper</b>
C082	Party identification details	C		R		
3039	Party identifier	M	an..20	R	an..20	Unique identifier of business partner (customer number, supplier number, DUNS number, etc.).
1131	Code list identification code		an..17	N		Not used
3055	Code list responsible agency code	C	an..3	R	an..3	Code specifying the agency responsible for a code list. <b>91 Assigned by seller or seller's agent</b>
C058	Name and address			N		
3124	Name and address description	M	an..35	M	an..35	
3124	Name and address description		an..35	N		Not used
3124	Name and address description		an..35	N		Not used
3124	Name and address description		an..35	N		Not used
3124	Name and address description		an..35	N		Not used
C080	Party name	C		O		
3036	Party name	M	an..35	M	an..35	Single text line for party name
3036	Party name	C	an..35	O	an..35	see 3036 # 1
3036	Party name		an..70	N		Not used
3036	Party name		an..70	N		Not used
3036	Party name		an..70	N		Not used
3045	Party name format code		an..3	N		Not used
C059	Street	C		O		
3042	Street and number or post office box identifier	M	an..35	M	an..35	Part of address identifying the location of a building, normally given together with street
3042	Street and number or post office box identifier	C	an..35	O	an..35	see 3042 # 1
3042	Street and number or post office box identifier		an..35	N		Not used
3042	Street and number or post office box identifier		an..35	N		Not used
3164	City name	C	an..35	O	an..35	The name of the city, town, or village of this address.
C819	Country subdivision details			N		
3229	Country subdivision identifier	C	an..9	C	an..9	
1131	Code list identification code		an..17	N		Not used

MaxOcc = Maximum occurrence of the segment/group; St = Status: M=Mandatory, C=Conditional, R=Required, O=Optional, D=Dependent, A=Advised, N=Not used



EDIFACT			vitesco		
Tag	Name	St Format	St	Format	Usage / Remark
3055	Code list responsible agency code	an..3	N		Not used
3228	Country subdivision name	an..70	N		Not used
3251	Postal identification code	C an..17	O	an..17	Identifier of one or more address data properties according to the postal service of the respective country
3207	Country identifier	C a2	O	a2	Provides the country part of an address using a code. Use ISO3166 two alpha code.

**Remark:**

**Example:** NAD+WH+123::91++Continental Automotive GmbH:Name2+Siemensstraße 12:Street2+Regensburg++93055+DE'

### 3. SEGMENTS

Tag	St	MaxOcc	Name			
<b>SG2</b>	R	1	<b>Receiver of the inventory report</b>			
<b>NAD</b>	M	1	<b>Name and address</b>			
EDIFACT			vitesco			
Tag	Name	St	Format	St	Format	Usage / Remark
3035	Party function code qualifier	M	an..3	M	an..3	<b>GM Inventory controller</b>
C082	Party identification details	C		R		
3039	Party identifier	M	an..20	R	an..20	Unique identifier of business partner (customer number, supplier number, DUNS number, etc.).
1131	Code list identification code		an..17	N		Not used
3055	Code list responsible agency code	C	an..3	R	an..3	Code specifying the agency responsible for a code list. <b>92 Assigned by buyer or buyer's agent</b>
C058	Name and address			N		
3124	Name and address description	M	an..35	M	an..35	
3124	Name and address description		an..35	N		Not used
3124	Name and address description		an..35	N		Not used
3124	Name and address description		an..35	N		Not used
3124	Name and address description		an..35	N		Not used
C080	Party name	C		O		
3036	Party name	M	an..35	M	an..35	Single text line for party name
3036	Party name	C	an..35	O	an..35	see 3036 # 1
3036	Party name		an..70	N		Not used
3036	Party name		an..70	N		Not used
3036	Party name		an..70	N		Not used
3045	Party name format code		an..3	N		Not used
C059	Street	C		O		
3042	Street and number or post office box identifier	M	an..35	M	an..35	Part of address identifying the location of a building, normally given together with street
3042	Street and number or post office box identifier	C	an..35	O	an..35	see 3042 # 1
3042	Street and number or post office box identifier		an..35	N		Not used
3042	Street and number or post office box identifier		an..35	N		Not used
3164	City name	C	an..35	O	an..35	The name of the city, town, or village of this address.
C819	Country subdivision details			N		
3229	Country subdivision identifier	C	an..9	C	an..9	
1131	Code list identification code		an..17	N		Not used

MaxOcc = Maximum occurrence of the segment/group; St = Status: M=Mandatory, C=Conditional, R=Required, O=Optional, D=Dependent, A=Advised, N=Not used

EDIFACT			vitesco		
Tag	Name	St Format	St	Format	Usage / Remark
3055	Code list responsible agency code	an..3	N		Not used
3228	Country subdivision name	an..70	N		Not used
3251	Postal identification code	C an..17	O	an..17	Identifier of one or more address data properties according to the postal service of the respective country
3207	Country identifier	C a2	O	a2	Provides the country part of an address using a code. Use ISO3166 two alpha code.

**Remark:**

**Example:** NAD+GM+Identifier::92++Name1:Name2+Street1:Street2+City++12345+DE'

### 3. SEGMENTS

Tag	St	MaxOcc	Name			
<b>SG2</b>	D	1	<b>Ship to</b>			
<b>NAD</b>	M	1	<b>Ship to's name and address</b>			
			EDIFACT	vitesco		
Tag	Name	St	Format	St	Format	Usage / Remark
3035	Party function code qualifier	M	an..3	M	an..3	<b>ST Ship to</b>
C082	Party identification details	C		R		
3039	Party identifier	M	an..20	R	an..20	Unique identifier of business partner (customer number, supplier number, DUNS number, etc.).
1131	Code list identification code		an..17	N		Not used
3055	Code list responsible agency code	C	an..3	R	an..3	Code specifying the agency responsible for a code list. <b>92 Assigned by buyer or buyer's agent</b>
C058	Name and address			N		
3124	Name and address description	M	an..35	M	an..35	
3124	Name and address description		an..35	N		Not used
3124	Name and address description		an..35	N		Not used
3124	Name and address description		an..35	N		Not used
3124	Name and address description		an..35	N		Not used
C080	Party name	C		O		
3036	Party name	M	an..35	M	an..35	Single text line for specification of a name
3036	Party name	C	an..35	O	an..35	Single text line for specification of a name
3036	Party name		an..70	N		Not used
3036	Party name		an..70	N		Not used
3036	Party name		an..70	N		Not used
3045	Party name format code		an..3	N		Not used
C059	Street	C		O		
3042	Street and number or post office box identifier	M	an..35	M	an..35	Part of address identifying the location of a building, normally given together with street
3042	Street and number or post office box identifier	C	an..35	O	an..35	
3042	Street and number or post office box identifier		an..35	N		Not used
3042	Street and number or post office box identifier		an..35	N		Not used
3164	City name	C	an..35	O	an..35	The name of the city, town, or village of this address.
C819	Country subdivision details			N		
3229	Country subdivision identifier	C	an..9	C	an..9	
1131	Code list identification code		an..17	N		Not used

MaxOcc = Maximum occurrence of the segment/group; St = Status: M=Mandatory, C=Conditional, R=Required, O=Optional, D=Dependent, A=Advised, N=Not used

EDIFACT			vitesco		
Tag	Name	St Format	St	Format	Usage / Remark
3055	Code list responsible agency code	an..3	N		Not used
3228	Country subdivision name	an..70	N		Not used
3251	Postal identification code	C an..17	O	an..17	Identifier of one or more address data properties according to the postal service of the respective country
3207	Country identifier	C a2	O	a2	Provides the country part of an address using a code. Use ISO3166 two alpha code. The codes of this codelist are documented in a separate document

**Remark:**

**Example:** NAD+ST+Identifier::92++Name1:Name2+Street1:Street2+City++12345+DE'

### 3. SEGMENTS

Tag	St	MaxOcc	Name
<b>SG2</b>	D	1	<b>Ship to</b>
<b>LOC</b>	O	1	<b>Place of discharge</b>

EDIFACT			vitesco		
Tag	Name	St Format	St	Format	Usage / Remark
3227	Location function code qualifier	M an..3	M	an..3	<b>11 Place of discharge</b>
C517	Location identification	C	R		
3225	Location identifier	C an..35	R	an..35	Identifier of location, site, etc.
1131	Code list identification code	an..17	N		Not used
3055	Code list responsible agency code	C an..3	O	an..3	Code specifying the agency responsible for a code list. <b>92 Assigned by buyer or buyer's agent</b>
3224	Location name	C an..256	O	an..256	Name of place/location; if necessary, use complete address.
C519	Related location one identification		N		
3223	First related location identifier	an..35	N		Not used
1131	Code list identification code	an..17	N		Not used
3055	Code list responsible agency code	an..3	N		Not used
3222	First related location name	an..70	N		Not used
C553	Related location two identification		N		
3233	Second related location identifier	an..35	N		Not used
1131	Code list identification code	an..17	N		Not used
3055	Code list responsible agency code	an..3	N		Not used
3232	Second related location name	an..70	N		Not used
5479	Relation code	an..3	N		Not used

**Remark:**

Location where goods are unloaded from transport vehicle.

**Example:** LOC+11+Abladestelle Id::92:Abladestelle'

### 3. SEGMENTS

Tag	St	MaxOcc	Name			
<b>SG9</b>	R	9999999	Article			
<b>LIN</b>	M	1	Line item			
EDIFACT			vitesco			
Tag	Name	St	Format	St	Format	Usage / Remark
1082	Line item identifier	C	n..6	O	n..6	Line number
1229	Action code		an..3	N		- Not used
C212	Item number identification	C		R		
7140	Item identifier	C	an..35	R	an..35	Article Number
7143	Item type identification code	C	an..3	R	an..3	<b>IN Buyer's item number</b>
1131	Code list identification code		an..17	N		Not used
3055	Code list responsible agency code		an..3	N		Not used
C829	Sub-line information			N		
5495	Sub-line indicator code		an..3	N		Not used
1082	Line item identifier		an..6	N		Not used
1222	Configuration level number		n..2	N		Not used
7083	Configuration operation code		an..3	N		Not used

**Remark:**

**Example:** LIN+1+++123ABC:IN'

### 3. SEGMENTS

Tag	St	MaxOcc	Name			
<b>SG9</b>	R	9999999	Article			
<b>PIA</b>	O	1	Additional product id			
EDIFACT			vitesco			
Tag	Name	St	Format	St	Format	Usage / Remark
4347	Product identifier code qualifier	M	an..3	M	an..3	<b>1 Additional identification</b>
C212	Item number identification	M		M		
7140	Item identifier	C	an..35	R	an..35	ID number
7143	Item type identification code	C	an..3	R	an..3	EC - Änderungsstand (Konstruktionsänderungsstand) DR - Teilegenerationsstand (ändert sich mit dem Werkzeug, das zur Herstellung des Teils verwendet wurde) AG - Softwarestand AB - Versorgungsgruppe bei BMW - Teilmenge der Abrufgruppe BT - Hardwarestand EC - Engineering change status DR - Parts generation status (changes with the tool used in the production of the part) AG - Software status AB - Supply group at BMW - subset of the call off group BT - Hardware status <b>SA Supplier's article number</b> <b>EC Engineering change level</b> <b>AG Software revision number</b> <b>DR Drawing revision number</b> <b>AB Assembly</b> <b>EN International Article Numbering Association (EAN)</b> <b>MN Model number</b> <b>CL Colour number</b> <b>UA Ultimate customer's article number</b> <b>RY Record keeping of model year</b> <b>HS Harmonised system</b> <b>BT Technical phase</b> <b>NB Batch number</b>
1131	Code list identification code		an..17	N		Not used
3055	Code list responsible agency code		an..3	N		Not used
C212	Drawing/design revision number	C		O		

MaxOcc = Maximum occurrence of the segment/group; St = Status: M=Mandatory, C=Conditional, R=Required, O=Optional, D=Dependent, A=Advised, N=Not used



EDIFACT			vitesco		
Tag	Name	St Format	St	Format	Usage / Remark
7140	Item identifier	C an..35	R	an..35	ID Nummer ID number
7143	Item type identification code	C an..3	R	an..3	Codes siehe C212#1/DE 7143 For codes, see C212#1/DE 7143
1131	Code list identification code	an..17	N		Not used
3055	Code list responsible agency code	an..3	N		Not used
C212	Engineering Change Number	C	O		
7140	Item identifier	C an..35	R	an..35	ID Nummer ID number
7143	Item type identification code	C an..3	R	an..3	Codes siehe C212#1/DE 7143 For codes, see C212#1/DE 7143
1131	Code list identification code	an..17	N		Not used
3055	Code list responsible agency code	an..3	N		Not used
C212	General specification number	C	O		
7140	Item identifier	C an..35	R	an..35	ID Nummer ID number
7143	Item type identification code	C an..3	R	an..3	Codes siehe C212#1/DE 7143 For codes, see C212#1/DE 7143
1131	Code list identification code	an..17	N		Not used
3055	Code list responsible agency code	an..3	N		Not used
C212	Colour number	C	O		
7140	Item identifier	C an..35	R	an..35	ID Nummer ID number
7143	Item type identification code	C an..3	R	an..3	Codes siehe C212#1/DE 7143 For codes, see C212#1/DE 7143
1131	Code list identification code	an..17	N		Not used
3055	Code list responsible agency code	an..3	N		Not used

**Remark:**

The sequence of the individual IDs in C212 is free. The first C212 must however be filled. The remaining C212 are optional.

**Example:**

PIA+1+ZusätzlicheProduktidentifikation:SA+ZusätzlicheProduktidentifikation:HS+ZusätzlicheProduktidentifikation:EC+ZusätzlicheProduktidentifikation:AB+ZusätzlicheProduktidentifikation:CL'

MaxOcc = Maximum occurrence of the segment/group; St = Status: M=Mandatory, C=Conditional, R=Required, O=Optional, D=Dependent, A=Advised, N=Not used

### 3. SEGMENTS

Tag	St	MaxOcc	Name
<b>SG9</b>	R	9999999	Article
<b>ALI</b>	O	1	Country of origin
EDIFACT		vitesco	
Tag	Name	St Format	Usage / Remark
3239	Country of origin identifier	C a2	Country Of Origin Coded
9213	Duty regime type code	an..3	Not used
4183	Special condition code	an..3	Not used
4183	Special condition code	an..3	Not used
4183	Special condition code	an..3	Not used
4183	Special condition code	an..3	Not used
4183	Special condition code	an..3	Not used

**Remark:**

**Example:** ALI+DE'

MaxOcc = Maximum occurrence of the segment/group; St = Status: M=Mandatory, C=Conditional, R=Required, O=Optional, D=Dependent, A=Advised, N=Not used

### 3. SEGMENTS

Tag	St	MaxOcc	Name
<b>SG9</b>	R	9999999	Article
<b>DTM</b>	O	1	Design revision date
EDIFACT		vitesco	
Tag	Name	St Format	St Format Usage / Remark
C507	Date/time/period	M	M
2005	Date or time or period function code qualifier	M an..3	M an..3
2380	Date or time or period text	C an..14	R an..14
2379	Date or time or period format code	C an..3	R an..3
			User defined <b>380 Drawing revision date</b>
			Design Revision Date
			<b>102 CCYYMMDD</b>

**Remark:**

**Example:** DTM+380:::102'

MaxOcc = Maximum occurrence of the segment/group; St = Status: M=Mandatory, C=Conditional, R=Required, O=Optional, D=Dependent, A=Advised, N=Not used

### 3. SEGMENTS

Tag	St	MaxOcc	Name			
<b>SG9</b>	R	9999999	Article			
<b>DTM</b>	O	1	Engineering change date			
EDIFACT		vitesco				
Tag	Name	St	Format	St	Format	Usage / Remark
C507	Date/time/period	M		M		
2005	Date or time or period function code qualifier	M	an..3	M	an..3	<b>60 Engineering change level date</b>
2380	Date or time or period text	C	an..14	R	an..14	Engineering Change Date
2379	Date or time or period format code	C	an..3	R	an..3	<b>102 CCYYMMDD</b>

**Remark:**

**Example:** DTM+60:::102'

### 3. SEGMENTS

Tag	St	MaxOcc	Name	
<b>SG9</b>	R	9999999	Article	
<b>DTM</b>	D	3	Production date, best before date, expiration date	
EDIFACT		vitesco		
Tag	Name	St Format	St Format Usage / Remark	
C507	Date/time/period	M	M	
2005	Date or time or period function code qualifier	M an..3	M an..3	<b>94 Production/manufacture date</b> <b>36 Expiry date</b> <b>361 Product best before date time</b>
2380	Date or time or period text	C n..12	R n..12	Date according to qualifier in DE 2005
2379	Date or time or period format code	C an..3	O an..3	<b>102 CCYYMMDD</b>

**Remark:**

**Example:** DTM+94:20130807:102'

MaxOcc = Maximum occurrence of the segment/group; St = Status: M=Mandatory, C=Conditional, R=Required, O=Optional, D=Dependent, A=Advised, N=Not used

### 3. SEGMENTS

Tag	St	MaxOcc	Name
<b>SG12</b>	D	9999	<b>Stock movement</b>
<b>INV</b>	M	1	<b>Inventory management related details</b>
EDIFACT			vitesco
Tag	Name	St Format	St Format Usage / Remark
4501	Inventory movement direction code	C an..3	R an..3 <b>1 Movement out of inventory</b> <b>2 Movement into inventory</b>
7491	Inventory type code	an..3	N Not used
4499	Inventory movement reason code	C an..3	R an..3 <b>1 Reception</b> <b>2 Delivery</b> <b>3 Scrapped parts</b> <b>4 Difference</b> <b>5 Property transfer within warehouse</b> <b>6 Inventory recycling</b> <b>7 Reversal of previous movement</b> <b>11 Consumption</b>
4503	Inventory balance method code	an..3	N Not used
C522	Instruction		N
4403	Instruction type code qualifier	an..3	N Not used
4401	Instruction description code	an..3	N Not used
1131	Code list identification code	an..17	N Not used
3055	Code list responsible agency code	an..3	N Not used
4400	Instruction description	an..35	N Not used

**Remark:**

In a INVRPT message one can transmit either only movement data (this SG 12) or only Stock balance data (next SG 12).

**Example:** INV+1++1'

### 3. SEGMENTS

Tag	St	MaxOcc	Name			
<b>SG12</b>	D	9999	<b>Stock movement</b>			
<b>QTY</b>	M	1	<b>Movement quantity</b>			
EDIFACT			vitesco			
Tag	Name	St	Format	St	Format	Usage / Remark
C186	Quantity details	M		M		
6063	Quantity type code qualifier	M	an..3	M	an..3	<b>156 Bestandsbewegungsmenge</b>
6060	Quantity	M	an..35	M	an..35	
6411	Measurement unit code	C	an..3	O	an..3	Code specifying the unit of measurement, use UN/ECE Rec. 20  <b>C62 one</b> <b>PCE</b> <b>SET set</b> <b>MTR metre</b> <b>CMT centimetre</b> <b>MMT millimetre</b> <b>MTK square metre</b> <b>LEF leaf</b> <b>MTQ cubic metre</b> <b>LTR litre</b> <b>PR pair</b> <b>RO</b> <b>TNE tonne (metric ton)</b> <b>KGM kilogram</b> <b>GRM gram</b> <b>KMT kilometre</b>
						PCE and C62 are synonymous for piece

**Remark:**

**Example:** QTY+156:100:PCE'

### 3. SEGMENTS

Tag	St	MaxOcc	Name			
<b>SG12</b>	D	9999	<b>Stock movement</b>			
<b>QTY</b>	O	1	<b>Resulting calculated stock quantity</b>			
EDIFACT			vitesco			
Tag	Name	St	Format	St	Format	Usage / Remark
C186	Quantity details	M		M		
6063	Quantity type code qualifier	M	an..3	M	an..3	<b>145 Aktueller Lagerbestand</b>
6060	Quantity	M	an..35	M	an..35	
6411	Measurement unit code	C	an..3	O	an..3	Maßeinheit, codiert gem. UN/ECE Rec. 20 <b>C62 one</b> <b>PCE</b> <b>SET set</b> <b>MTR metre</b> <b>CMT centimetre</b> <b>MMT millimetre</b> <b>MTK square metre</b> <b>LEF leaf</b> <b>MTQ cubic metre</b> <b>LTR litre</b> <b>PR pair</b> <b>RO</b> <b>TNE tonne (metric ton)</b> <b>KGM kilogram</b> <b>GRM gram</b> <b>KMT kilometre</b>
						PCE and C62 are synonymous for piece

**Remark:**

**Example:** QTY+145:100:PCE'



### 3. SEGMENTS

Tag	St	MaxOcc	Name			
<b>SG12</b>	D	9999	<b>Stock movement</b>			
<b>LOC</b>	R	1	<b>Warehouse / storage facility</b>			
			EDIFACT	vitesco		
Tag	Name	St	Format	St	Format	Usage / Remark
3227	Location function code qualifier	M	an..3	M	an..3	<b>18 Warehouse</b>
C517	Location identification	C		R		
3225	Location identifier	C	an..35	R	an..35	ID of the warehouse / storage facility. This may be a logical or virtual storage facility as well. Qualifier 152 will be sent for the complete Consi-stock
1131	Code list identification code		an..17	N		Not used
3055	Code list responsible agency code		an..3	N		Not used
3224	Location name		an..256	N		Not used
C519	Related location one identification			N		
3223	First related location identifier		an..35	N		Not used
1131	Code list identification code		an..17	N		Not used
3055	Code list responsible agency code		an..3	N		Not used
3222	First related location name		an..70	N		Not used
C553	Related location two identification			N		
3233	Second related location identifier		an..35	N		Not used
1131	Code list identification code		an..17	N		Not used
3055	Code list responsible agency code		an..3	N		Not used
3232	Second related location name		an..70	N		Not used
5479	Relation code		an..3	N		Not used

**Remark:**

**Example:** LOC+18+X'

MaxOcc = Maximum occurrence of the segment/group; St = Status: M=Mandatory, C=Conditional, R=Required, O=Optional, D=Dependent, A=Advised, N=Not used

### 3. SEGMENTS

Tag	St	MaxOcc	Name	
<b>SG12</b>	D	9999	<b>Stock movement</b>	
<b>DTM</b>	D	1	<b>Date/time/period</b>	
EDIFACT		vitesco		
Tag	Name	St Format	St Format Usage / Remark	
C507	Date/time/period	M	M	
2005	Date or time or period function code qualifier	M an..3	M an..3	<b>179 Buchungsdatum/-zeit</b>
2380	Date or time or period text	C n..12	R n..12	Date / time of the stock movement respectively the booking.
2379	Date or time or period format code	C an..3	R an..3	<b>102 CCYYMMDD</b>

**Remark:**

Date / time of the stock movement, if different from message date.

**Example:** DTM+179:20140324:102'

MaxOcc = Maximum occurrence of the segment/group; St = Status: M=Mandatory, C=Conditional, R=Required, O=Optional, D=Dependent, A=Advised, N=Not used

### 3. SEGMENTS

Tag	St	MaxOcc	Name	
<b>SG15</b>	O	10	<b>Delivery note number, for deliveries from the warehouse</b>	
<b>RFF</b>	M	1	<b>Delivery note number, for deliveries from the warehouse</b>	
		EDIFACT	vitesco	
Tag	Name	St Format	St Format Usage / Remark	
C506	Reference	M	M	
1153	Reference code qualifier	M an..3	M an..3	Document Type Coded <b>AAU Despatch note document identifier</b>
1154	Delivery note number, for deliveries from the warehouse (if generated)	C an..17	R an..17	Document Number
1156	Document line identifier	an..6	N	Not used
1056	Version identifier	an..9	N	Not used
1060	Revision identifier	an..6	N	Not used

**Remark:**

**Example:** RFF+AAU:9'

### 3. SEGMENTS

Tag	St	MaxOcc	Name
<b>SG15</b>	O	10	Delivery note number, for deliveries from the warehouse
<b>DTM</b>	O	1	Reference document date/time
		EDIFACT	vitesco
Tag	Name	St Format	St Format Usage / Remark
C507	Date/time/period	M	M
2005	Date or time or period function code qualifier	M an..3	M an..3 <b>171 Reference date/time</b>
2380	Date or time or period text	C an..14	R an..14 Document Date/Time
2379	Date or time or period format code	C an..3	R an..3 <b>102 CCYYMMDD</b> <b>203 CCYYMMDDHHMM</b>

**Remark:**

**Example:** DTM+171'

MaxOcc = Maximum occurrence of the segment/group; St = Status: M=Mandatory, C=Conditional, R=Required, O=Optional, D=Dependent, A=Advised, N=Not used

### 3. SEGMENTS

Tag	St	MaxOcc	Name	
<b>SG15</b>	O	1	Goods receipt message number	
<b>RFF</b>	M	1	Goods receipt message number	
		EDIFACT	vitesco	
Tag	Name	St Format	St Format	Usage / Remark
C506	Reference	M	M	
1153	Reference code qualifier	M an..3	M an..3	Document Type Coded <b>ALO Receiving advice number</b>
1154	Goods receipt message number	C an..17	R an..17	Document Number
1156	Document line identifier	an..6	N	Not used
1056	Version identifier	an..9	N	Not used
1060	Revision identifier	an..6	N	Not used

**Remark:**

**Example:** RFF+ALO:9'

### 3. SEGMENTS

Tag	St	MaxOcc	Name
<b>SG15</b>	O	1	Goods receipt message number
<b>DTM</b>	O	1	Reference document date/time
		EDIFACT	vitesco
Tag	Name	St Format	St Format Usage / Remark
C507	Date/time/period	M	M
2005	Date or time or period function code qualifier	M an..3	M an..3 <b>171 Reference date/time</b>
2380	Date or time or period text	C an..14	R an..14 Document Date/Time
2379	Date or time or period format code	C an..3	R an..3 <b>102 CCYYMMDD</b> <b>203 CCYYMMDDHHMM</b>

**Remark:**

**Example:** DTM+171'

MaxOcc = Maximum occurrence of the segment/group; St = Status: M=Mandatory, C=Conditional, R=Required, O=Optional, D=Dependent, A=Advised, N=Not used

### 3. SEGMENTS

Tag	St	MaxOcc	Name	
<b>SG15</b>	O	1	General reference for stock entry - aggregation number	
<b>RFF</b>	M	1	General reference for stock entry - aggregation number	
		EDIFACT	vitesco	
Tag	Name	St Format	St Format	Usage / Remark
C506	Reference	M	M	
1153	Reference code qualifier	M an..3	M an..3	Document Type Coded <b>TN Transaction reference number</b>
1154	General reference for stock entry - aggregation number	C an..17	R an..17	Document Number
1156	Document line identifier	an..6	N	Not used
1056	Version identifier	an..9	N	Not used
1060	Revision identifier	an..6	N	Not used

**Remark:**

**Example:** RFF+TN: 9'

### 3. SEGMENTS

Tag	St	MaxOcc	Name	
<b>SG15</b>	O	1	<b>General reference for stock entry - aggregation number</b>	
<b>DTM</b>	O	1	<b>Reference document date/time</b>	
		EDIFACT	vitesco	
Tag	Name	St Format	St Format Usage / Remark	
C507	Date/time/period	M	M	
2005	Date or time or period function code qualifier	M an..3	M an..3	<b>171 Reference date/time</b>
2380	Date or time or period text	C an..14	R an..14	Document Date/Time
2379	Date or time or period format code	C an..3	R an..3	<b>102 CCYYMMDD</b>

**Remark:**

**Example:** DTM+171'



### 3. SEGMENTS

Tag	St	MaxOcc	Name	
<b>SG15</b>	O	1	Original delivery note number	
<b>RFF</b>	M	1	Original delivery note number	
		EDIFACT	vitesco	
Tag	Name	St Format	St Format Usage / Remark	
C506	Reference	M	M	
1153	Reference code qualifier	M an..3	M an..3	Document Type Coded <b>DQ Delivery note number</b>
1154	Original delivery note number Number of the delivery to the warehouse (for message for movements out of inventory that is generated parallel to a DESADV)	C an..17	R an..17	Document Number
1156	Document line identifier	an..6	N	Not used
1056	Version identifier	an..9	N	Not used
1060	Revision identifier	an..6	N	Not used

**Remark:**

**Example:** RFF+DQ:9'

MaxOcc = Maximum occurrence of the segment/group; St = Status: M=Mandatory, C=Conditional, R=Required, O=Optional, D=Dependent, A=Advised, N=Not used

### 3. SEGMENTS

Tag	St	MaxOcc	Name	
<b>SG15</b>	O	1	Original delivery note number	
<b>DTM</b>	O	1	Reference document date/time	
EDIFACT			vitesco	
Tag	Name	St Format	St Format	Usage / Remark
C507	Date/time/period	M	M	
2005	Date or time or period function code qualifier	M an..3	M an..3	<b>171 Reference date/time</b>
2380	Date or time or period text	C an..14	R an..14	Document Date/Time
2379	Date or time or period format code	C an..3	R an..3	<b>102 CCYYMMDD</b> <b>203 CCYYMMDDHHMM</b>

**Remark:**

**Example:** DTM+171'

### 3. SEGMENTS

Tag	St	MaxOcc	Name			
<b>SG15</b>	O	10	<b>Reference documents</b> <b>Order reference</b>			
<b>RFF</b>	M	1	<b>Order reference</b>			
			EDIFACT	vitesco		
Tag	Name	St	Format	St	Format	Usage / Remark
C506	Reference	M		M		
1153	Reference code qualifier	M	an..3	M	an..3	Document Type Coded <b>ON Order document identifier, buyer assigned</b>
1154	Order reference	C	an..17	R	an..17	Document Number
1156	Document line identifier		an..6	N		Not used
1056	Version identifier		an..9	N		Not used
1060	Revision identifier		an..6	N		Not used

**Remark:**

**Example:** RFF+ON:9'

MaxOcc = Maximum occurrence of the segment/group; St = Status: M=Mandatory, C=Conditional, R=Required, O=Optional, D=Dependent, A=Advised, N=Not used

### 3. SEGMENTS

Tag	St	MaxOcc	Name			
<b>SG15</b>	O	10	<b>Reference documents Order reference</b>			
<b>DTM</b>	O	1	<b>Reference document date/time</b>			
		EDIFACT	vitesco			
Tag	Name	St	Format	St	Format	Usage / Remark
C507	Date/time/period	M		M		
2005	Date or time or period function code qualifier	M	an..3	M	an..3	<b>171 Reference date/time</b>
2380	Date or time or period text	C	an..14	R	an..14	Document Date/Time
2379	Date or time or period format code	C	an..3	R	an..3	<b>102 CCYYMMDD</b>

**Remark:**

**Example:** DTM+171'

### 3. SEGMENTS

Tag	St	MaxOcc	Name	
<b>SG12</b>	D	9999	<b>Inventory balance per individual warehouse / condition / different stocks only with PROACT, for ACS only Consi-stock</b>	
<b>INV</b>	R	1	<b>Inventory management related details</b>	
		EDIFACT	vitesco	
Tag	Name	St Format	St Format	Usage / Remark
4501	Inventory movement direction code	C an..3	R an..3	Constant N/A as a place holder, no function: EDIFACT requires at least one data element in a segment.
7491	Inventory type code	an..3	N	Not used
4499	Inventory movement reason code	an..3	N	Not used
4503	Inventory balance method code	an..3	N	Not used
C522	Instruction		N	
4403	Instruction type code qualifier	an..3	N	Not used
4401	Instruction description code	an..3	N	Not used
1131	Code list identification code	an..17	N	Not used
3055	Code list responsible agency code	an..3	N	Not used
4400	Instruction description	an..35	N	Not used

**Remark:**

In a INVRPT message one can transmit either only movement data (this SG 12) or only Stock balance data (next SG 12).

Trigger for a new INV segments are:

- Condition (available, reserved, QA ...)
- Storage facility / warehouse ( logical or physical)

**Example:** INV+N/A'

### 3. SEGMENTS

Tag	St	MaxOcc	Name			
<b>SG12</b>	D	9999	<b>Inventory balance per individual warehouse / condition / different stocks only with PROACT, for ACS only Consi-stock</b>			
<b>QTY</b>	M	9	<b>Current stock quantity</b>			
EDIFACT			vitesco			
Tag	Name	St	Format	St	Format	Usage / Remark
C186	Quantity details	M		M		
6063	Quantity type code qualifier	M	an..3	M	an..3	145 - Endbestand <b>145 Actual stock</b>
6060	Quantity	M	an..35	M	an..35	Stock quantity in this inventory
6411	Measurement unit code	C	an..3	O	an..3	Quantity (to be) Despatched Measure Unit Specifier Code specifying the unit of measurement, use UN/ECE Rec. 20 Maßeinheit, codiert gem. UN/ECE Rec. 20 <b>C62 one</b> <b>PCE</b> <b>SET set</b> <b>MTR metre</b> <b>CMT centimetre</b> <b>MMT millimetre</b> <b>MTK square metre</b> <b>LEF leaf</b> <b>MTQ cubic metre</b> <b>LTR litre</b> <b>PR pair</b> <b>RO</b> <b>TNE tonne (metric ton)</b> <b>KGM kilogram</b> <b>GRM gram</b> <b>KMT kilometre</b> PCE und C62 sind Synonym für Stück. PCE and C62 areonymous for piece

**Remark:**

**Example:** QTY+145:4000:PCE'

### 3. SEGMENTS

Tag	St	MaxOcc	Name
<b>SG12</b>	D	9999	<b>Inventory balance per individual warehouse / condition / different stocks only with PROACT, for ACS only Consi-stock</b>
<b>QTY</b>	O	1	<b>Previously reported stock quantity</b>

EDIFACT			vitesco		
Tag	Name	St Format	St	Format	Usage / Remark
C186	Quantity details	M	M		
6063	Quantity type code qualifier	M an..3	M	an..3	<b>18 Previous quantity</b>
6060	Quantity	M an..35	M	an..35	
6411	Measurement unit code	C an..3	O	an..3	Quantity (to be) Despatched Measure Unit Specifier Code specifying the unit of measurement, use UN/ECE Rec. 20 Maßeinheit, codiert gem. UN/ECE Rec. 20 <b>C62 one</b> <b>PCE</b> <b>SET set</b> <b>MTR metre</b> <b>CMT centimetre</b> <b>MMT millimetre</b> <b>MTK square metre</b> <b>LEF leaf</b> <b>MTQ cubic metre</b> <b>LTR litre</b> <b>PR pair</b> <b>RO</b> <b>TNE tonne (metric ton)</b> <b>KGM kilogram</b> <b>GRM gram</b> <b>KMT kilometre</b> PCE und C62 sind Synonym für Stück. PCE and C62 are ynonymous for piece

**Remark:**

**Example:** QTY+18:X:04'

### 3. SEGMENTS

Tag	St	MaxOcc	Name			
<b>SG12</b>	D	9999	<b>Inventory balance per individual warehouse / condition / different stocks only with PROACT, for ACS only Consi-stock</b>			
<b>LOC</b>	R	5	<b>Warehouse</b>			
EDIFACT			vitesco			
Tag	Name	St	Format	St	Format	Usage / Remark
3227	Location function code qualifier	M	an..3	M	an..3	<b>18 Warehouse</b>
C517	Location identification	C		R		
3225	Location identifier	C	an..35	R	an..35	ID of the warehouse / storage facility. This may be a logical or virtual storage facility as well.
1131	Code list identification code	C	an..17	C	an..17	
3055	Code list responsible agency code	C	an..3	C	an..3	
3224	Location name	C	an..256	C	an..256	
C519	Related location one identification			N		
3223	First related location identifier		an..35	N		Not used
1131	Code list identification code		an..17	N		Not used
3055	Code list responsible agency code		an..3	N		Not used
3222	First related location name		an..70	N		Not used
C553	Related location two identification			N		
3233	Second related location identifier		an..35	N		Not used
1131	Code list identification code		an..17	N		Not used
3055	Code list responsible agency code		an..3	N		Not used
3232	Second related location name		an..70	N		Not used
5479	Relation code		an..3	N		Not used

**Remark:**

logical or physical warehouse or storage facility

**Example:** LOC+18+X:::X'

MaxOcc = Maximum occurrence of the segment/group; St = Status: M=Mandatory, C=Conditional, R=Required, O=Optional, D=Dependent, A=Advised, N=Not used



### 3. SEGMENTS

Tag	St	MaxOcc	Name	
<b>SG12</b>	D	9999	<b>Inventory balance per individual warehouse / condition / different stocks only with PROACT, for ACS only Consi-stock</b>	
<b>DTM</b>	O	1	<b>Message date of the previous message</b>	
		EDIFACT	vitesco	
Tag	Name	St Format	St Format	Usage / Remark
C507	Date/time/period	M	M	
2005	Date or time or period function code qualifier	M an..3	M an..3	<b>127 Previous report date</b>
2380	Date or time or period text	C n..12	R n..12	Date / time of previous report
2379	Date or time or period format code	C an..3	C an..3	<b>102 CCYYMMDD</b> <b>203 CCYYMMDDHHMM</b>

**Remark:**

**Example:** DTM+127:X:102'

MaxOcc = Maximum occurrence of the segment/group; St = Status: M=Mandatory, C=Conditional, R=Required, O=Optional, D=Dependent, A=Advised, N=Not used

### 3. SEGMENTS

Tag	St	MaxOcc	Name			
<b>UNT</b>	M	1	Message trailer			
EDIFACT		vitesco				
Tag	Name	St	Format	St	Format	Usage / Remark
0074	Number of segments in the message	M	n..6	M	n..6	Number of segments in the message
0062	Message reference number	M	an..14	M	an..14	Message reference number

**Remark:**

**Example:** UNT+ '

MaxOcc = Maximum occurrence of the segment/group; St = Status: M=Mandatory, C=Conditional, R=Required, O=Optional, D=Dependent, A=Advised, N=Not used

### 3. SEGMENTS

Tag	St	MaxOcc	Name			
<b>UNZ</b>	M	1	Interchange trailer			
EDIFACT		vitesco				
Tag	Name	St	Format	St	Format	Usage / Remark
0036	Interchange control count	M	n..6	M	n..6	Interchange control count
0020	Interchange control reference	M	an..14	M	an..14	Interchange control reference

**Remark:**

**Example:** UNZ+1+INTERCHANGE 1'

#### 4. EXAMPLE MESSAGE

No	Tag	Example
01	<b>UNA</b>	UNA:+.?'
02	<b>UNB</b>	UNB+UNOC:3+OD012345:59:123+987654321:1:LAFES+071205:1446+144659+++++1'
03	<b>UNH</b>	UNH++INVRPT:D:13A:UN:GAVJ10'
04	<b>BGM</b>	BGM+35::6:PRO++9'
05	<b>DTM</b>	DTM+137:20140808:102'
<b>SG2</b>		
06	<b>NAD</b>	NAD+WH+123::91++Continental Automotive GmbH:Name2+Siemensstraße 12:Street2+Regensburg++93055+DE'
<b>SG2</b>		
07	<b>NAD</b>	NAD+GM+Identifizier::92++Name1:Name2+Street1:Street2+City++12345+DE'
<b>SG2</b>		
08	<b>NAD</b>	NAD+ST+Identifizier::92++Name1:Name2+Street1:Street2+City++12345+DE'
09	<b>LOC</b>	LOC+11+Abladestelle Id::92:Abladestelle'
<b>SG9</b>		
10	<b>LIN</b>	LIN+1++123ABC:IN'
11	<b>PIA</b>	PIA+1+ZusätzlicheProduktidentifikation:SA+ZusätzlicheProduktidentifikation:HS+ZusätzlicheProduktidentifikation:EC+ZusätzlicheProduktidentifikation:AB+ZusätzlicheProduktidentifikation:CL'
12	<b>ALI</b>	ALI+DE'
13	<b>DTM</b>	DTM+380::102'
14	<b>DTM</b>	DTM+60::102'
15	<b>DTM</b>	DTM+94:20130807:102'
<b>SG12</b>		
16	<b>INV</b>	INV+1++1'
17	<b>QTY</b>	QTY+156:100:PCE'
18	<b>QTY</b>	QTY+145:100:PCE'
19	<b>LOC</b>	LOC+18+X'
20	<b>DTM</b>	DTM+179:20140324:102'
<b>SG15</b>		
21	<b>RFF</b>	RFF+AAU:9'
22	<b>DTM</b>	DTM+171'
<b>SG15</b>		
23	<b>RFF</b>	RFF+ALO:9'
24	<b>DTM</b>	DTM+171'
<b>SG15</b>		

No = Consecutive segment number

No	Tag	Example
25	<b>RFF</b>	RFF+TN:9'
26	<b>DTM</b>	DTM+171'
	<b>SG15</b>	
27	<b>RFF</b>	RFF+DQ:9'
28	<b>DTM</b>	DTM+171'
	<b>SG15</b>	
29	<b>RFF</b>	RFF+ON:9'
30	<b>DTM</b>	DTM+171'
	<b>SG12</b>	
31	<b>INV</b>	INV+N/A'
32	<b>QTY</b>	QTY+145:4000:PCE'
33	<b>QTY</b>	QTY+18:X:04'
34	<b>LOC</b>	LOC+18+X::X'
35	<b>DTM</b>	DTM+127:X:102'
36	<b>UNT</b>	UNT+ '
37	<b>UNZ</b>	UNZ+1+INTERCHANGE 1'

No = Consecutive segment number