

GLOBAL REMADV

**BASED ON REMADV - REMITTANCE ADVICE MESSAGE
UN D.03A S3**

Version: JAI 1.1
Variant: Vitesco Technologies
Issue date: 31.10.2008
Author: Vitesco Technologies

CONTENTS

1 Message Structure	3
2 Branching Diagram	5
3 Segments.....	10
4 Example	69

1. STRUCTURE / TABLE OF CONTENTS

Tag	St	MaxOcc	Content	
UNA	O	1	Service string advice	UNA:+.? '
UNB	M	1	Interchange header	UNB+UNOC:3+OD012345:59:123+987654321:1 :X+071205:1446+144659+++++1'
UNH	M	1	Message header	UNH+1+REMAADV:D:04A:UN:GMI041'
BGM	M	1	Beginning of message	BGM+481::6+2004-02:1:0+9'
DTM	M	1	Document issue date	DTM+137:20041001:102'
DTM	O	1	Payment date	DTM+138:20041005:102'
RFF	O	1	Bank order reference	RFF+PQ:20040101-222'
FII	O	1	Seller's or (exclusive) payee's financial institution information	FII+SE+588382800:Wholesale Inc.+DECIBA :150:114:::Detroit City Bank'
PAI	O	1	Payment instructions	PAI+::20::6'
SG1	R	1	Buyer Party	
NAD	M	1	Name and address	NAD+BY+321456::91++Name1:Name2+Street1 :Street2++++DE'
SG2	O	1	Internal account number	
RFF	M	1	Internal account number	RFF+ADE:123ABC'
SG3	O	1	Information contact	
CTA	M	1	Information contact	CTA+IC+:Meier'
COM	O	5	Communication means	COM+001 248 324588:TE'
SG3	O	1	Accounting contact	
CTA	M	1	Contact information	CTA+AD+:A. Brunetti'
COM	C	5	Communication means	COM+X:TE'
SG1	R	1	Seller Party	
NAD	M	1	Name and address	NAD+SE+123ABC::92++X:X+X:X+X+X+AD'
SG2	O	1	Internal account number	
RFF	M	1	Internal account number	RFF+ADE:98765'
SG3	O	1	Information contact	
CTA	M	1	Information contact	CTA+IC+:M. Miller'
COM	O	5	Communication means	COM+0049 30 97991433:FX'
SG3	O	1	Accounting contact	
CTA	M	1	Contact information	CTA+AD+:B. Lee'
COM	O	5	Communication means	COM+accounts@sales.com:EM'
SG1	D	1	Payee Party	
NAD	M	1	Name and address	NAD+PE+123ABC::92++Name1:Name2+Street1 :Street2+City++12345+DE'
SG2	O	1	Internal account number	
RFF	M	1	Internal account number	RFF+ADE:98765'
SG3	O	1	Information contact	
CTA	M	1	Information contact	CTA+IC+:Eric Smith'
COM	O	5	Communication means	COM+0044123456677:TE'
SG1	D	1	Payor Party	
NAD	M	1	Name and address	NAD+PL+123ABC::92++Name1:Name2+Street1 :Street2+City++12345+DE'

MaxOcc = Maximum occurrence of the segment/
 group

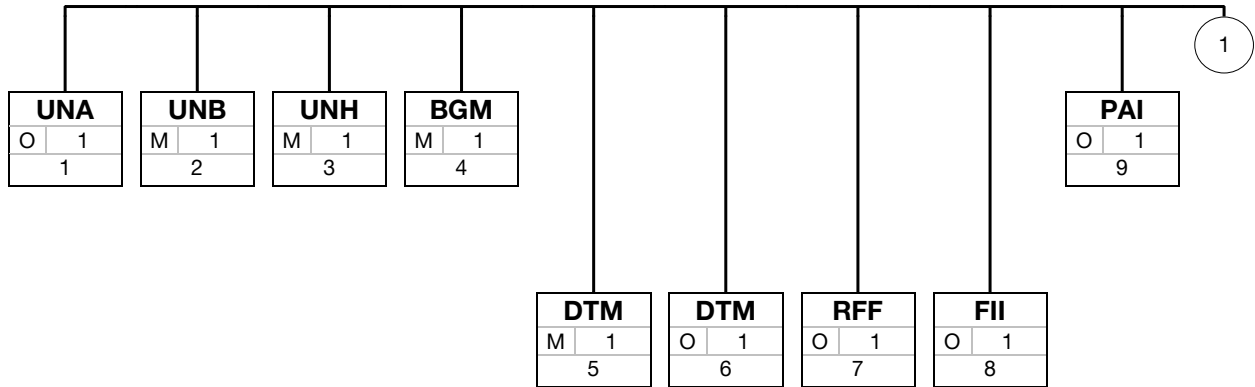
St = Status: M=Mandatory, C=Conditional, R=Required, O=Optional,
 D=Dependent, A=Advised, N=Not used

Tag	St	MaxOcc	Content	
SG2	O	1	Internal account number	
RFF	M	1	Internal account ID	RFF+ADE:44332'
SG3	O	1	Information contact	
CTA	M	1	Information contact	CTA+IC+:E.T. Hoffmann'
COM	O	5	Communication means	COM+001 248 343434:FX'
SG4	R	1	Payment currency	
CUX	M	1	Currencies	CUX+2:EUR:11'
SG5	R	999999	Covered accounting documents	
DOC	M	1	Document/message details	DOC+380::6+2004/0098::Seller'
MOA	R	1	Payment amount	MOA+340:900:USD'
MOA	O	1	Original amount / Gross amount	MOA+339:900:USD'
MOA	O	1	Payment discount amount	MOA+52:18:USD'
MOA	O	5	Other amounts	MOA+129:900:USD'
DTM	O	1	Issuer's document date	DTM+137:20041202:102'
DTM	O	1	Shipment Date	DTM+10:20041110:102'
DTM	O	5	Receiving Date	DTM+310:20041111:102'
DTM	O	5	Other reference dates	DTM+11:20041110:102'
RFF	O	1	Buyer's Transaction Identification (Scan code)	RFF+AIJ:ACC3321'
RFF	O	1	Buyer's booking ID	RFF+AV:XX-2004-12-01-877'
RFF	O	1	Buyer's sub entity description	RFF+PE:Plant ABC'
RFF	O	5	Other reference	RFF+BM:123-123:020'
SG9	O	5	Payment information text	
INP	M	1	Parties and instruction	INP+5+2'
FTX	O	5	Free text	FTX+PMD+++Payment text :::Payment text+en'
SG10	O	9999	Line item reference	
DLI	M	1	Document line identification	DLI+1+000400'
PIA	O	5	Additional product id	PIA+1+XZ-1324:IN+123-444:AB+99887766:MF+030:PL+2004-1654:PO'
UNS	M	1	Section control	UNS+S'
MOA	M	1	Total payment amount	MOA+12:900:USD'
MOA	O	1	Total discount amount	MOA+138:18:USD'
MOA	O	1	Original amount	MOA+98:900:USD'
UNT	M	1	Message trailer	UNT+50+1'
UNZ	M	1	Interchange trailer	UNZ+1+144659'

MaxOcc = Maximum occurrence of the segment/
 group

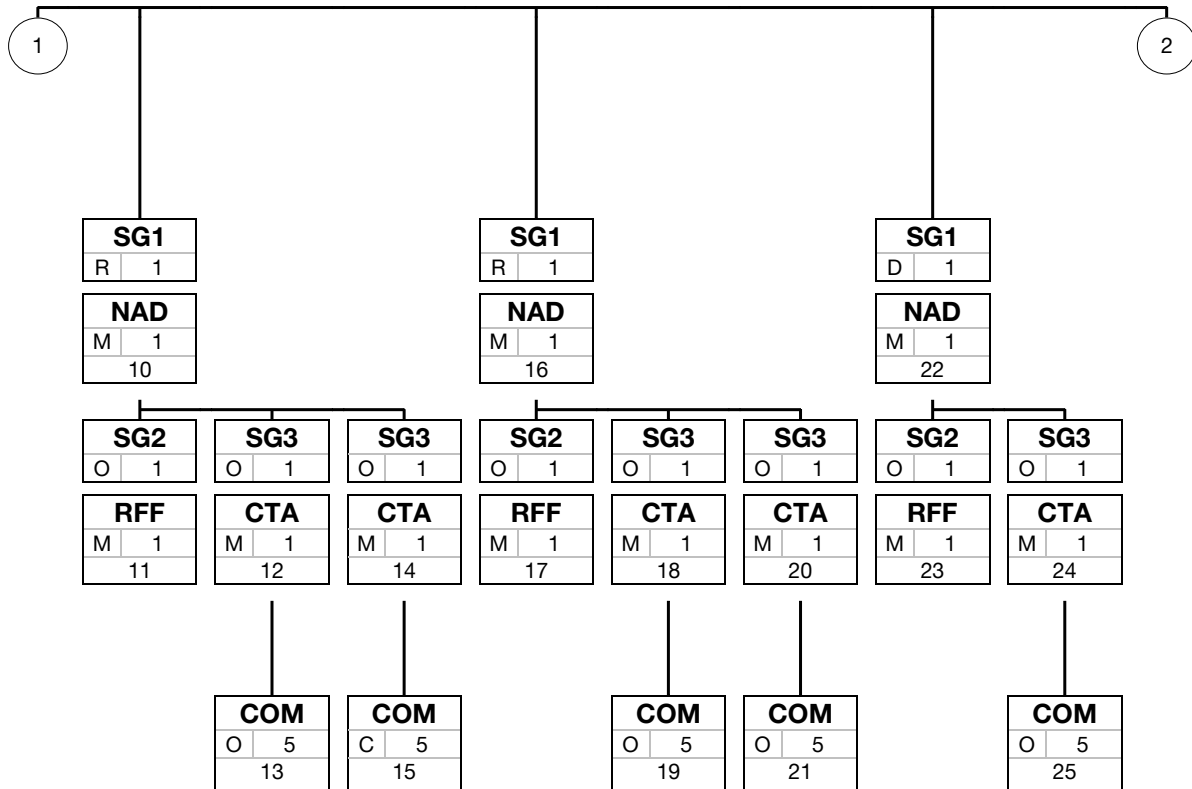
St = Status: M=Mandatory, C=Conditional, R=Required, O=Optional,
 D=Dependent, A=Advised, N=Not used

2. BRANCHING DIAGRAM OF USED SEGMENTS/GROUPS



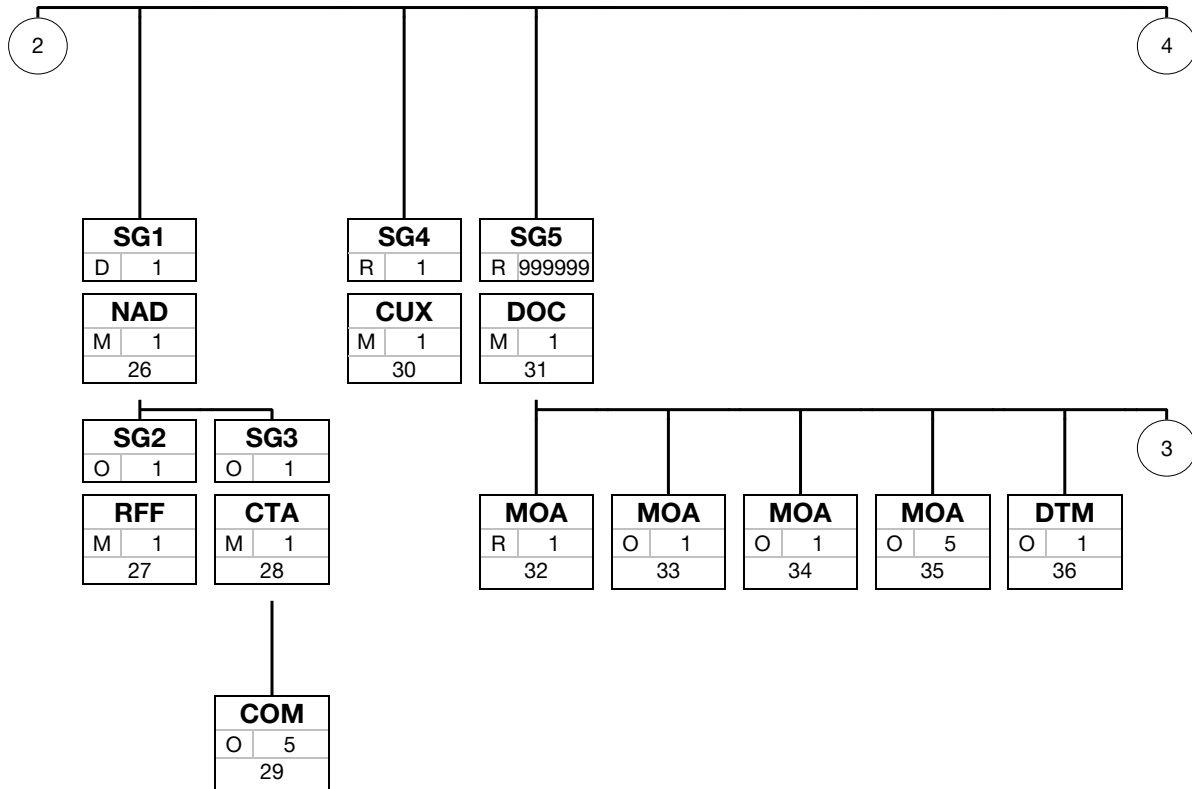
Tag
St MaxOcc
No

Tag = Segment/Group Tag
 St = Status: M=Mandatory, C=Conditional, R=Required, O=Optional, D=Dependent, A=Advised, N=Not used
 MaxOcc = Maximum occurrence of the segment/group
 No = Consecutive segment number



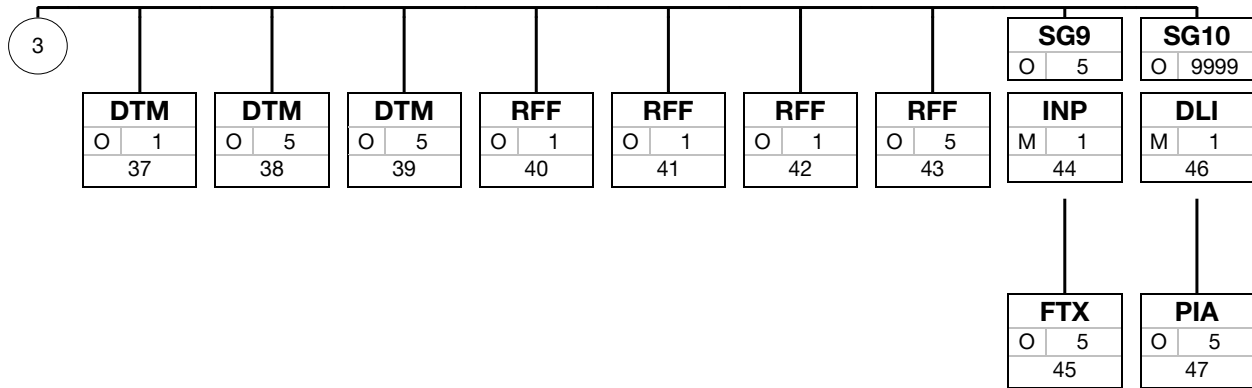
Tag	
St	MaxOcc
No	

Tag = Segment/Group Tag
 St = Status: M=Mandatory, C=Conditional, R=Required, O=Optional, D=Dependent, A=Advised, N=Not used
 MaxOcc = Maximum occurrence of the segment/group
 No = Consecutive segment number



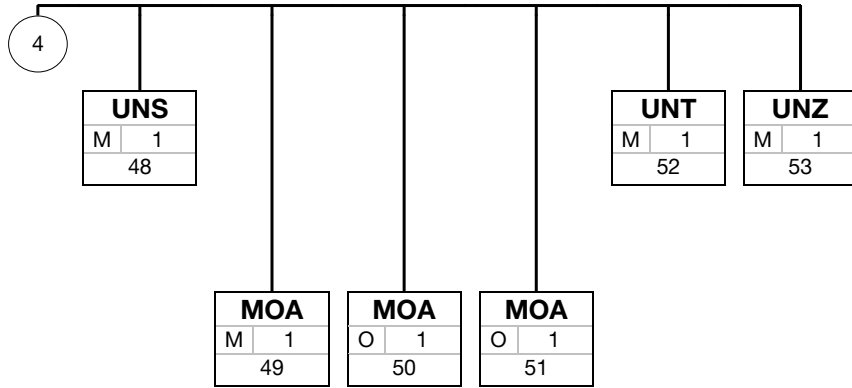
Tag	
St	MaxOcc
No	

Tag = Segment/Group Tag
 St = Status: M=Mandatory, C=Conditional, R=Required, O=Optional, D=Dependent, A=Advised, N=Not used
 MaxOcc = Maximum occurrence of the segment/group
 No = Consecutive segment number



Tag
St MaxOcc
No

Tag = Segment/Group Tag
 St = Status: M=Mandatory, C=Conditional, R=Required, O=Optional, D=Dependent, A=Advised, N=Not used
 MaxOcc = Maximum occurrence of the segment/group
 No = Consecutive segment number



Tag
St MaxOcc
No

Tag = Segment/Group Tag
 St = Status: M=Mandatory, C=Conditional, R=Required, O=Optional, D=Dependent, A=Advised, N=Not used
 MaxOcc = Maximum occurrence of the segment/group
 No = Consecutive segment number

3. SEGMENTS

Tag	St	MaxOcc	Name			
UNB	M	1	Interchange header			
			EDIFACT	vitesco		
Tag	Name	St	Format	St	Format	Usage / Remark
S001	Syntax identifier	M		M		
0001	Syntax identifier	M	a4	M	a4	UNOC UN/ECE level C
0002	Syntax version number	M	n1	M	n1	3 Version 3
S002	Interchange sender	M		M		
0004	Sender identification	M	an..35	M	an..35	Unique ID of the sender in the data transmission network or system.
0007	Partner identification code qualifier	C	an..4	O	an..4	
0008	Address for reverse routing	C	an..14	O	an..14	Address of an application or internal system at sender's site to which answer messages should be routed.
S003	Interchange recipient	M		M		
0010	Recipient identification	M	an..35	M	an..35	Unique ID of the receiver in the data transmission network or system.
0007	Partner identification code qualifier	C	an..4	O	an..4	
0014	Routing address	C	an..14	C	an..14	Address of an application or internal system at recipient's site.
S004	Date/time of preparation	M		M		
0017	Date of preparation	M	n6	M	n6	Format YYMMDD
0019	Time of preparation	M	n4	M	n4	Format HHMM
0020	Interchange control reference	M	an..14	M	an..14	Unique ID of an interchange.
S005	Recipient's reference, password			N		
0022	Recipient's reference/ password		an..14	N		Not used
0025	Recipient's reference/ password qualifier		an2	N		Not used
0026	Application reference		an..14	N		Not used
0029	Processing priority code		a1	N		Not used
0031	Acknowledgement request		n1	N		Not used
0032	Communications agreement ID		an..35	N		Not used
0035	Test indicator	C	n1	O	n1	1 Interchange is a test Only to be used, if the interchange is for test purposes. Omit this data element for valid interchanges.

Remark:

Example: UNB+UNOC:3+OD012345:59:123+987654321:1:X+071205:1446+144659+++++1'

MaxOcc = Maximum occurrence of the segment/group; St = Status: M=Mandatory, C=Conditional, R=Required, O=Optional, D=Dependent, A=Advised, N=Not used

3. SEGMENTS

Tag	St	MaxOcc	Name			
UNH	M	1	Message header			
			EDIFACT	vitesco		
Tag	Name	St	Format	St	Format	Usage / Remark
0062	Message reference number	M	an..14	M	an..14	Message number within the interchange: a consecutive number, usually starting with one
S009	Message identifier	M		M		
0065	Message type	M	an..6	M	an..6	REMADV Remittance advice message
0052	Message version number	M	an..3	M	an..3	D Draft version/UN/EDIFACT Directory
0054	Message release number	M	an..3	M	an..3	04A Release 2004 - A
0051	Controlling agency	M	an..2	M	an..2	UN UN/CEFACT
0057	Association assigned code	C	an..6	R	an..6	GMI041 Global Automotive Industry Remittance Advice Version 1
0068	Common access reference		an..35	N		Not used
S010	Status of the transfer			N		
0070	Sequence of transfers		n..2	N		Not used
0073	First and last transfer		a1	N		Not used

Remark:

Example: UNH+1+REMADV:D:04A:UN:GMI041'

MaxOcc = Maximum occurrence of the segment/group; St = Status: M=Mandatory, C=Conditional, R=Required, O=Optional, D=Dependent, A=Advised, N=Not used

3. SEGMENTS

Tag	St	MaxOcc	Name			
BGM	M	1	Beginning of message			
EDIFACT			vitesco			
Tag	Name	St	Format	St	Format	Usage / Remark
C002	Document/message name	C		R		
1001	Document name code	C	an..3	R	an..3	481 Remittance advice Additional codes for distinction of the 'flavour' will be necessary.
1131	Code list identification code		an..17	N		Not used
3055	Code list responsible agency code	C	an..3	O	an..3	6 UN/ECE (United Nations - Economic Commission for Europe)
1000	Document name		an..35	N		Not used
C106	Document/message identification	C		C		
1004	Document identifier	C	an..17	R	an..17	Document number as assigned by the issuer
1056	Version identifier	C	an..9	O	an..9	
1060	Revision identifier	C	an..6	O	an..6	
1225	Message function code	C	an..3	O	an..3	9 Original
4343	Response type code		an..3	N		Not used

Remark:

Example: BGM+481::6+2004-02:1:0+9'

3. SEGMENTS

Tag	St	MaxOcc	Name			
DTM	M	1	Document issue date			
EDIFACT		vitesco				
Tag	Name	St	Format	St	Format	Usage / Remark
C507	Date/time/period	M		M		
2005	Date or time or period function code qualifier	M	an..3	M	an..3	137 Document issue date time
2380	Date or time or period text	C	an..35	R	an..35	
2379	Date or time or period format code	C	an..3	R	an..3	102 CCYYMMDD

Remark:

Example: DTM+137:20041001:102'

MaxOcc = Maximum occurrence of the segment/group; St = Status: M=Mandatory, C=Conditional, R=Required, O=Optional, D=Dependent, A=Advised, N=Not used

3. SEGMENTS

Tag	St	MaxOcc	Name	
DTM	O	1	Payment date	
EDIFACT		vitesco		
Tag	Name	St	Format	Usage / Remark
C507	Date/time/period	M	M	
2005	Date or time or period function code qualifier	M	an..3	138 Payment availability date time
2380	Date or time or period text	C	n..14	
2379	Date or time or period format code	C	an..3	102 CCYYMMDD

Remark:

Example: DTM+138:20041005:102'

MaxOcc = Maximum occurrence of the segment/group; St = Status: M=Mandatory, C=Conditional, R=Required, O=Optional, D=Dependent, A=Advised, N=Not used

3. SEGMENTS

Tag	St	MaxOcc	Name			
RFF	O	1	Bank order reference			
EDIFACT			vitesco			
Tag	Name	St	Format	St	Format	Usage / Remark
C506	Reference	M		M		
1153	Reference code qualifier	M	an..3	M	an..3	PQ Payment reference
1154	Reference identifier	C	an..17	R	an..17	
1156	Document line identifier		an..6	N		Not used
4000	Reference version identifier		an..35	N		Not used
1060	Revision identifier		an..6	N		Not used

Remark:

Example: RFF+PQ:20040101-222'

3. SEGMENTS

Tag	St	MaxOcc	Name			
FII	O	1	Seller's or (exclusive) payee's financial institution information			
			EDIFACT	vitesco		
Tag	Name	St	Format	St	Format	Usage / Remark
3035	Party function code qualifier	M	an..3	M	an..3	SE Seller PE Payee
C078	Account holder identification	C		R		
3194	Account holder identifier	C	an..35	R	an..35	
3192	Account holder name	C	an..35	O	an..35	
3192	Account holder name		an..35	N		Not used
6345	Currency identification code		an..3	N		Not used
C088	Institution identification	C		C		
3433	Institution name code	C	an..11	O	an..11	Identification of the financial institution by an identifier.
1131	Code list identification code	C	an..17	O	an..17	150
3055	Code list responsible agency code	C	an..3	C	an..3	92 Assigned by buyer or buyer's agent 114 US, ABA (American Bankers Association) 17 S.W.I.F.T.
3434	Institution branch identifier	C	an..17	O	an..17	Bank identification code
1131	Code list identification code	C	an..17	O	an..17	
3055	Code list responsible agency code	C	an..3	O	an..3	
3432	Institution name	C	an..35	O	an..35	
3436	Institution branch location name		an..70	N		Not used
3207	Country name code		an..3	N		Not used

Remark:

Example: FII+SE+588382800:Wholesale Inc.+DECIBA:150:114::::Detroit City Bank'

MaxOcc = Maximum occurrence of the segment/group; St = Status: M=Mandatory, C=Conditional, R=Required, O=Optional, D=Dependent, A=Advised, N=Not used

3. SEGMENTS

Tag	St	MaxOcc	Name			
PAI	O	1	Payment instructions			
			EDIFACT	vitesco		
Tag	Name	St	Format	St	Format	Usage / Remark
C534	Payment instruction details	M		M		
4439	Payment conditions code		an..3	N		Not used
4431	Payment guarantee means code		an..3	N		Not used
4461	Payment means code	C	an..3	R	an..3	1 Instrument not defined 2 Automated clearing house credit 10 In cash 20 Cheque 21 Banker's draft 22 Certified banker's draft 23 Bank cheque (issued by a banking or similar establishment) 24 Bill of exchange awaiting acceptance 25 Certified cheque 30 Credit transfer 31 Debit transfer 32 ACH demand cash concentration/disbursement plus (CCD+) credit 40 ACH savings corporate trade exchange (CTX) debit 41 ACH savings cash concentration/disbursement plus (CCD+) credit 42 Payment to bank account 43 ACH savings cash concentration/disbursement plus (CCD+) debit 44 Accepted bill of exchange 45 Referenced home-banking credit transfer 50 Payment by postgiro 51 FR, norme 6 97-Telereglement CFONB (French Organisation for Banking Standards) - Option A 52 Urgent commercial payment 53 Urgent Treasury Payment 60 Promissory note 61 Promissory note signed by the debtor 62 Promissory note signed by the debtor and endorsed by a bank 63 Promissory note signed by the debtor and

MaxOcc = Maximum occurrence of the segment/group; St = Status: M=Mandatory, C=Conditional, R=Required, O=Optional, D=Dependent, A=Advised, N=Not used

EDIFACT			vitesco		
Tag	Name	St Format	St	Format	Usage / Remark
					endorsed by a third party 64 Promissory note signed by a bank 65 Promissory note signed by a bank and endorsed by another bank 66 Promissory note signed by a third party 67 Promissory note signed by a third party and endorsed by a bank 70 Bill drawn by the creditor on the debtor 74 Bill drawn by the creditor on a bank 75 Bill drawn by the creditor, endorsed by another bank 76 Bill drawn by the creditor on a bank and endorsed by a third party 77 Bill drawn by the creditor on a third party 78 Bill drawn by creditor on third party, accepted and endorsed by bank ZZZ Mutually defined (1) Odette/JAI Code - to be used in conjunction with Code 10 (Odette) or 272 (JAIF) in data element 3055.
1131	Code list identification code	an..17	N		Not used
3055	Code list responsible agency code	C an..3	O	an..3	6 UN/ECE (United Nations - Economic Commission for Europe) 10 ODETTE 272 Joint Automotive Industry agency It is recommended to use code 272 for codes not included in the UN/EDIFACT standard code list. Regional code lists are scheduled to be united in a common code list of the joint automotive industry.
4435	Payment channel code	an..3	N		Not used

Remark:

Example: PAI+::20::6'

3. SEGMENTS

Tag	St	MaxOcc	Name			
SG1	R	1	Buyer Party			
NAD	M	1	Name and address			
			EDIFACT	vitesco		
Tag	Name	St	Format	St	Format	Usage / Remark
3035	Party function code qualifier	M	an..3	M	an..3	BY Buyer
C082	Party identification details	C		R		
3039	Party identifier	M	an..35	R	an..35	
1131	Code list identification code		an..17	N		Not used
3055	Code list responsible agency code	C	an..3	R	an..3	91 Assigned by seller or seller's agent
C058	Name and address			N		
3124	Name and address description		an..35	N		Not used
3124	Name and address description		an..35	N		Not used
3124	Name and address description		an..35	N		Not used
3124	Name and address description		an..35	N		Not used
3124	Name and address description		an..35	N		Not used
C080	Party name	C		O		
3036	Party name	M	an..35	M	an..35	
3036	Party name	C	an..35	O	an..35	see 3036 # 1
3036	Party name		an..35	N		Not used
3036	Party name		an..35	N		Not used
3036	Party name		an..35	N		Not used
3045	Party name format code		an..3	N		Not used
C059	Street	C		O		
3042	Street and number or post office box identifier	M	an..35	M	an..35	
3042	Street and number or post office box identifier	C	an..35	O	an..35	see 3042 # 1
3042	Street and number or post office box identifier		an..35	N		Not used
3042	Street and number or post office box identifier		an..35	N		Not used
3164	City name	C	an..35	O	an..35	
C819	Country sub-entity details			N		
3229	Country sub-entity name code		an..9	N		Not used
1131	Code list identification code		an..17	N		Not used
3055	Code list responsible agency		an..3	N		Not used

MaxOcc = Maximum occurrence of the segment/group; St = Status: M=Mandatory, C=Conditional, R=Required, O=Optional, D=Dependent, A=Advised, N=Not used

EDIFACT			vitesco		
Tag	Name	St Format	St	Format	Usage / Remark
	code				
3228	Country sub-entity name	an..70	N		Not used
3251	Postal identification code	C an..9	O	an..9	
3207	Country name code	C an..3	O	an..3	

Remark:

Example: NAD+BY+321456:::91++Name1:Name2+Street1:Street2++++DE'

3. SEGMENTS

Tag	St	MaxOcc	Name
SG2	O	1	Internal account number
RFF	M	1	Internal account number

EDIFACT			vitesco		
Tag	Name	St Format	St	Format	Usage / Remark
C506	Reference	M	M		
1153	Reference code qualifier	M an..3	M	an..3	ADE Account number
1154	Reference identifier	C an..35	R	an..35	
1156	Document line identifier	an..6	N		Not used
4000	Reference version identifier	an..35	N		Not used
1060	Revision identifier	an..6	N		Not used

Remark:

Example: RFF+ADE:123ABC'

MaxOcc = Maximum occurrence of the segment/group; St = Status: M=Mandatory, C=Conditional, R=Required, O=Optional, D=Dependent, A=Advised, N=Not used

3. SEGMENTS

Tag	St	MaxOcc	Name			
SG3	O	1	Information contact			
CTA	M	1	Information contact			
EDIFACT			vitesco			
Tag	Name	St	Format	St	Format	Usage / Remark
3139	Contact function code	C	an..3	R	an..3	IC Information contact
C056	Department or employee details	C		R		
3413	Department or employee name code	C	an..17	O	an..17	
3412	Department or employee name	C	an..35	O	an..35	

Remark:

Example: CTA+IC+:Meier'

MaxOcc = Maximum occurrence of the segment/group; St = Status: M=Mandatory, C=Conditional, R=Required, O=Optional, D=Dependent, A=Advised, N=Not used

3. SEGMENTS

Tag	St	MaxOcc	Name
SG3	O	1	Information contact
COM	O	5	Communication means
EDIFACT			vitesco
Tag	Name	St Format	St Format Usage / Remark
C076	Communication contact	M	M
3148	Communication address identifier	M an..100	M an..100
3155	Communication address code qualifier	M an..3	M an..3
			TE Telephone EX Extension FX Telefax EM Electronic mail IM Internal mail

Remark:

Example: COM+001 248 324588:TE'

3. SEGMENTS

Tag	St	MaxOcc	Name
SG3	O	1	Accounting contact
CTA	M	1	Contact information
		EDIFACT	vitesco
Tag	Name	St Format	St Format Usage / Remark
3139	Contact function code	C an..3	R an..3 AD Accounting contact
C056	Department or employee details	C	R
3413	Department or employee name code	C an..17	O an..17
3412	Department or employee name	C an..35	O an..35

Remark:

Example: CTA+AD+:A. Brunetti'

MaxOcc = Maximum occurrence of the segment/group; St = Status: M=Mandatory, C=Conditional, R=Required, O=Optional, D=Dependent, A=Advised, N=Not used

3. SEGMENTS

Tag	St	MaxOcc	Name	
SG3	O	1	Accounting contact	
COM	C	5	Communication means	
EDIFACT			vitesco	
Tag	Name	St Format	St Format	Usage / Remark
C076	Communication contact	M	M	
3148	Communication address identifier	M an..100	M an..100	
3155	Communication address code qualifier	M an..3	M an..3	TE Telephone EX Extension FX Telefax EM Electronic mail IM Internal mail

Remark:

Example: COM+X:TE'

3. SEGMENTS

Tag	St	MaxOcc	Name			
SG1	R	1	Seller Party			
NAD	M	1	Name and address			
			EDIFACT	vitesco		
Tag	Name	St	Format	St	Format	Usage / Remark
3035	Party function code qualifier	M	an..3	M	an..3	SE Seller
C082	Party identification details	C		R		
3039	Party identifier	M	an..35	R	an..35	
1131	Code list identification code		an..17	N		Not used
3055	Code list responsible agency code	C	an..3	R	an..3	92 Assigned by buyer or buyer's agent
C058	Name and address			N		
3124	Name and address description		an..35	N		Not used
3124	Name and address description		an..35	N		Not used
3124	Name and address description		an..35	N		Not used
3124	Name and address description		an..35	N		Not used
3124	Name and address description		an..35	N		Not used
C080	Party name	C		O		
3036	Party name	M	an..35	M	an..35	
3036	Party name	C	an..35	O	an..35	see 3036 # 1
3036	Party name		an..35	N		Not used
3036	Party name		an..35	N		Not used
3036	Party name		an..35	N		Not used
3045	Party name format code		an..3	N		Not used
C059	Street	C		O		
3042	Street and number or post office box identifier	M	an..35	M	an..35	
3042	Street and number or post office box identifier	C	an..35	O	an..35	see 3042 # 1
3042	Street and number or post office box identifier		an..35	N		Not used
3042	Street and number or post office box identifier		an..35	N		Not used
3164	City name	C	an..35	O	an..35	
C819	Country sub-entity details			N		
3229	Country sub-entity name code		an..9	N		Not used
1131	Code list identification code		an..17	N		Not used
3055	Code list responsible agency		an..3	N		Not used

MaxOcc = Maximum occurrence of the segment/group; St = Status: M=Mandatory, C=Conditional, R=Required, O=Optional, D=Dependent, A=Advised, N=Not used

EDIFACT			vitesco		
Tag	Name	St Format	St	Format	Usage / Remark
	code				
3228	Country sub-entity name	an..70	N		Not used
3251	Postal identification code	C an..9	O	an..9	
3207	Country name code	C an..3	O	an..3	

Remark:

Example: NAD+SE+123ABC:::92++X:X+X:X+X++X+AD'

MaxOcc = Maximum occurrence of the segment/group; St = Status: M=Mandatory, C=Conditional, R=Required, O=Optional, D=Dependent, A=Advised, N=Not used

3. SEGMENTS

Tag	St	MaxOcc	Name			
SG2	O	1	Internal account number			
RFF	M	1	Internal account number			
EDIFACT			vitesco			
Tag	Name	St	Format	St	Format	Usage / Remark
C506	Reference	M		M		
1153	Reference code qualifier	M	an..3	M	an..3	ADE Account number
1154	Reference identifier	C	an..35	R	an..35	
1156	Document line identifier		an..6	N		Not used
4000	Reference version identifier		an..35	N		Not used
1060	Revision identifier		an..6	N		Not used

Remark:

Example: RFF+ADE:98765'

MaxOcc = Maximum occurrence of the segment/group; St = Status: M=Mandatory, C=Conditional, R=Required, O=Optional, D=Dependent, A=Advised, N=Not used

3. SEGMENTS

Tag	St	MaxOcc	Name
SG3	O	1	Information contact
CTA	M	1	Information contact
EDIFACT		vitesco	
Tag	Name	St Format	St Format Usage / Remark
3139	Contact function code	C an..3	R an..3 IC Information contact
C056	Department or employee details	C	R
3413	Department or employee name code	C an..17	O an..17
3412	Department or employee name	C an..35	O an..35

Remark:

Example: CTA+IC+:M. Miller'

MaxOcc = Maximum occurrence of the segment/group; St = Status: M=Mandatory, C=Conditional, R=Required, O=Optional, D=Dependent, A=Advised, N=Not used

3. SEGMENTS

Tag	St	MaxOcc	Name	
SG3	O	1	Information contact	
COM	O	5	Communication means	
EDIFACT			vitesco	
Tag	Name	St Format	St Format	Usage / Remark
C076	Communication contact	M	M	
3148	Communication address identifier	M an..100	M an..100	
3155	Communication address code qualifier	M an..3	M an..3	TE Telephone EX Extension FX Telefax EM Electronic mail IM Internal mail

Remark:

Example: COM+0049 30 97991433:FX'

3. SEGMENTS

Tag	St	MaxOcc	Name
SG3	O	1	Accounting contact
CTA	M	1	Contact information

EDIFACT			vitesco		
Tag	Name	St Format	St	Format	Usage / Remark
3139	Contact function code	C an..3	R	an..3	AD Accounting contact
C056	Department or employee details	C	R		
3413	Department or employee name code	C an..17	O	an..17	
3412	Department or employee name	C an..35	O	an..35	

Remark:

Example: CTA+AD+:B. Lee '

MaxOcc = Maximum occurrence of the segment/group; St = Status: M=Mandatory, C=Conditional, R=Required, O=Optional, D=Dependent, A=Advised, N=Not used

3. SEGMENTS

Tag	St	MaxOcc	Name
SG3	O	1	Accounting contact
COM	O	5	Communication means
EDIFACT			vitesco
Tag	Name	St Format	St Format Usage / Remark
C076	Communication contact	M	M
3148	Communication address identifier	M an..100	M an..100
3155	Communication address code qualifier	M an..3	M an..3
			TE Telephone FX Telefax EM Electronic mail IM Internal mail EX Extension

Remark:

Example: COM+accounts@sales.com:EM'

MaxOcc = Maximum occurrence of the segment/group; St = Status: M=Mandatory, C=Conditional, R=Required, O=Optional, D=Dependent, A=Advised, N=Not used

3. SEGMENTS

Tag	St	MaxOcc	Name			
SG1	D	1	Payee Party			
NAD	M	1	Name and address			
			EDIFACT	vitesco		
Tag	Name	St	Format	St	Format	Usage / Remark
3035	Party function code qualifier	M	an..3	M	an..3	PE Payee
C082	Party identification details	C		O		
3039	Party identifier	M	an..35	R	an..35	
1131	Code list identification code		an..17	N		Not used
3055	Code list responsible agency code	C	an..3	R	an..3	16 US, D&B (Dun & Bradstreet Corporation) 91 Assigned by seller or seller's agent 92 Assigned by buyer or buyer's agent 289 JP,JIPDEC/ECPC (Japan Information Processing Development Center / Electronic Commerce Promotion Center)
C058	Name and address			N		
3124	Name and address description		an..35	N		Not used
3124	Name and address description		an..35	N		Not used
3124	Name and address description		an..35	N		Not used
3124	Name and address description		an..35	N		Not used
3124	Name and address description		an..35	N		Not used
C080	Party name	C		O		
3036	Party name	M	an..35	M	an..35	
3036	Party name	C	an..35	O	an..35	see 3036 # 1
3036	Party name		an..35	N		Not used
3036	Party name		an..35	N		Not used
3036	Party name		an..35	N		Not used
3045	Party name format code		an..3	N		Not used
C059	Street	C		O		
3042	Street and number or post office box identifier	M	an..35	M	an..35	
3042	Street and number or post office box identifier	C	an..35	O	an..35	see 3042 # 1
3042	Street and number or post office box identifier		an..35	N		Not used
3042	Street and number or post office box identifier		an..35	N		Not used
3164	City name	C	an..35	O	an..35	

MaxOcc = Maximum occurrence of the segment/group; St = Status: M=Mandatory, C=Conditional, R=Required, O=Optional, D=Dependent, A=Advised, N=Not used

EDIFACT			vitesco		
Tag	Name	St Format	St	Format	Usage / Remark
C819	Country sub-entity details		N		
3229	Country sub-entity name code	an..9	N		Not used
1131	Code list identification code	an..17	N		Not used
3055	Code list responsible agency code	an..3	N		Not used
3228	Country sub-entity name	an..70	N		Not used
3251	Postal identification code	C an..17	O	an..17	
3207	Country name code	C an..3	O	an..3	

Remark:

Example: NAD+PE+123ABC:::92++Name1:Name2+Street1:Street2+City++12345+DE'

3. SEGMENTS

Tag	St	MaxOcc	Name
SG2	O	1	Internal account number
RFF	M	1	Internal account number

EDIFACT			vitesco		
Tag	Name	St Format	St	Format	Usage / Remark
C506	Reference	M	M		
1153	Reference code qualifier	M an..3	M	an..3	ADE Account number
1154	Reference identifier	C an..35	R	an..35	
1156	Document line identifier	an..6	N		Not used
4000	Reference version identifier	an..35	N		Not used
1060	Revision identifier	an..6	N		Not used

Remark:

Example: RFF+ADE:98765'

MaxOcc = Maximum occurrence of the segment/group; St = Status: M=Mandatory, C=Conditional, R=Required, O=Optional, D=Dependent, A=Advised, N=Not used

3. SEGMENTS

Tag	St	MaxOcc	Name
SG3	O	1	Information contact
CTA	M	1	Information contact
EDIFACT		vitesco	
Tag	Name	St Format	St Format Usage / Remark
3139	Contact function code	C an..3	R an..3 IC Information contact
C056	Department or employee details	C	R
3413	Department or employee name code	C an..17	O an..17
3412	Department or employee name	C an..35	O an..35

Remark:

Example: CTA+IC+:Eric Smith'

MaxOcc = Maximum occurrence of the segment/group; St = Status: M=Mandatory, C=Conditional, R=Required, O=Optional, D=Dependent, A=Advised, N=Not used

3. SEGMENTS

Tag	St	MaxOcc	Name
SG3	O	1	Information contact
COM	O	5	Communication means
EDIFACT			vitesco
Tag	Name	St Format	St Format Usage / Remark
C076	Communication contact	M	M
3148	Communication address identifier	M an..100	R an..100
3155	Communication address code qualifier	M an..3	M an..3
			TE Telephone EX Extension FX Telefax EM Electronic mail IM Internal mail

Remark:

Example: COM+0044123456677:TE'

MaxOcc = Maximum occurrence of the segment/group; St = Status: M=Mandatory, C=Conditional, R=Required, O=Optional, D=Dependent, A=Advised, N=Not used

3. SEGMENTS

Tag	St	MaxOcc	Name			
SG1	D	1	Payor Party			
NAD	M	1	Name and address			
EDIFACT			vitesco			
Tag	Name	St	Format	St	Format	Usage / Remark
3035	Party function code qualifier	M	an..3	M	an..3	PL
C082	Party identification details	C		O		
3039	Party identifier	M	an..35	M	an..35	
1131	Code list identification code		an..17	N		Not used
3055	Code list responsible agency code	C	an..3	R	an..3	16 US, D&B (Dun & Bradstreet Corporation) 91 Assigned by seller or seller's agent 92 Assigned by buyer or buyer's agent 289 JP,JIPDEC/ECPC (Japan Information Processing Development Center / Electronic Commerce Promotion Center)
C058	Name and address			N		
3124	Name and address description		an..35	N		Not used
3124	Name and address description		an..35	N		Not used
3124	Name and address description		an..35	N		Not used
3124	Name and address description		an..35	N		Not used
3124	Name and address description		an..35	N		Not used
C080	Party name	C		O		
3036	Party name	M	an..35	M	an..35	see 3124 # 1
3036	Party name	C	an..35	O	an..35	see 3124 # 1
3036	Party name		an..35	N		Not used
3036	Party name		an..35	N		Not used
3036	Party name		an..35	N		Not used
3045	Party name format code		an..3	N		Not used
C059	Street	C		O		
3042	Street and number or post office box identifier	M	an..35	M	an..35	
3042	Street and number or post office box identifier	C	an..35	O	an..35	see 3124 # 1
3042	Street and number or post office box identifier		an..35	N		Not used
3042	Street and number or post office box identifier		an..35	N		Not used
3164	City name	C	an..35	O	an..35	

MaxOcc = Maximum occurrence of the segment/group; St = Status: M=Mandatory, C=Conditional, R=Required, O=Optional, D=Dependent, A=Advised, N=Not used

EDIFACT			vitesco		
Tag	Name	St Format	St	Format	Usage / Remark
C819	Country sub-entity details		N		
3229	Country sub-entity name code	C an..9	O	an..9	see 3036 # 1
1131	Code list identification code	an..17	N		Not used
3055	Code list responsible agency code	an..3	N		Not used
3228	Country sub-entity name	an..70	N		Not used
3251	Postal identification code	C an..17	O	an..17	
3207	Country name code	C an..3	O	an..3	

Remark:

Example: NAD+PL+123ABC:::92++Name1:Name2+Street1:Street2+City++12345+DE'

3. SEGMENTS

Tag	St	MaxOcc	Name			
SG2	O	1	Internal account number			
RFF	M	1	Internal account ID			
			EDIFACT	vitesco		
Tag	Name	St	Format	St	Format	Usage / Remark
C506	Reference	M		M		
1153	Reference code qualifier	M	an..3	M	an..3	ADE Account number
1154	Reference identifier	C	an..35	R	an..35	
1156	Document line identifier		an..6	N		Not used
4000	Reference version identifier		an..35	N		Not used
1060	Revision identifier		an..6	N		Not used

Remark:

Example: RFF+ADE:44332'

3. SEGMENTS

Tag	St	MaxOcc	Name
SG3	O	1	Information contact
CTA	M	1	Information contact

EDIFACT			vitesco		
Tag	Name	St Format	St	Format	Usage / Remark
3139	Contact function code	C an..3	C	an..3	IC Information contact
C056	Department or employee details	C	R		
3413	Department or employee name code	C an..17	O	an..17	
3412	Department or employee name	C an..35	O	an..35	

Remark:

Example: CTA+IC+:E.T. Hoffmann'

MaxOcc = Maximum occurrence of the segment/group; St = Status: M=Mandatory, C=Conditional, R=Required, O=Optional, D=Dependent, A=Advised, N=Not used

3. SEGMENTS

Tag	St	MaxOcc	Name			
SG3	O	1	Information contact			
COM	O	5	Communication means			
EDIFACT		vitesco				
Tag	Name	St	Format	St	Format	Usage / Remark
C076	Communication contact	M		M		
3148	Communication address identifier	M	an..100	R	an..100	
3155	Communication address code qualifier	M	an..3	M	an..3	TE Telephone EX Extension FX Telefax EM Electronic mail IM Internal mail

Remark:

Example: COM+001 248 343434:FX'

3. SEGMENTS

Tag	St	MaxOcc	Name			
SG4	R	1	Payment currency			
CUX	M	1	Currencies			
			EDIFACT	vitesco		
Tag	Name	St	Format	St	Format	Usage / Remark
C504	Currency details		C	R		
6347	Currency usage code qualifier	M	an..3	M	an..3	2 Reference currency
6345	Currency identification code	C	an..3	R	an..3	
6343	Currency type code qualifier	C	an..3	O	an..3	11 Payment currency
6348	Currency rate		n..4	N		Not used
C504	Currency details			N		
6347	Currency usage code qualifier		an..3	N		Not used
6345	Currency identification code		an..3	N		Not used
6343	Currency type code qualifier		an..3	N		Not used
6348	Currency rate		n..4	N		Not used
5402	Currency exchange rate		n..12	N		Not used
6341	Exchange rate currency market identifier		an..3	N		Not used

Remark:

Example: CUX+2:EUR:11'

3. SEGMENTS

Tag	St	MaxOcc	Name			
SG5	R	999999	Covered accounting documents			
DOC	M	1	Document/message details			
			EDIFACT	vitesco		
Tag	Name	St	Format	St	Format	Usage / Remark
C002	Document/message name	M		M		
1001	Document name code	C	an..3	R	an..3	380 Commercial invoice 381 Credit note 389 Self-billed invoice
1131	Code list identification code		an..17	N		Not used
3055	Code list responsible agency code	C	an..3	R	an..3	6 UN/ECE (United Nations - Economic Commission for Europe)
1000	Document name		an..35	N		Not used
C503	Document/message details	C		O		
1004	Document identifier	C	an..35	R	an..35	
1373	Document status code		an..3	N		Not used
1366	Document source description	C	an..70	O	an..70	'Seller' or 'Buyer'
3453	Language name code		an..3	N		Not used
1056	Version identifier		an..9	N		Not used
1060	Revision identifier		an..6	N		Not used
3153	Communication medium type code		an..3	N		Not used
1220	Document copies required quantity		n..2	N		Not used
1218	Document originals required quantity		n..2	N		Not used

Remark:

Example: DOC+380::6+2004/0098::Seller'

MaxOcc = Maximum occurrence of the segment/group; St = Status: M=Mandatory, C=Conditional, R=Required, O=Optional, D=Dependent, A=Advised, N=Not used

3. SEGMENTS

Tag	St	MaxOcc	Name	
SG5	R	999999	Covered accounting documents	
MOA	R	1	Payment amount	
EDIFACT			vitesco	
Tag	Name	St Format	St Format	Usage / Remark
C516	Monetary amount	M	M	
5025	Monetary amount type code qualifier	M an..3	M an..3	340 Original total net invoice value
5004	Monetary amount	C n..15	R n..15	
6345	Currency identification code	C an..3	O an..3	
6343	Currency type code qualifier	an..3	N	Not used
4405	Status description code	an..3	N	Not used

Remark:

Example: MOA+340:900:USD'

MaxOcc = Maximum occurrence of the segment/group; St = Status: M=Mandatory, C=Conditional, R=Required, O=Optional, D=Dependent, A=Advised, N=Not used

3. SEGMENTS

Tag	St	MaxOcc	Name	
SG5	R	999999	Covered accounting documents	
MOA	O	1	Original amount / Gross amount	
EDIFACT			vitesco	
Tag	Name	St Format	St Format Usage / Remark	
C516	Monetary amount	M	M	
5025	Monetary amount type code qualifier	M an..3	M an..3	339 Original invoice gross total value
5004	Monetary amount	C n..15	R n..15	
6345	Currency identification code	C an..3	O an..3	
6343	Currency type code qualifier	an..3	N	Not used
4405	Status description code	an..3	N	Not used

Remark:

Example: MOA+339:900:USD'

MaxOcc = Maximum occurrence of the segment/group; St = Status: M=Mandatory, C=Conditional, R=Required, O=Optional, D=Dependent, A=Advised, N=Not used

3. SEGMENTS

Tag	St	MaxOcc	Name
SG5	R	999999	Covered accounting documents
MOA	O	1	Payment discount amount

EDIFACT			vitesco		
Tag	Name	St Format	St	Format	Usage / Remark
C516	Monetary amount	M	M		
5025	Monetary amount type code qualifier	M an..3	M	an..3	52 Discount amount
5004	Monetary amount	C n..15	R	n..15	
6345	Currency identification code	C an..3	O	an..3	
6343	Currency type code qualifier	an..3	N		Not used
4405	Status description code	an..3	N		Not used

Remark:

Example: MOA+52:18:USD'

MaxOcc = Maximum occurrence of the segment/group; St = Status: M=Mandatory, C=Conditional, R=Required, O=Optional, D=Dependent, A=Advised, N=Not used

3. SEGMENTS

Tag	St	MaxOcc	Name	
SG5	R	999999	Covered accounting documents	
MOA	O	5	Other amounts	
EDIFACT		vitesco		
Tag	Name	St Format	St Format	Usage / Remark
C516	Monetary amount	M	M	
5025	Monetary amount type code qualifier	M an..3	M an..3	5 Adjusted amount 11 Amount paid 53 Discount amount due 77 Invoice line item amount 98 Original amount 129 Total amount subject to payment discount 165 Adjustment amount
5004	Monetary amount	C n..35	R n..35	
6345	Currency identification code	C an..3	O an..3	
6343	Currency type code qualifier	an..3	N	Not used
4405	Status description code	an..3	N	Not used

Remark:

Example: MOA+129:900:USD'

MaxOcc = Maximum occurrence of the segment/group; St = Status: M=Mandatory, C=Conditional, R=Required, O=Optional, D=Dependent, A=Advised, N=Not used

3. SEGMENTS

Tag	St	MaxOcc	Name	
SG5	R	999999	Covered accounting documents	
DTM	O	1	Issuer's document date	
		EDIFACT	vitesco	
Tag	Name	St Format	St Format Usage / Remark	
C507	Date/time/period	M	M	
2005	Date or time or period function code qualifier	M an..3	M an..3	137 Document issue date time
2380	Date or time or period text	C n..14	R n..14	
2379	Date or time or period format code	C an..3	R an..3	102 CCYYMMDD

Remark:

Example: DTM+137:20041202:102'

MaxOcc = Maximum occurrence of the segment/group; St = Status: M=Mandatory, C=Conditional, R=Required, O=Optional, D=Dependent, A=Advised, N=Not used

3. SEGMENTS

Tag	St	MaxOcc	Name	
SG5	R	999999	Covered accounting documents	
DTM	O	1	Shipment Date	
EDIFACT		vitesco		
Tag	Name	St Format	St Format Usage / Remark	
C507	Date/time/period	M	M	
2005	Date or time or period function code qualifier	M an..3	M an..3	10 Shipment date/time, requested
2380	Date or time or period text	C n..14	R n..14	
2379	Date or time or period format code	C an..3	O an..3	102 CCYYMMDD 204 CCYYMMDDHHMMSS

Remark:

Example: DTM+10:20041110:102'

MaxOcc = Maximum occurrence of the segment/group; St = Status: M=Mandatory, C=Conditional, R=Required, O=Optional, D=Dependent, A=Advised, N=Not used

3. SEGMENTS

Tag	St	MaxOcc	Name			
SG5	R	999999	Covered accounting documents			
DTM	O	5	Receiving Date			
EDIFACT			vitesco			
Tag	Name	St	Format	St	Format	Usage / Remark
C507	Date/time/period	M		M		
2005	Date or time or period function code qualifier	M	an..3	M	an..3	310 Received date/time 55 Confirmed date/time
2380	Date or time or period text	C	n..14	R	n..14	
2379	Date or time or period format code	C	an..3	O	an..3	102 CCYMMDD 204 CCYMMDDHHMMSS

Remark:

Example: DTM+310:20041111:102'

MaxOcc = Maximum occurrence of the segment/group; St = Status: M=Mandatory, C=Conditional, R=Required, O=Optional, D=Dependent, A=Advised, N=Not used

3. SEGMENTS

Tag	St	MaxOcc	Name	
SG5	R	999999	Covered accounting documents	
DTM	O	5	Other reference dates	
EDIFACT		vitesco		
Tag	Name	St Format	St Format Usage / Remark	
C507	Date/time/period	M	M	
2005	Date or time or period function code qualifier	M an..3	M an..3	3 Invoice document issue date time 11 Despatch date and or time 20 Cheque date/time 55 Confirmed date/time 182 Issue date 310 Received date/time
2380	Date or time or period text	C an..35	R an..35	Reference date
2379	Date or time or period format code	C an..3	C an..3	102 CCYYMMDD 203 CCYYMMDDHHMM

Remark:

Example: DTM+11:20041110:102'

MaxOcc = Maximum occurrence of the segment/group; St = Status: M=Mandatory, C=Conditional, R=Required, O=Optional, D=Dependent, A=Advised, N=Not used

3. SEGMENTS

Tag	St	MaxOcc	Name			
SG5	R	999999	Covered accounting documents			
RFF	O	1	Buyer's Transaction Identification (Scan code)			
EDIFACT			vitesco			
Tag	Name	St	Format	St	Format	Usage / Remark
C506	Reference	M		M		
1153	Reference code qualifier	M	an..3	M	an..3	AIJ Customer's individual transaction reference number
1154	Reference identifier	C	an..17	R	an..17	
1156	Document line identifier		an..6	N		Not used
4000	Reference version identifier		an..35	N		Not used
1060	Revision identifier		an..6	N		Not used

Remark:

Example: RFF+AIJ:ACC3321'

MaxOcc = Maximum occurrence of the segment/group; St = Status: M=Mandatory, C=Conditional, R=Required, O=Optional, D=Dependent, A=Advised, N=Not used

3. SEGMENTS

Tag	St	MaxOcc	Name	
SG5	R	999999	Covered accounting documents	
RFF	O	1	Buyer's booking ID	
		EDIFACT	vitesco	
Tag	Name	St Format	St Format	Usage / Remark
C506	Reference	M	M	
1153	Reference code qualifier	M an..3	M an..3	AV Account payable number
1154	Reference identifier	C an..17	R an..17	
1156	Document line identifier	an..6	N	Not used
4000	Reference version identifier	an..35	N	Not used
1060	Revision identifier	an..6	N	Not used

Remark:

Example: RFF+AV:XX-2004-12-01-877'

3. SEGMENTS

Tag	St	MaxOcc	Name
SG5	R	999999	Covered accounting documents
RFF	O	1	Buyer's sub entity description

EDIFACT			vitesco		
Tag	Name	St Format	St	Format	Usage / Remark
C506	Reference	M	M		
1153	Reference code qualifier	M an..3	M	an..3	PE Plant number
1154	Reference identifier	C an..70	R	an..70	
1156	Document line identifier	an..6	N		Not used
4000	Reference version identifier	an..35	N		Not used
1060	Revision identifier	an..6	N		Not used

Remark:

Example: RFF+PE:Plant ABC'

3. SEGMENTS

Tag	St	MaxOcc	Name	
SG5	R	999999	Covered accounting documents	
RFF	O	5	Other reference	
EDIFACT		vitesco		
Tag	Name	St Format	St Format Usage / Remark	
C506	Reference	M	M	
1153	Reference code qualifier	M an..3	M an..3	BM Bill of lading number CR Customer reference number ET Excess transportation number FN Freight bill number IV Invoice document identifier ON Order document identifier, buyer assigned PK Packing list number PS Purchase order number suffix RE Release number SI SID (Shipper's identifying number for shipment)
1154	Reference identifier	C an..17	R an..17	
1156	Document line identifier	C an..6	O an..6	
4000	Reference version identifier	an..35	N	Not used
1060	Revision identifier	an..6	N	Not used

Remark:

Example: RFF+BM:123-123:020'

MaxOcc = Maximum occurrence of the segment/group; St = Status: M=Mandatory, C=Conditional, R=Required, O=Optional, D=Dependent, A=Advised, N=Not used

3. SEGMENTS

Tag	St	MaxOcc	Name		
SG9	O	5	Payment information text		
INP	M	1	Parties and instruction		
EDIFACT			vitesco		
Tag	Name	St Format	St	Format	Usage / Remark
C849	Parties to instruction	C	C		
3301	Enacting party identifier	M an..35	M	an..35	5 Seller
3285	Instruction receiving party identifier	an..35	N		Not used
C522	Instruction	C	C		
4403	Instruction type code qualifier	M an..3	M	an..3	2 Party instructions
4401	Instruction description code	an..3	N		Not used
1131	Code list identification code	an..17	N		Not used
3055	Code list responsible agency code	an..3	N		Not used
4400	Instruction description	an..35	N		Not used
C850	Status of instruction		N		
4405	Status description code	an..3	N		Not used
3036	Party name	an..35	N		Not used
1229	Action request/notification description code	an..3	N		Not used

Remark:

This segment is only a trigger for the following FTX segment

Example: INP+5+2'

3. SEGMENTS

Tag	St	MaxOcc	Name
SG9	O	5	Payment information text
FTX	O	5	Free text
EDIFACT			vitesco
Tag	Name	St Format	St Format Usage / Remark
4451	Text subject code qualifier	M an..3	M an..3 PAY Payables information PMD Payment detail/remittance information
4453	Free text function code	an..3	N Not used
C107	Text reference		N
4441	Free text description code	an..17	N Not used
1131	Code list identification code	an..17	N Not used
3055	Code list responsible agency code	an..3	N Not used
C108	Text literal	C	R
4440	Free text	M an..256	M an..256
4440	Free text	C an..256	O an..256 See 4440 #1
4440	Free text	C an..256	O an..256 See 4440 #1
4440	Free text	C an..256	O an..256 See 4440 #1
4440	Free text	C an..256	O an..256 See 4440 #1
3453	Language name code	C an..3	O an..3
4447	Free text format code	an..3	N Not used

Remark:

Example: FTX+PMD+++Payment text :::Payment text+en'

MaxOcc = Maximum occurrence of the segment/group; St = Status: M=Mandatory, C=Conditional, R=Required, O=Optional, D=Dependent, A=Advised, N=Not used

3. SEGMENTS

Tag	St	MaxOcc	Name			
SG10	O	9999	Line item reference			
DLI	M	1	Document line identification			
EDIFACT		vitesco				
Tag	Name	St	Format	St	Format	Usage / Remark
1073	Document line action code	M	an..3	M	an..3	1 Included in document/transaction
1082	Line item identifier	M	an..6	M	an..6	

Remark:

This line item reference is related to the document identified in DOC segment.

Example: DLI+1+000400'

MaxOcc = Maximum occurrence of the segment/group; St = Status: M=Mandatory, C=Conditional, R=Required, O=Optional, D=Dependent, A=Advised, N=Not used

3. SEGMENTS

Tag	St	MaxOcc	Name			
SG10	O	9999	Line item reference			
PIA	O	5	Additional product id			
			EDIFACT	vitesco		
Tag	Name	St	Format	St	Format	Usage / Remark
4347	Product identifier code qualifier	M	an..3	M	an..3	1 Additional identification 5 Product identification
C212	Item number identification	M		M		
7140	Item identifier	C	an..35	R	an..35	
7143	Item type identification code	C	an..3	R	an..3	AB Assembly MF Manufacturer's (producer's) article number PL Purchaser's order line number PO Purchase order number IN Buyer's item number
1131	Code list identification code		an..17	N		Not used
3055	Code list responsible agency code		an..3	N		Not used
C212	Item number identification	C		O		
7140	Item identifier	C	an..35	R	an..35	
7143	Item type identification code	C	an..3	R	an..3	AB Assembly BP Buyer's part number MF Manufacturer's (producer's) article number PL Purchaser's order line number PO Purchase order number
1131	Code list identification code		an..17	N		Not used
3055	Code list responsible agency code		an..3	N		Not used
C212	Item number identification	C		O		
7140	Item identifier	C	an..35	R	an..35	
7143	Item type identification code	C	an..3	R	an..3	AB Assembly BP Buyer's part number MF Manufacturer's (producer's) article number PL Purchaser's order line number PO Purchase order number
1131	Code list identification code		an..17	N		Not used
3055	Code list responsible agency code		an..3	N		Not used
C212	Item number identification	C		O		

MaxOcc = Maximum occurrence of the segment/group; St = Status: M=Mandatory, C=Conditional, R=Required, O=Optional, D=Dependent, A=Advised, N=Not used

EDIFACT			vitesco		
Tag	Name	St Format	St	Format	Usage / Remark
7140	Item identifier	C an..35	R	an..35	
7143	Item type identification code	C an..3	R	an..3	AB Assembly BP Buyer's part number MF Manufacturer's (producer's) article number PL Purchaser's order line number PO Purchase order number
1131	Code list identification code	an..17	N		Not used
3055	Code list responsible agency code	an..3	N		Not used
C212	Item number identification	C	O		
7140	Item identifier	C an..35	R	an..35	
7143	Item type identification code	C an..3	R	an..3	AB Assembly BP Buyer's part number MF Manufacturer's (producer's) article number PL Purchaser's order line number PO Purchase order number
1131	Code list identification code	an..17	N		Not used
3055	Code list responsible agency code	an..3	N		Not used

Remark:

Only to be used if there was no Invoice document issued between shipment notice (DESADV) and remittance advice.

Example: PIA+1+XZ-1324:IN+123-444:AB+99887766:MF+030:PL+2004-1654:PO'

3. SEGMENTS

Tag	St	MaxOcc	Name	
UNS	M	1	Section control	
EDIFACT		vitesco		
Tag	Name	St Format	St Format	Usage / Remark
0081	Section identification	M a1	M a1	S Detail/summary section separation

Remark:

Example: UNS+S'

3. SEGMENTS

Tag	St	MaxOcc	Name			
MOA	M	1	Total payment amount			
EDIFACT			vitesco			
Tag	Name	St	Format	St	Format	Usage / Remark
C516	Monetary amount	M		M		
5025	Monetary amount type code qualifier	M	an..3	M	an..3	12 Amount remitted
5004	Monetary amount	C	n..15	R	n..15	
6345	Currency identification code	C	an..3	O	an..3	
6343	Currency type code qualifier		an..3	N		Not used
4405	Status description code		an..3	N		Not used

Remark:

Example: MOA+12:900:USD'

3. SEGMENTS

Tag	St	MaxOcc	Name	
MOA	O	1	Total discount amount	
		EDIFACT	vitesco	
Tag	Name	St Format	St Format	Usage / Remark
C516	Monetary amount	M	M	
5025	Monetary amount type code qualifier	M an..3	M an..3	138 Total monetary discount amount
5004	Monetary amount	C n..15	R n..15	
6345	Currency identification code	C an..3	O an..3	
6343	Currency type code qualifier	an..3	N	Not used
4405	Status description code	an..3	N	Not used

Remark:

Example: MOA+138:18:USD'

MaxOcc = Maximum occurrence of the segment/group; St = Status: M=Mandatory, C=Conditional, R=Required, O=Optional, D=Dependent, A=Advised, N=Not used

3. SEGMENTS

Tag	St	MaxOcc	Name			
MOA	O	1	Original amount			
			EDIFACT	vitesco		
Tag	Name	St	Format	St	Format	Usage / Remark
C516	Monetary amount	M		M		
5025	Monetary amount type code qualifier	M	an..3	M	an..3	98 Original amount
5004	Monetary amount	C	n..15	R	n..15	
6345	Currency identification code	C	an..3	O	an..3	
6343	Currency type code qualifier		an..3	N		Not used
4405	Status description code		an..3	N		Not used

Remark:

Example: MOA+98:900:USD'

3. SEGMENTS

Tag	St	MaxOcc	Name			
UNT	M	1	Message trailer			
EDIFACT		vitesco				
Tag	Name	St	Format	St	Format	Usage / Remark
0074	Number of segments in the message	M	n..6	M	n..6	
0062	Message reference number	M	an..14	M	an..14	

Remark:

Example: UNT+50+1'

MaxOcc = Maximum occurrence of the segment/group; St = Status: M=Mandatory, C=Conditional, R=Required, O=Optional, D=Dependent, A=Advised, N=Not used

3. SEGMENTS

Tag	St	MaxOcc	Name			
UNZ	M	1	Interchange trailer			
EDIFACT		vitesco				
Tag	Name	St	Format	St	Format	Usage / Remark
0036	Interchange control count	M	n..6	M	n..6	
0020	Interchange control reference	M	an..14	M	an..14	Repetition of the value transmitted in UNB data element 0020.

Remark:

Example: UNZ+1+144659'

4. EXAMPLE MESSAGE

No	Tag	Example
01	UNA	UNA:+.? '
02	UNB	UNB+UNOC:3+OD012345:59:123+987654321:1:X+071205:1446+144659+++++1'
03	UNH	UNH+1+REMADV:D:04A:UN:GMI041'
04	BGM	BGM+481::6+2004-02:1:0+9'
05	DTM	DTM+137:20041001:102'
06	DTM	DTM+138:20041005:102'
07	RFF	RFF+PQ:20040101-222'
08	FII	FII+SE+588382800:Wholesale Inc.+DECIBA:150:114::::Detroit City Bank'
09	PAI	PAI+::20::6'
	SG1	
10	NAD	NAD+BY+321456::91++Name1:Name2+Street1:Street2++++DE'
	SG2	
11	RFF	RFF+ADE:123ABC'
	SG3	
12	CTA	CTA+IC+:Meier'
13	COM	COM+001 248 324588:TE'
	SG3	
14	CTA	CTA+AD+:A. Brunetti'
15	COM	COM+X:TE'
	SG1	
16	NAD	NAD+SE+123ABC::92++X:X:X:X+X+X+AD'
	SG2	
17	RFF	RFF+ADE:98765'
	SG3	
18	CTA	CTA+IC+:M. Miller'
19	COM	COM+0049 30 97991433:FX'
	SG3	
20	CTA	CTA+AD+:B. Lee'
21	COM	COM+accounts@sales.com:EM'
	SG1	
22	NAD	NAD+PE+123ABC::92++Name1:Name2+Street1:Street2+City++12345+DE'
	SG2	
23	RFF	RFF+ADE:98765'
	SG3	
24	CTA	CTA+IC+:Eric Smith'

No = Consecutive segment number

No	Tag	Example
25	COM	COM+0044123456677:TE'
	SG1	
26	NAD	NAD+PL+123ABC::92++Name1:Name2+Street1:Street2+City++12345+DE'
	SG2	
27	RFF	RFF+ADE:44332'
	SG3	
28	CTA	CTA+IC+:E.T. Hoffmann'
29	COM	COM+001 248 343434:FX'
	SG4	
30	CUX	CUX+2:EUR:11'
	SG5	
31	DOC	DOC+380::6+2004/0098::Seller'
32	MOA	MOA+340:900:USD'
33	MOA	MOA+339:900:USD'
34	MOA	MOA+52:18:USD'
35	MOA	MOA+129:900:USD'
36	DTM	DTM+137:20041202:102'
37	DTM	DTM+10:20041110:102'
38	DTM	DTM+310:20041111:102'
39	DTM	DTM+11:20041110:102'
40	RFF	RFF+AIJ:ACC3321'
41	RFF	RFF+AV:XX-2004-12-01-877'
42	RFF	RFF+PE:Plant ABC'
43	RFF	RFF+BM:123-123:020'
	SG9	
44	INP	INP+5+2'
45	FTX	FTX+PMD+++Payment text ::::Payment text+en'
	SG10	
46	DLI	DLI+1+000400'
47	PIA	PIA+1+XZ-1324:IN+123-444:AB+99887766:MF+030:PL+2004-1654:PO'
48	UNS	UNS+S'
49	MOA	MOA+12:900:USD'
50	MOA	MOA+138:18:USD'
51	MOA	MOA+98:900:USD'
52	UNT	UNT+50+1'
53	UNZ	UNZ+1+144659'

No = Consecutive segment number