

GLOBAL DELFORP

BASED ON DELFOR - DELIVERY SCHEDULE MESSAGE
UN D.04A S3

Version: JAI 1.1
Variant: 2009 Vitesco Technologies
Issue date: 14.11.2010
Author: Vitesco Technologies

CONTENTS

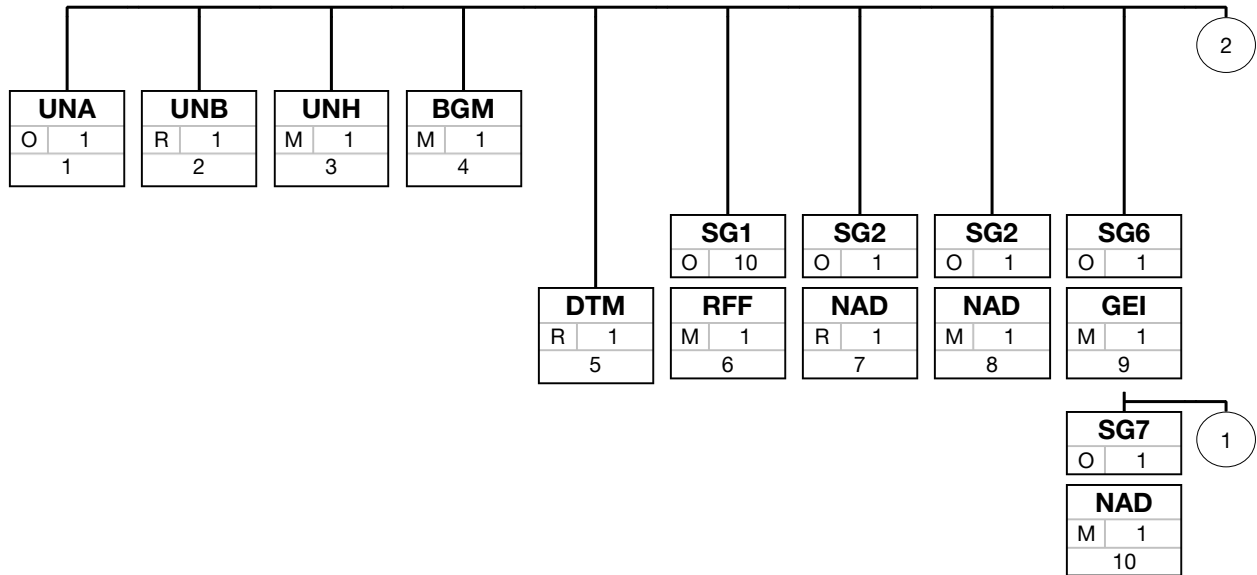
1 Message Structure	3
2 Branching Diagram	4
3 Segments	7
4 Example	34

1. STRUCTURE / TABLE OF CONTENTS

Tag	St	MaxOcc	Content	
UNA	O	1	Service string advice	UNA:+.? '
UNB	R	1	Interchange header	UNB+UNOC:3+OD012345:59:123+987654321:1 :X+071205:1446+144659+++++1'
UNH	M	1	Message header	UNH+1+DELFOR:D:04A:UN:GA0511'
BGM	M	1	Beginning of message	BGM+241::6:text+231234:02:A+5'
DTM	R	1	Document Issue Date	DTM+137:201001140000:203'
SG1	O	10	Blanket order number	
RFF	M	1	Reference	RFF+BO:4711:1'
SG2	O	1	Buyer	
NAD	R	1	Buyer's Name and Address	NAD+BY+AD001493::91?'+X:::X+OEM INC:X +Industry Road 13:X+Smalltown++12345+D E'
SG2	O	1	Seller	
NAD	M	1	Seller's Name and Address	NAD+SU+88012::92+ABC OEM:X:X:X:X+X:X+X :X+X+AE-AJ+X+DE'
SG6	O	1	Ship-to level	
GEI	M	1	Processing information	GEI+3+37'
SG7	O	1	Ship-to	
NAD	M	1	Ship-to	NAD+DP+082864711::92'
SG12	O	1	Scheduled Article Details	
LIN	M	1	Line item	LIN+1++A2C00042:BP'
PIA	O	1	Additional product id	PIA+1+640-W1/P:VP'
SG18	D	999	Scheduling data Firm	
SCC	M	1	Scheduling conditions	SCC+4'
SG19	R	999	Scheduled quantity	
QTY	M	1	Quantity	QTY+113:12500:PCE'
DTM	O	9	Scheduled date(s)	DTM+232:20100124:102'
UNT	M	1	Message trailer	UNT+122+123456'
UNZ	M	1	Interchange trailer	UNZ+1+144659'

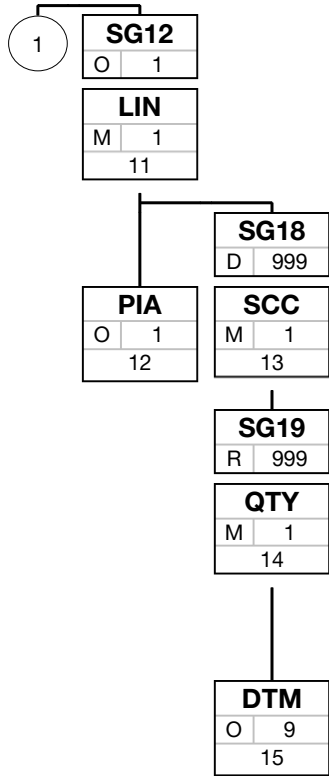
MaxOcc = Maximum occurrence of the segment/group St = Status: M=Mandatory, C=Conditional, R=Required, O=Optional,
 D=Dependent, A=Advised, N=Not used

2. BRANCHING DIAGRAM OF USED SEGMENTS/GROUPS



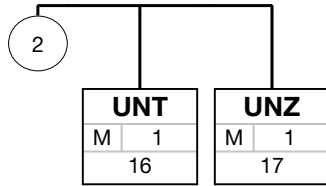
Tag
St MaxOcc
No

Tag = Segment/Group Tag
 St = Status: M=Mandatory, C=Conditional, R=Required, O=Optional, D=Dependent, A=Advised, N=Not used
 MaxOcc = Maximum occurrence of the segment/group
 No = Consecutive segment number



Tag
St MaxOcc
No

Tag = Segment/Group Tag
 St = Status: M=Mandatory, C=Conditional, R=Required, O=Optional, D=Dependent, A=Advised, N=Not used
 MaxOcc = Maximum occurrence of the segment/group
 No = Consecutive segment number



Tag
St MaxOcc
No

Tag = Segment/Group Tag

St = Status: M=Mandatory, C=Conditional, R=Required, O=Optional, D=Dependent, A=Advised, N=Not used

MaxOcc = Maximum occurrence of the segment/group

No = Consecutive segment number

3. SEGMENTS

Tag	St	MaxOcc	Name
UNA	O	1	Service string advice
		EDIFACT	vitesco
Tag	Name	St Format	St Format Usage / Remark
UNA1	Component data element separator	M an1	M an1 :
UNA2	Data element separator	M an1	M an1 +
UNA3	Decimal notation	M an1	M an1
UNA4	Release indicator	M an1	M an1 ?
UNA5	Reserved for future use	M an1	M an1
UNA6	Segment terminator	M an1	M an1 '

Remark:

Example: UNA:+.? '

MaxOcc = Maximum occurrence of the segment/group; St = Status: M=Mandatory, C=Conditional, R=Required, O=Optional, D=Dependent, A=Advised, N=Not used

3. SEGMENTS

Tag	St	MaxOcc	Name			
UNB	R	1	Interchange header			
			EDIFACT	vitesco		
Tag	Name	St	Format	St	Format	Usage / Remark
S001	Syntax identifier	M		M		
0001	Syntax identifier	M	a4	M	a4	UNOC UN/ECE-Zeichensatz C
0002	Syntax version number	M	n1	M	n1	3 Version 3
S002	Interchange sender	M		M		
0004	Sender identification	M	an..35	M	an..35	Unique ID of the sender in the data transmission network or system.
0007	Partner identification code qualifier	C	an..4	O	an..4	
0008	Address for reverse routing	C	an..14	O	an..14	Address of an application or internal system at sender's site to which answer messages should be routed.
S003	Interchange recipient	M		M		
0010	Recipient identification	M	an..35	M	an..35	Unique ID of the receiver in the data transmission network or system.
0007	Partner identification code qualifier	C	an..4	O	an..4	
0014	Routing address	C	an..14	O	an..14	Address of an application or internal system at recipient's site.
S004	Date/time of preparation	M		M		
0017	Date of preparation	M	n6	M	n6	Format YYMMDD
0019	Time of preparation	M	n4	M	n4	Format HHMM
0020	Interchange control reference	M	an..14	M	an..14	Unique ID of an interchange.
S005	Recipient's reference, password			N		
0022	Recipient's reference/password		an..14	N		Not used
0025	Recipient's reference/password qualifier		an2	N		Not used
0026	Application reference		an..14	N		Not used
0029	Processing priority code		a1	N		Not used
0031	Acknowledgement request		n1	N		Not used
0032	Communications agreement ID		an..35	N		Not used
0035	Test indicator	C	n1	O	n1	Only to be used if the interchange is for test purposes. Omit this data element for valid interchanges. 1 Interchange is a test

Remark:

Example: UNB+UNOC:3+OD012345:59:123+987654321:1:X+071205:1446+144659+++++1'

MaxOcc = Maximum occurrence of the segment/group; St = Status: M=Mandatory, C=Conditional, R=Required, O=Optional, D=Dependent, A=Advised, N=Not used

3. SEGMENTS

Tag	St	MaxOcc	Name			
UNH	M	1	Message header			
			EDIFACT	vitesco		
Tag	Name	St	Format	St	Format	Usage / Remark
0062	Message reference number	M	an..14	M	an..14	Message reference number should be unique for an agreed period of time. (Eg. Calendar year, model year)
S009	Message identifier	M		M		
0065	Message type	M	an..6	M	an..6	DELFOR Delivery schedule message
0052	Message version number	M	an..3	M	an..3	D Draft version/UN/EDIFACT Directory
0054	Message release number	M	an..3	M	an..3	04A Release 2004 - A
0051	Controlling agency	M	an..2	M	an..2	UN UN/CEFACT
0057	Association assigned code	C	an..6	R	an..6	Identification of the subset release, assigned by the responsible organisation (Odette, joint automotive initiative forum). GA0511 Joint Automotive Industry Forum DELFOR V1 (Revision 1)
0068	Common access reference		an..35	N		Not used
S010	Status of the transfer			N		
0070	Sequence of transfers		n..2	N		Not used
0073	First and last transfer		a1	N		Not used

Remark:

Example: UNH+1+DELFOR:D:04A:UN:GA0511'

MaxOcc = Maximum occurrence of the segment/group; St = Status: M=Mandatory, C=Conditional, R=Required, O=Optional, D=Dependent, A=Advised, N=Not used

3. SEGMENTS

Tag	St	MaxOcc	Name			
BGM	M	1	Beginning of message			
EDIFACT			vitesco			
Tag	Name	St	Format	St	Format	Usage / Remark
C002	Document/message name	C		R		
1001	Document name code	C	an..3	R	an..3	Code specifying the type or subtype of the business document. Use UN/EDIFACT code list 1001 and JAI code list JAI001 222 Spot order 224 Rush order 236 Lieferprog /VMI-flag 240 Delivery instructions 241 Delivery schedule Code 222 - message is used for a single delivery requirement and can be seen as individual delivery instruction for that item. It's assumed that a standing purchase order exists. Code 224 - exceptional delivery instruction for immediate additional requirements. All other (previously sent) scheduling data remain valid. Code 236 - message contains only forecasting figures Code 240 - message contains only firm instructions Code 241 - message contains forecasting and firm figures (combination of firm instructions and forecasting figures) P Response to forecast (Planned shipments)
1131	Code list identification code		an..17	N		Not used
3055	Code list responsible agency code	C	an..3	R	an..3	Code specifying the agency responsible for a code list. 8 EDIFICE
1000	Document name	C	an..35	O	an..35	Additional profile information concerning the delivery forecast / instruction
C106	Document/message identification	C		R		
1004	Document identifier	C	an..35	R	an..35	Unique identifier of a document. Synonym: document number
1056	Version identifier	C	an..9	O	an..9	Message version is used to indicate a version of each individual company's message specification, which is composed based on the global message.
1060	Revision identifier	C	an..6	O	an..6	Document revision is used to indicate a revision of each individual company's message specification which is composed based on the global specification.

MaxOcc = Maximum occurrence of the segment/group; St = Status: M=Mandatory, C=Conditional, R=Required, O=Optional, D=Dependent, A=Advised, N=Not used

1225	Message function code	C an..3	O	an..3	<p>Code indicating the function of the document.</p> <p>4 Change</p> <p>5 Replace</p> <p>9 Original</p> <p>Use of code 4 - change is not recommended and also code 5 should be restricted to replacements due to technical reasons. Any change in instruction content should be indicated at instruction level.</p>
------	-----------------------	---------	---	-------	------------------------------------------------------------------------------------------------------------------------------------------------------------------------------------------------------------------------------------------------------------------------------------------------------------------------------------------

MaxOcc = Maximum occurrence of the segment/group; St = Status: M=Mandatory, C=Conditional, R=Required, O=Optional, D=Dependent, A=Advised, N=Not used

EDIFACT			vitesco	
Tag	Name	St Format	St Format	Usage / Remark
4343	Response type code	an..3	N	Not used

Remark:

Example: BGM+241:::6:text+231234:02:A+5'

3. SEGMENTS

Tag	St	MaxOcc	Name	
DTM	R	1	Document Issue Date	
EDIFACT		vitesco		
Tag	Name	St Format	St Format	Usage / Remark
C507	Date/time/period	M	M	
2005	Date or time or period function code qualifier	M an..3	M an..3	137 Document issue date time
2380	Date or time or period text	C an..35	R an..35	Date on which a document or business signal was issued.
2379	Date or time or period format code	C an..3	R an..3	203 CCYYMMDDHHMM

Remark:

Example: DTM+137:201001140000:203'

MaxOcc = Maximum occurrence of the segment/group; St = Status: M=Mandatory, C=Conditional, R=Required, O=Optional, D=Dependent, A=Advised, N=Not used

3. SEGMENTS

Tag	St	MaxOcc	Name			
SG1	O	10	Blanket order number			
RFF	M	1	Reference			
EDIFACT			vitesco			
Tag	Name	St	Format	St	Format	Usage / Remark
C506	Reference	M		M		
1153	Reference code qualifier	M	an..3	M	an..3	Type of reference, coded BO Blanket order number
1154	Reference identifier	C	an..17	R	an..17	Unique identifier of a document. Synonym: document number or reference number
1156	Document line identifier	C	an..6	O	an..6	Sequential number assigned by the sender to identify a line item within a message or document.
4000	Reference version identifier		an..35	N		Not used
1060	Revision identifier		an..6	N		Not used

Remark:

Example: RFF+BO:4711:1'

MaxOcc = Maximum occurrence of the segment/group; St = Status: M=Mandatory, C=Conditional, R=Required, O=Optional, D=Dependent, A=Advised, N=Not used

3. SEGMENTS

Tag	St	MaxOcc	Name			
SG2	O	1	Buyer			
NAD	R	1	Buyer's Name and Address			
			EDIFACT	vitesco		
Tag	Name	St	Format	St	Format	Usage / Remark
3035	Party function code qualifier	M	an..3	M	an..3	BY Buyer Some companies refer to the buyer as the material release issuer. Both terms are used as synonyms in the DELFOR.
C082	Party identification details	C		O		
3039	Party identifier	M	an..35	M	an..35	Unique identification of a party by an ID. ORG-ID Buyer
1131	Code list identification code		an..17	N		Not used
3055	Code list responsible agency code	C	an..3	R	an..3	Code specifying the agency responsible for a code list. 91 Assigned by seller or seller's agent
C058	Name and address	C		O		
3124	Name and address description	M	an..35	M	an..35	A text line containing non-structured address information.
3124	Name and address description	C	an..35	O	an..35	see 3124#1
3124	Name and address description	C	an..35	O	an..35	see 3124#1
3124	Name and address description	C	an..35	O	an..35	see 3124#1
3124	Name and address description	C	an..35	O	an..35	see 3124#1
C080	Party name	C		O		
3036	Party name	M	an..35	M	an..35	Single text line for specification of a name
3036	Party name	C	an..35	O	an..35	see 3036#1
3036	Party name		an..35	N		Not used
3036	Party name		an..35	N		Not used
3036	Party name		an..35	N		Not used
3045	Party name format code		an..3	N		Not used
C059	Street	C		O		
3042	Street and number or post office box identifier	M	an..35	R	an..35	The name that identifies the location of a house or building: usually within a street as part of an address.
3042	Street and number or post office box identifier	C	an..35	O	an..35	see 3042#1
3042	Street and number or post office box identifier		an..35	N		Not used
3042	Street and number or post office box identifier		an..35	N		Not used
3164	City name	C	an..35	O	an..35	The name of the city, town, or village of this address.
C819	Country sub-entity details	C		O		

MaxOcc = Maximum occurrence of the segment/group; St = Status: M=Mandatory, C=Conditional, R=Required, O=Optional, D=Dependent, A=Advised, N=Not used

3229	Country sub-entity name code	C	an..9	R	an..9	State or region within a country. The use of UN LoCodes is recommended.
------	------------------------------	---	-------	---	-------	-------------------------------------------------------------------------

MaxOcc = Maximum occurrence of the segment/group; St = Status: M=Mandatory, C=Conditional, R=Required, O=Optional, D=Dependent, A=Advised, N=Not used

EDIFACT			vitesco		
Tag	Name	St Format	St	Format	Usage / Remark
1131	Code list identification code	an..17	N		Not used
3055	Code list responsible agency code	an..3	N		Not used
3228	Country sub-entity name	an..70	N		Not used
3251	Postal identification code	C an..17	O	an..17	The identifier for one or more properties according to the postal service of that country; a group of letters and/or numbers added to the postal address to assist in the sorting of mail.
3207	Country name code	C an..3	O	an..3	Provides the country part of an address using a code. Use ISO3166 two alpha code.

Remark:

Party to whom merchandise and/or service is sold.

Example: NAD+BY+AD001493:::91?'+X:::X+OEM INC:X+Industry Road 13:X+Smalltown++12345+DE'

3. SEGMENTS

Tag	St	MaxOcc	Name			
SG2	O	1	Seller			
			Seller			
NAD	M	1	Seller's Name and Address			
			EDIFACT	vitesco		
Tag	Name	St	Format	St	Format	Usage / Remark
3035	Party function code qualifier	M	an..3	M	an..3	SU Supplier
C082	Party identification details	C		R		
3039	Party identifier	M	an..35	M	an..35	Unique identification of a party by an ID. Supplier-Code
1131	Code list identification code		an..17	N		Not used
3055	Code list responsible agency code	C	an..3	R	an..3	Code specifying the agency responsible for a code list. 92 Assigned by buyer or buyer's agent
C058	Name and address	C		O		
3124	Name and address description	M	an..35	M	an..35	A text line containing non-structured address information.
3124	Name and address description	C	an..35	O	an..35	see 3124#1
3124	Name and address description	C	an..35	O	an..35	see 3124#1
3124	Name and address description	C	an..35	O	an..35	see 3124#1
3124	Name and address description	C	an..35	O	an..35	see 3124#1
C080	Party name	C		O		
3036	Party name	M	an..35	M	an..35	Single text line for specification of a name
3036	Party name	C	an..35	O	an..35	see 3036#1
3036	Party name		an..35	N		Not used
3036	Party name		an..35	N		Not used
3036	Party name		an..35	N		Not used
3045	Party name format code		an..3	N		Not used
C059	Street	C		O		
3042	Street and number or post office box identifier	M	an..35	M	an..35	The name that identifies the location of a house or building: usually within a street as part of an address.
3042	Street and number or post office box identifier	C	an..35	O	an..35	see 3042#1
3042	Street and number or post office box identifier		an..35	N		Not used
3042	Street and number or post office box identifier		an..35	N		Not used
3164	City name	C	an..35	O	an..35	The name of the city, town, or village of this address.
C819	Country sub-entity details	C		O		
3229	Country sub-entity name code	C	an..9	R	an..9	State or region within a country. The use of UN LoCodes is recommended.

MaxOcc = Maximum occurrence of the segment/group; St = Status: M=Mandatory, C=Conditional, R=Required, O=Optional, D=Dependent, A=Advised, N=Not used

EDIFACT			vitesco		
Tag	Name	St Format	St	Format	Usage / Remark
1131	Code list identification code	an..17	N		Not used
3055	Code list responsible agency code	an..3	N		Not used
3228	Country sub-entity name	an..70	N		Not used
3251	Postal identification code	C an..17	O	an..17	The identifier for one or more properties according to the postal service of that country; a group of letters and/or numbers added to the postal address to assist in the sorting of mail.
3207	Country name code	C an..3	O	an..3	Provides the country part of an address using a code. Use ISO3166 two alpha code.

Remark:

Party selling merchandise to a buyer.

Seller: The party who has liability to fulfill the contract. It is often used in the sense of seller and supplier and ship-from.

In Europe and Japan seller is preferred to identify the selling and supplying party. Supplier is only included when the party actually differs from the seller.

Example: NAD+SU+88012::92+ABC OEM:X:X:X:X+X:X+X:X+X+AE-AJ+X+DE'

MaxOcc = Maximum occurrence of the segment/group; St = Status: M=Mandatory, C=Conditional, R=Required, O=Optional, D=Dependent, A=Advised, N=Not used

3. SEGMENTS

Tag	St	MaxOcc	Name
SG6	O	1	Ship-to level
GEI	M	1	Processing information
EDIFACT			vitesco
Tag	Name	St Format	St Format Usage / Remark
9649	Processing information code qualifier	M an..3	M an..3 3 Scheduling type information
C012	Processing indicator	C	R
7365	Processing indicator description code	C an..3	R an..3 37 Complete information Code indicating the scope of a delivery schedule: complete information or only changed information. At this point, the code indicates that the delivery schedule information for a given Ship-to contains is either a complete schedule and replaces completely any previous information for that ship-to or contains only changes. If instruction update action code is given for the individual line items, only code 38 = replaced would be applicable if code 37 = complete information is given here. Code 36 =change information may be used together with codes 3 and 9 in Instruction Update Action code.
1131	Code list identification code	an..17	N Not used
3055	Code list responsible agency code	an..3	N Not used
7364	Processing indicator description	an..35	N Not used
7187	Process type description code	an..17	N Not used

Remark:

This level gives the delivery instruction details (schedule dates, scheduled quantities etc.) for one individual ship-to party e.g. a plant in a delivery instruction or forecast.

Example: GEI+3+37'

MaxOcc = Maximum occurrence of the segment/group; St = Status: M=Mandatory, C=Conditional, R=Required, O=Optional, D=Dependent, A=Advised, N=Not used

3. SEGMENTS

Tag	St	MaxOcc	Name			
SG7	O	1	Ship-to			
NAD	M	1	Ship-to			
			EDIFACT	vitesco		
Tag	Name	St	Format	St	Format	Usage / Remark
3035	Party function code qualifier	M	an..3	M	an..3	DP Delivery party
C082	Party identification details	C		O		
3039	Party identifier	M	an..35	M	an..35	Unique identification of a party by an ID. KO (Konsignation)
1131	Code list identification code		an..17	N		Not used
3055	Code list responsible agency code	C	an..3	R	an..3	92 Assigned by buyer or buyer's agent Code specifying the agency responsible for a code list.
C058	Name and address			N		
3124	Name and address description		an..35	N		Not used
3124	Name and address description		an..35	N		Not used
3124	Name and address description		an..35	N		Not used
3124	Name and address description		an..35	N		Not used
3124	Name and address description		an..35	N		Not used
C080	Party name			N		
3036	Party name		an..35	N		Not used
3036	Party name		an..35	N		Not used
3036	Party name		an..35	N		Not used
3036	Party name		an..35	N		Not used
3036	Party name		an..35	N		Not used
3045	Party name format code		an..3	N		Not used
C059	Street			N		
3042	Street and number or post office box identifier		an..35	N		Not used
3042	Street and number or post office box identifier		an..35	N		Not used
3042	Street and number or post office box identifier		an..35	N		Not used
3042	Street and number or post office box identifier		an..35	N		Not used
3164	City name		an..35	N		Not used
C819	Country sub-entity details			N		
3229	Country sub-entity name code		an..9	N		Not used
1131	Code list identification code		an..17	N		Not used

MaxOcc = Maximum occurrence of the segment/group; St = Status: M=Mandatory, C=Conditional, R=Required, O=Optional, D=Dependent, A=Advised, N=Not used

3055	Code list responsible agency	an..3	N		Not used
------	------------------------------	-------	---	--	----------

MaxOcc = Maximum occurrence of the segment/group; St = Status: M=Mandatory, C=Conditional, R=Required, O=Optional, D=Dependent, A=Advised, N=Not used

EDIFACT			vitesco		
Tag	Name	St Format	St	Format	Usage / Remark
	code				
3228	Country sub-entity name	an..70	N		Not used
3251	Postal identification code	an..17	N		Not used
3207	Country name code	an..3	N		Not used

Remark:

The party to which goods are to be shipped (consigned). Identifies a delivery point and its attached information when a delivery point method is being used. / plant

The Ship-to must be used, if there are multiple customer/buyer locations included in a DELFOR. In addition, in European business processes this ship-to party is often required even if it repeats the information given for the buyer already.

Example: NAD+DP+082864711:::92'

3. SEGMENTS

Tag	St	MaxOcc	Name			
SG12	O	1	Scheduled Article Details			
LIN	M	1	Line item			
EDIFACT			vitesco			
Tag	Name	St	Format	St	Format	Usage / Remark
1082	Line item identifier	C	an..6	O	an..6	1 fix value
1229	Action request/notification description code	C	an..3	O	an..3	1 Added 2 Deleted 9 Amendments 38 Replaced Code indicating action required as a result of the new instruction. Code 1 - individual schedule lines are added to the existing schedule. Code 2 - individual schedule lines are deleted from the existing schedule. Code 9 - Amendments - means the shedule lines of a previous forecast/ instruction are replaced only for the specific horizon indicated. All figures before and after remain valid. This requires an effective from and an effective to date on the header level. Code 38 - the complete previous forecast / instruction for this line item is replaced by new figures for the full horizon. The horizon boundaries are replaced as well. It implies that the old forecast is deleted. Example: old forecast was July to December, new forecast is July to November: all figures for July to November are replaced by the new ones and figures for December are to be deleted. See also remarks on Schedule Scope Code (DE 7365 in GEI segment). It is a recommended business practice to use at least one times a zero quantity schedule line for articles that have been part of previous schedules but are now no longer part of the schedule in the case of the 'complete replacement' situation.
C212	Item number identification	C		O		
7140	Item identifier	C	an..35	R	an..35	Information directly relating to the identification of an article by the buyer's identification system. Note: The term article is synonym with the term item. Since in Odette and in the globlal joint automotive projects the term article has been used, this naming convention has been continued. Part number
7143	Item type identification code	C	an..3	R	an..3	BP Buyer's part number
1131	Code list identification code		an..17	N		Not used

MaxOcc = Maximum occurrence of the segment/group; St = Status: M=Mandatory, C=Conditional, R=Required, O=Optional, D=Dependent, A=Advised, N=Not used

3055	Code list responsible agency code	an..3	N		Not used
------	-----------------------------------	-------	---	--	----------

MaxOcc = Maximum occurrence of the segment/group; St = Status: M=Mandatory, C=Conditional, R=Required, O=Optional, D=Dependent, A=Advised, N=Not used

EDIFACT			vitesco		
Tag	Name	St Format	St	Format	Usage / Remark
C829	Sub-line information		N		
5495	Sub-line indicator code	an..3	N		Not used
1082	Line item identifier	an..6	N		Not used
1222	Configuration level number	n..2	N		Not used
7083	Configuration operation code	an..3	N		Not used

Remark:

An article required by the buyer, which is scheduled to be delivered. All other segments in the detail section following the LIN segment refer to the line item.

Example: LIN+1++A2C00042:BP'

MaxOcc = Maximum occurrence of the segment/group; St = Status: M=Mandatory, C=Conditional, R=Required, O=Optional, D=Dependent, A=Advised, N=Not used

3. SEGMENTS

Tag	St	MaxOcc	Name			
SG12	O	1	Scheduled Article Details			
PIA	O	1	Additional product id			
			EDIFACT	vitesco		
Tag	Name	St	Format	St	Format	Usage / Remark
4347	Product identifier code qualifier	M	an..3	M	an..3	1 Additional identification
C212	Item number identification	M		M		
7140	Item identifier	C	an..35	R	an..35	Information directly relating to the identification of an item by the seller's identification system. Note: The term article is synonymous with the term item. Since in Odette and in the global joint automotive projects the term article has been used, this naming convention has been continued.
1131	Code list identification code		an..17	N		Not used
3055	Code list responsible agency code		an..3	N		Not used
C212	Item number identification			N		
7140	Item identifier		an..35	N		Not used
7143	Item type identification code		an..3	N		Not used
1131	Code list identification code		an..17	N		Not used
3055	Code list responsible agency code		an..3	N		Not used
C212	Item number identification			N		
7140	Item identifier		an..35	N		Not used
7143	Item type identification code		an..3	N		Not used
1131	Code list identification code		an..17	N		Not used
3055	Code list responsible agency code		an..3	N		Not used
C212	Item number identification			N		
7140	Item identifier		an..35	N		Not used
7143	Item type identification code		an..3	N		Not used
1131	Code list identification code		an..17	N		Not used
3055	Code list responsible agency code		an..3	N		Not used
C212	Item number identification			N		
7140	Item identifier		an..35	N		Not used
7143	Item type identification code		an..3	N		Not used
1131	Code list identification code		an..17	N		Not used
3055	Code list responsible agency code		an..3	N		Not used

MaxOcc = Maximum occurrence of the segment/group; St = Status: M=Mandatory, C=Conditional, R=Required, O=Optional, D=Dependent, A=Advised, N=Not used

Remark:

not used for PROACT

Example: PIA+1+640-W1/P'

3. SEGMENTS

Tag	St	MaxOcc	Name			
SG18	D	999	Scheduling data Firm			
			there is only used SCC+4/QTY+113/DTM+2			
SCC	M	1	Scheduling conditions			
EDIFACT			vitesco			
Tag	Name	St	Format	St	Format	Usage / Remark
4017	Delivery plan commitment level code	M	an..3	M	an..3	Code indicating the level of commitment of a delivery instruction. 1 Firm 2 Commitment for manufacturing and material 3 Commitment for material 4 Planning/forecast
4493	Delivery instruction code		an..3	N		Not used
C329	Pattern description			N		
2013	Frequency code		an..3	N		Not used
2015	Despatch pattern code		an..3	N		Not used
2017	Despatch pattern timing code		an..3	N		Not used

Remark:

Information providing dates/times/periods of deliveries, quantity, and additional references valid for the item.

Delivery Date and Delivery Period shall be used mutually exclusive.

Example: SCC+4'

MaxOcc = Maximum occurrence of the segment/group; St = Status: M=Mandatory, C=Conditional, R=Required, O=Optional, D=Dependent, A=Advised, N=Not used

3. SEGMENTS

Tag	St	MaxOcc	Name			
SG19	R	999	Scheduled quantity			
QTY	M	1	Quantity			
EDIFACT			vitesco			
Tag	Name	St	Format	St	Format	Usage / Remark
C186	Quantity details	M		M		113 Quantity to be delivered Code identifying the reason of the delivery instruction. In North America, code 1 is used to indicate the forecast nature of this quantity. However, in Europe usually only the SCC indicates whether it is forecast or firm delivery instruction. Code 1 and 113 are synonyms in this sense. Codes 18, 21, 143, and 167 are considered as auxiliary information, which has to be preceded by actual delivery requirements. Code 18 - a quantity in a given past or previous period - for statistical or trend reasons Code 21 - is referring to the forecasted figure in comparison with the actual instructed delivery quantity. Code 143- in case of a run out process, the remaining quantity up to the end of production is indicated Code 167 - accumulation of all individual schedule lines for this article
6063	Quantity type code qualifier	M	an..3	M	an..3	
6060	Quantity	M	n..15	M	n..15	Quantity scheduled by the buyer (material release issuer) to be delivered at a specified point in time or within a period. Planned delivery quantity
6411	Measurement unit code	C	an..8	C	an..8	Code specifying the unit of measurement, use UN/ECE Recommendation 20, Common code.

Remark:

Example: QTY+113:12500:PCE'

MaxOcc = Maximum occurrence of the segment/group; St = Status: M=Mandatory, C=Conditional, R=Required, O=Optional, D=Dependent, A=Advised, N=Not used

3. SEGMENTS

Tag	St	MaxOcc	Name
SG19	R	999	Scheduled quantity
DTM	O	9	Scheduled date(s)
EDIFACT		vitesco	
Tag	Name	St Format	St Format Usage / Remark
C507	Date/time/period	M	M
2005	Date or time or period function code qualifier	M an..3	R an..3
2380	Date or time or period text	C an..35	R an..35
2379	Date or time or period format code	C an..3	R an..3
<p>232 Transport means arrival date/time, scheduled</p> <p>Date / period Date of delivery - if multiple delivery quantities are transmitted for the same arrival day these delivery quantities are summed up and the sum of quantities is booked for the day</p> <p>102 CCYYMMDD</p>			

Remark:

Example: DTM+232:20100124:102'

MaxOcc = Maximum occurrence of the segment/group; St = Status: M=Mandatory, C=Conditional, R=Required, O=Optional, D=Dependent, A=Advised, N=Not used

3. SEGMENTS

Tag	St	MaxOcc	Name	
UNT	M	1	Message trailer	
EDIFACT		vitesco		
Tag	Name	St Format	St Format	Usage / Remark
0074	Number of segments in the message	M n..6	M n..6	
0062	Message reference number	M an..14	M an..14	

Remark:

Example: UNT+122+123456'

MaxOcc = Maximum occurrence of the segment/group; St = Status: M=Mandatory, C=Conditional, R=Required, O=Optional, D=Dependent, A=Advised, N=Not used

3. SEGMENTS

Tag	St	MaxOcc	Name			
UNZ	M	1	Interchange trailer			
EDIFACT		vitesco				
Tag	Name	St	Format	St	Format	Usage / Remark
0036	Interchange control count	M	n..6	M	n..6	
0020	Interchange control reference	M	an..14	M	an..14	Repetition of the value transmitted in UNB data element 0020.

Remark:

Example: UNZ+1+144659'

MaxOcc = Maximum occurrence of the segment/group; St = Status: M=Mandatory, C=Conditional, R=Required, O=Optional, D=Dependent, A=Advised, N=Not used

4. EXAMPLE MESSAGE

No	Tag	Example
01	UNA	UNA:+.? '
02	UNB	UNB+UNOC:3+OD012345:59:123+987654321:1:X+071205:1446+144659+++++1'
03	UNH	UNH+1+DELFOR:D:04A:UN:GA0511'
04	BGM	BGM+241::6:text+231234:02:A+5'
05	DTM	DTM+137:201001140000:203'
	SG1	
06	RFF	RFF+BO:4711:1'
	SG2	
07	NAD	NAD+BY+AD001493::91?'+X:::X+OEM INC:X+Industry Road 13:X+Smalltown++1 2345+DE'
	SG2	
08	NAD	NAD+SU+88012::92+ABC OEM:X:X:X:X:X:X:X+X+AE-AJ+X+DE'
	SG6	
09	GEI	GEI+3+37'
	SG7	
10	NAD	NAD+DP+082864711::92'
	SG12	
11	LIN	LIN+1++A2C00042:BP'
12	PIA	PIA+1+640-W1/P:VP'
	SG18	
13	SCC	SCC+4'
	SG19	
14	QTY	QTY+113:12500:PCE'
15	DTM	DTM+232:20100124:102'
16	UNT	UNT+122+123456'
17	UNZ	UNZ+1+144659'

No = Consecutive segment number